

說明:

此產品為 DC 9-12V 供電，適用於 LED 燈帶、LED 燈管、LED 燈板等。產品採用高品質材料，具有防水、防塵、防電擊等特點。產品安裝簡便，使用壽命長，是您室內、室外照明的理想選擇。

產品規格：NO. NC LED 產品規格：LED 產品規格：LED 產品規格：LED 產品規格：LED。

產品尺寸	86 × 86 × 18 mm
工作電壓	DC9-12V
最大電流	≤ 600 mA
工作溫度	-30°C ~ 60°C
濕度	20% ~ 80%
淨重	82 g

# Specification

Voltage: DC9-DC12V

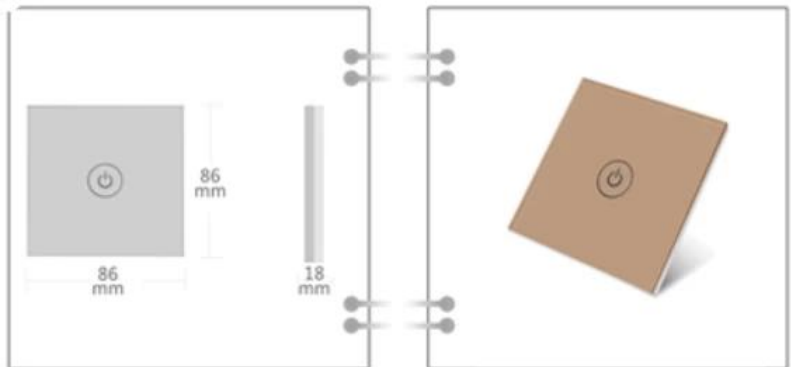
Temperature: -30°C~60°C

Dimension: 86\*86\*18mm

Current: <600mA

Humidity: 20%-80%

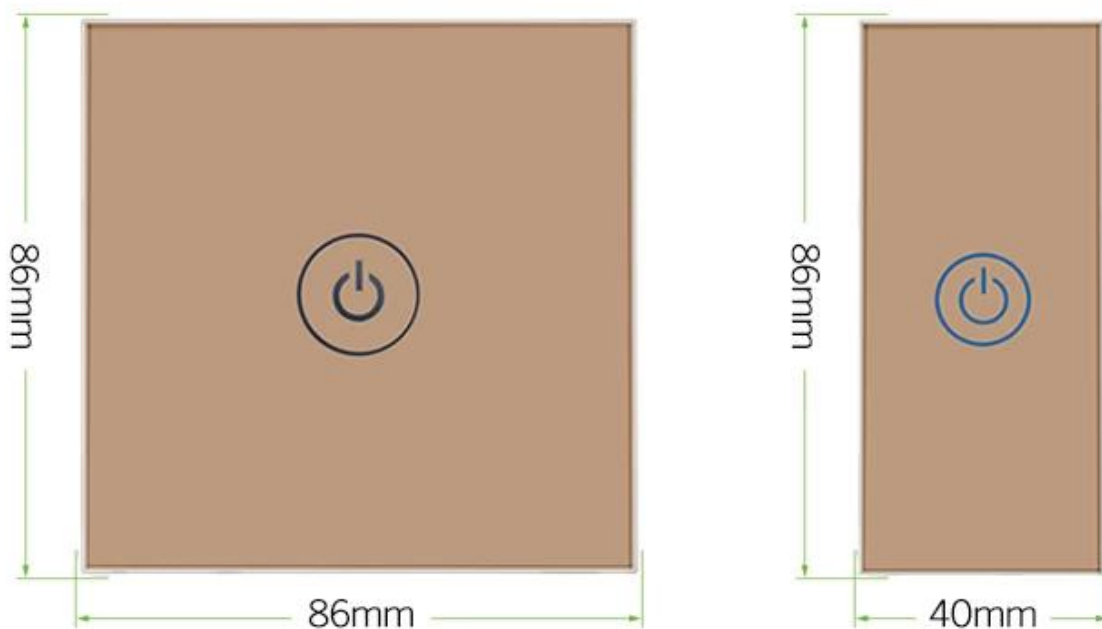
Gross Weight: 82g



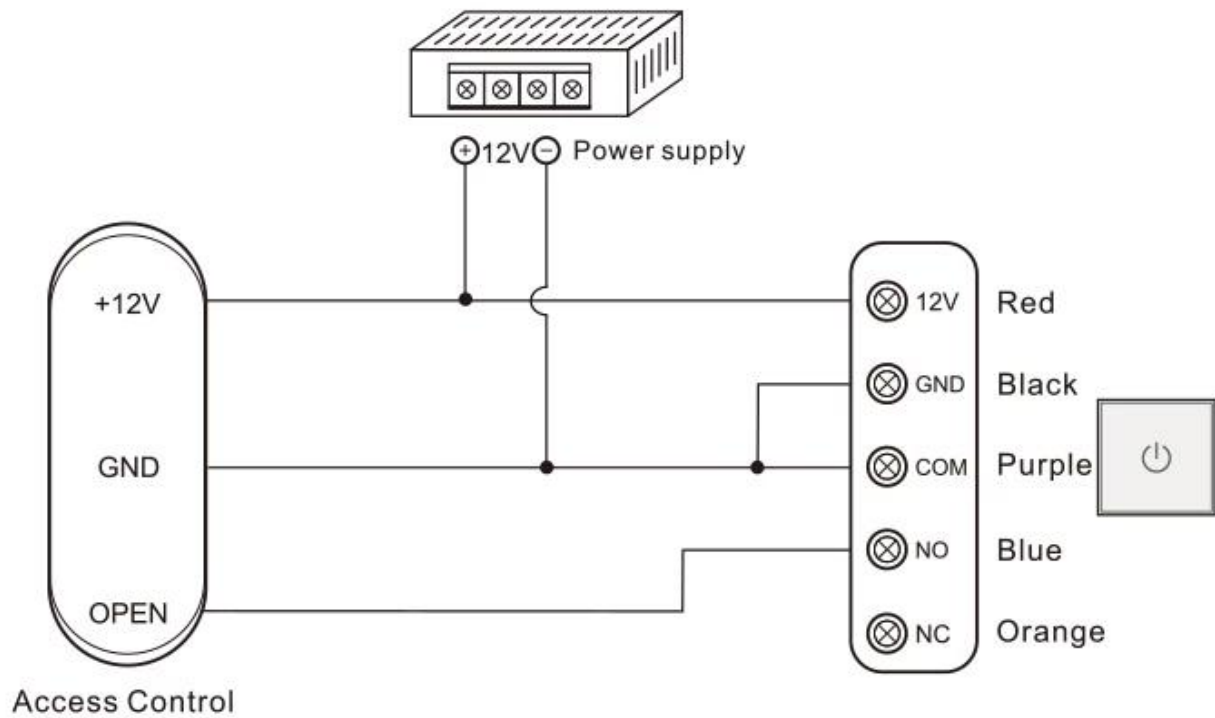
## Description

This product is a capacitive touch sensitive door access switch, with automatic environment temperature and humidity Adaptability, not affected by weather change sensitivity and stability. Output when touching Normally open or normally closed switch signal, indicator light display: green in standby, touch The light is red.

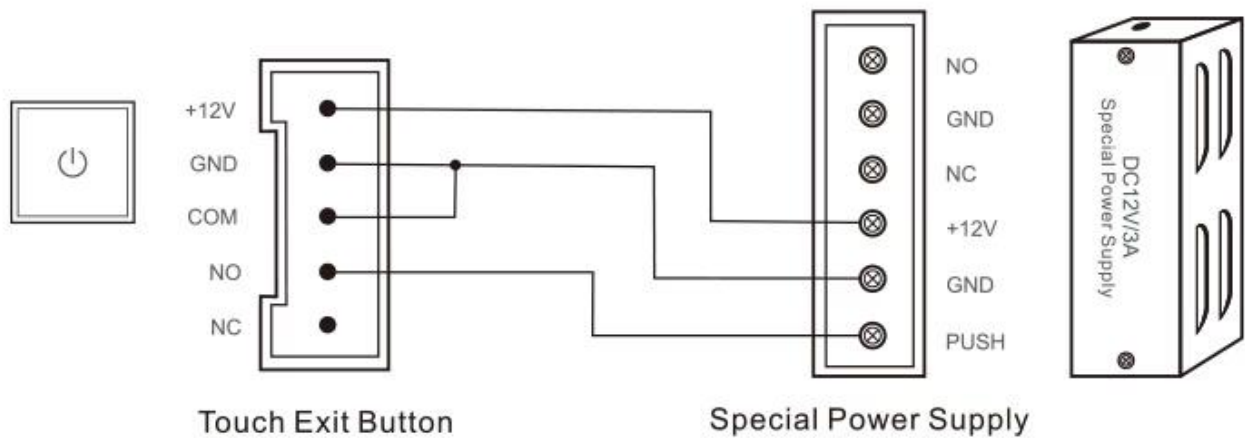
### Dimensions(mm)



Common power supply diagram:



Special power supply diagram:







□□□□ □□ □□□□ □□ Realese □□□□□

K2B: 86 \* 86 □□

□□□□ □□□□□□ □□□□ □□ Realese □□  
□□□□□

K9A: 115 \* 40 □□□

□□□□□□□ □□□□□□□) □□□□□ □□□□□ □□

□□□□□ □ NO / NC) K5B: 86 \* 86 □□





1. 86 \* 86 (mm) 86 \* 86 (mm) 86 \* 86 (mm)  
 2. 86 \* 86 (mm) 86 \* 86 (mm) 86 \* 86 (mm)  
 3. 86 \* 86 (mm) 86 \* 86 (mm) 86 \* 86 (mm)

86 \* 86 (mm)

1. 86 \* 86 (mm) 86 \* 86 (mm) 86 \* 86 (mm)
2. 86 \* 86 (mm) 86 \* 86 (mm) 86 \* 86 (mm)
3. OEM / ODM 86 \* 86 (mm)

0000000 0 0000000 000000 0 4 fashin 0 0000000 00000000 00000 0 000000000 0000000 000000000  
:000000 000 00 00000 0 5

00000000 000 0000000 00 00000 0000000000 00000 000 00000 0 (1)

000000 000 000 00000 000000 00000 000 0000000000 00000 0 (2)

00000000 00 0000000 0000000 0000 000 000 000000 3-2 000000 0000000000 00000 000000 0 (3)

00000000 000000 00000 00000 30 ~ 7 0 0000000 000000 00000 5 ~ 1 000000 : 00000 000000 0 6

000 000000 000000 000000 000000 :000000 0 7: T / T 0 0000 0000 0 0000000 0000000

00 000 000000 000000 :000000 0 8 DHL 0 FEDEX 0 TNT 0 UPS 0 EMS 0 Forwarder by SEA 0 By AIR 0 000000 000000

00 000000 000000 00000 000000.



**00000 0000000 00000000 0000 .1 :**

0000 0 00000 0000 0000 000 000000 00 000000 000 000000000000 0000000 0000 00000000000 0000 000000000 00000 :  
.000000 0000 0000 000 0000000000 00000000 0000000 0 00000 000000

**000000000 0000000 00 00000 .2 :**

0: T / T 0 .00000000 00000000 0 0000 0000

00000000 00 00000 00 000000 00000 000 0000000000 00000000 00000 (DHL 0 FedEx 0 TNT UPS 0 (0000

**00000000 00 00000000 00000 0000 00000000 00000000 0000 .3 :**

.00000 00 0000000000 0000000 00000000 0000000 00000 00 00000 00 00000000 :0

**0000000000 0000 00000000 0000000 00 00000000 0000 .4 :**

00000 100000 0000000 0000000 15-70 00000 5000 000000 00000 7-3 00000 .0000000 0000 0000000 0000 :0

**0000000000 0000000 00000 00 .5 :**

0000000 .0000000000 0000000000 00000000 0000000 0000 00 0000 0 000000000 000000000 00000 0000000 0000 :0 OEM  
.0000000 00000

**000000 00 00000000 00000 0000 00 .6 :**

000000000 0000000000 000000000 00000 00 000000 0000 RFID / 000000000 NFC / 00000000 00000000 RFID / 00000 RFID  
0 00000 RFID 000000 20 00 0000000 0000000 00 00000000 00 00000000 00000000.