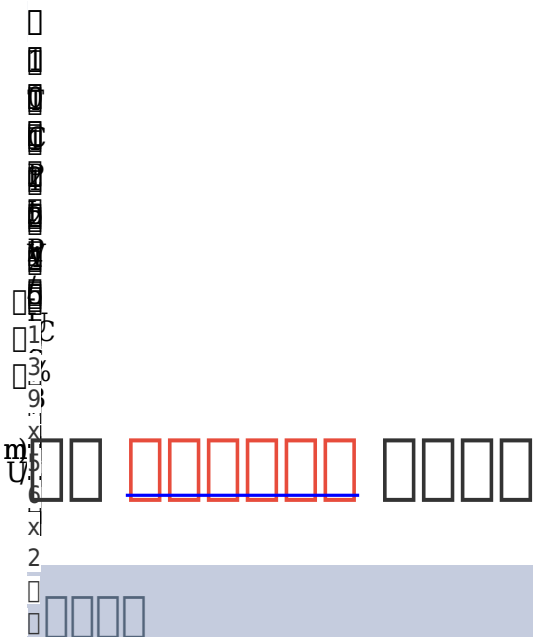




10,000 DC  
12-24V Wiegand 26

- > Card type: EM
- > Mental backlight keypad
- > Contains card reader mode. The transmission format could be adjusted by user.
- > Supports different access ways: Entry by Card Code or Entry by multi cards
- > Support master added card and deleted card
- > User capacity: 10,000 users

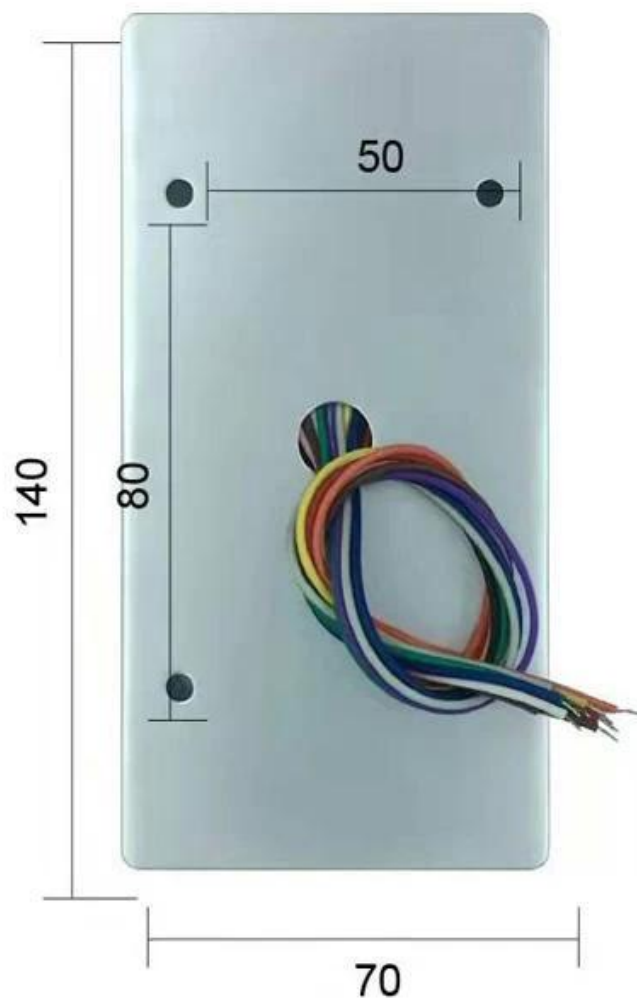


1. 1. 2. 3. 4. 5. 6. 7. 8.
2. ACM-209J
3. 1. 2. 3.
4. 0.1
5. 1000

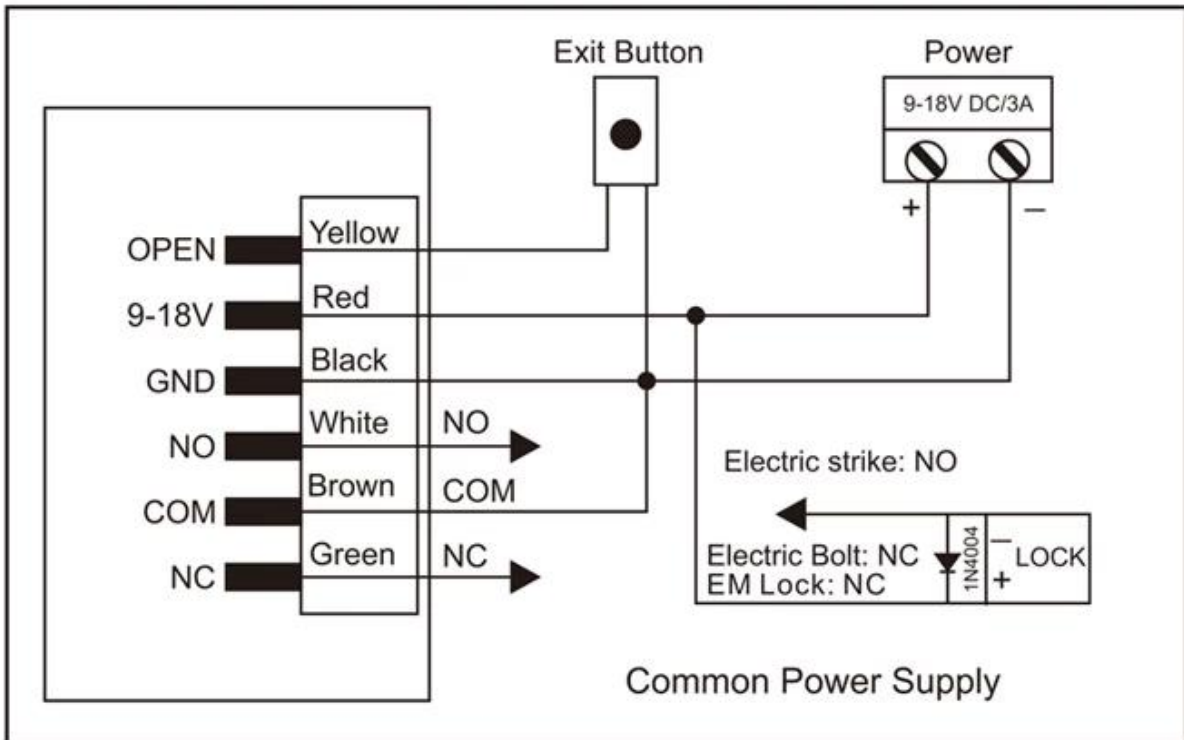


ACM-209J

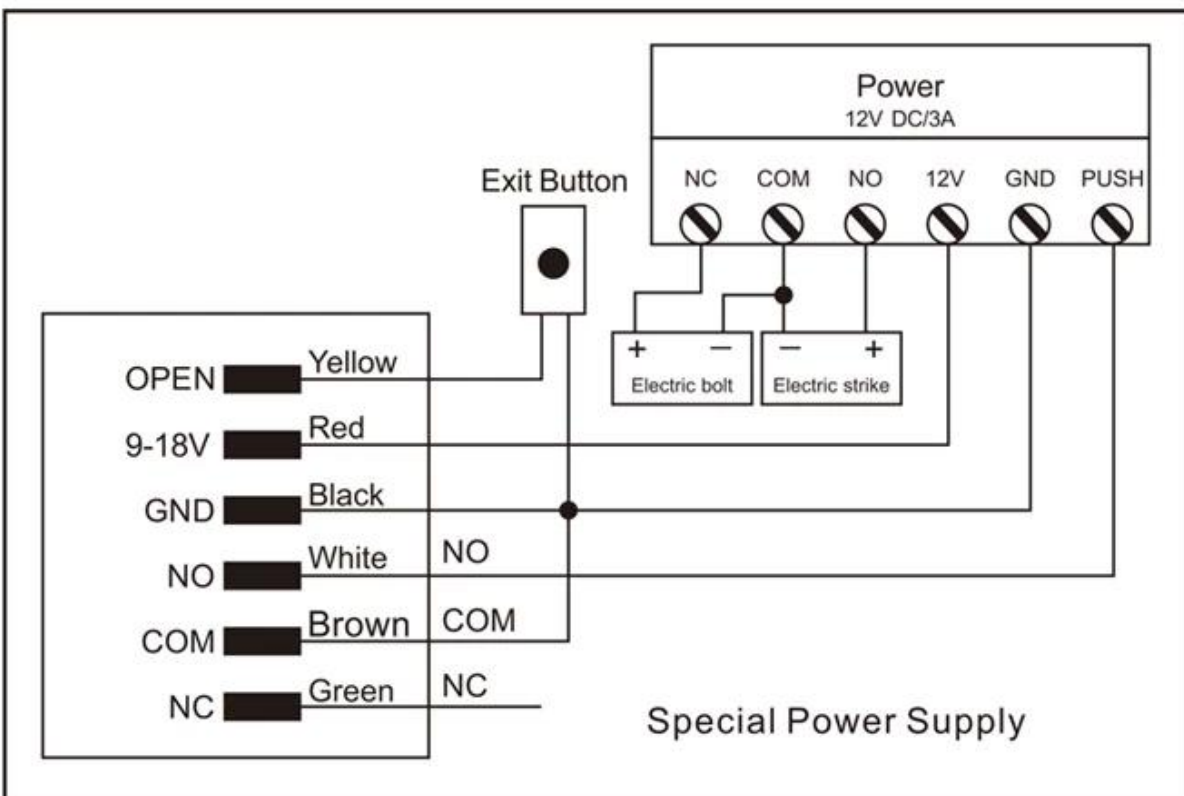




## Common Power Supply



## Special Power Supply





□□□□

□□□DHL□FEDEX□TNT□UPS□EMS□□□□□□□□□□□□□□□□  
 □□□□□□□□□□□□□□  
 □□  
 □□□□□□: □□□□

□□□□□□

□□□□□□□□□□□□□□□□□□□□□□□□□□□□□□□□





**ACM223**

RFID EM 125/4000 US  
125Khz

**ACM209-NW**

RFID 125Khz  
EM

**ACM208**

RFID





### ACM210

RFID

### ACM225

RFID 125Khz EM

### ACM211B

RFID

- 1) 24
- 2)
- 3) OEM/ODM
- 4)
- 5)
- 1)
- 2)
- 3) 2-3
- 6) : 1 ~ 5 7 ~ 30
- 7) T/T Paypal
- 8) DHL FEDEX TNT UPS EMS

**1.**

**2.**  
T/T Paypal  
DHL FedEx TNT UPS

**3.**  
A:

**4.**

A: 5000 3-7 100,000 7-15

5.

A: OEM

6.

20 RFID/NFC RFID RFID RFID



# 20+ YEARS EXPERIENCE OEM & ODM

ACCESS CONTROL SYSTEMS ONE STOP SOLUTION PROVIDER

Goldbridge is Top 10 China Manufacture On Alibaba, Specializes In Provide Kinds Of RFID/NFC Cards, FID Tags, RFID Card Reader, UHF Reader, Access Control System, Electromagnetic Locks, etc Since 1999



Customized Services



Quality Assurance



Fast Delivery



Best After-Sales Service

## OUR FACTORY



- **Access Control and RFID Reader Production Line:**
- Monthly production quantity is up to 50,000pcs, We are Provides OEM&ODM services including product research and development, LOGO printing, customized.etc



- **Electromagnetic lock & Smart Door Lock Production Line :**
- Monthly production quantity is up to 100,000pcs ,
- Our factory is built with modern manufacture environment, facilities, equipment and professional operation technicians.
- Goldbridge Provides OEM&ODM services including product research and development, LOGO printing and product box customized.



- **RFID & NFC Cards & Tags Production Line :**
- RFID Tag, Wristband, Keyfob: 11,000,000pcs (monthly output)
- Four Production Lines For Smart Card, PVC Card, Prelam Sheet: 20,000,000pcs (monthly output)
- Goldbridge Provides OEM&ODM services for LOGO printing, development, customized.

## ADVANTAGE



### WHY CHOOSE US?

- 1 **FAST DELIVERY** Faster delivery by air by express. (DHL,UPS or Fedex)
- 2 **LONG HISTORY** 20 years experience in RFID & Access Control industry
- 3 **OEM ACCEPTABLE** 20 years OEM&ODM experience for 1000 + VIP client from US and Europe
- 4 **HIGH QUALITY** Design and manufacture high quality produtcs with 30 R&D; engineers.

## APPLICATION

Bus, supermarket,school, government, hospital, factory



## CERTIFICATE



