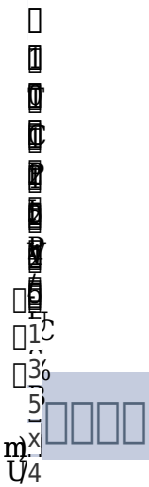




Wifi **Wiegand 1D 2D IC /NFC**
/Bluetooth App

- > Read 125KHz EM / HID / 13.56MHz /
- > Metal backlight keypad
- > Contains card reader mode. The transmission format could be adjusted by user.
- > Supports different access ways: Entry by Card Code or Entry by multi cards
- > Support master added card and deleted card
- > User capacity: 10,000 users



- ACM-209K LDR
- 1.
- 2.
- 3. 4. 1. 2. 3.
- 5. 0.1 6. 1000

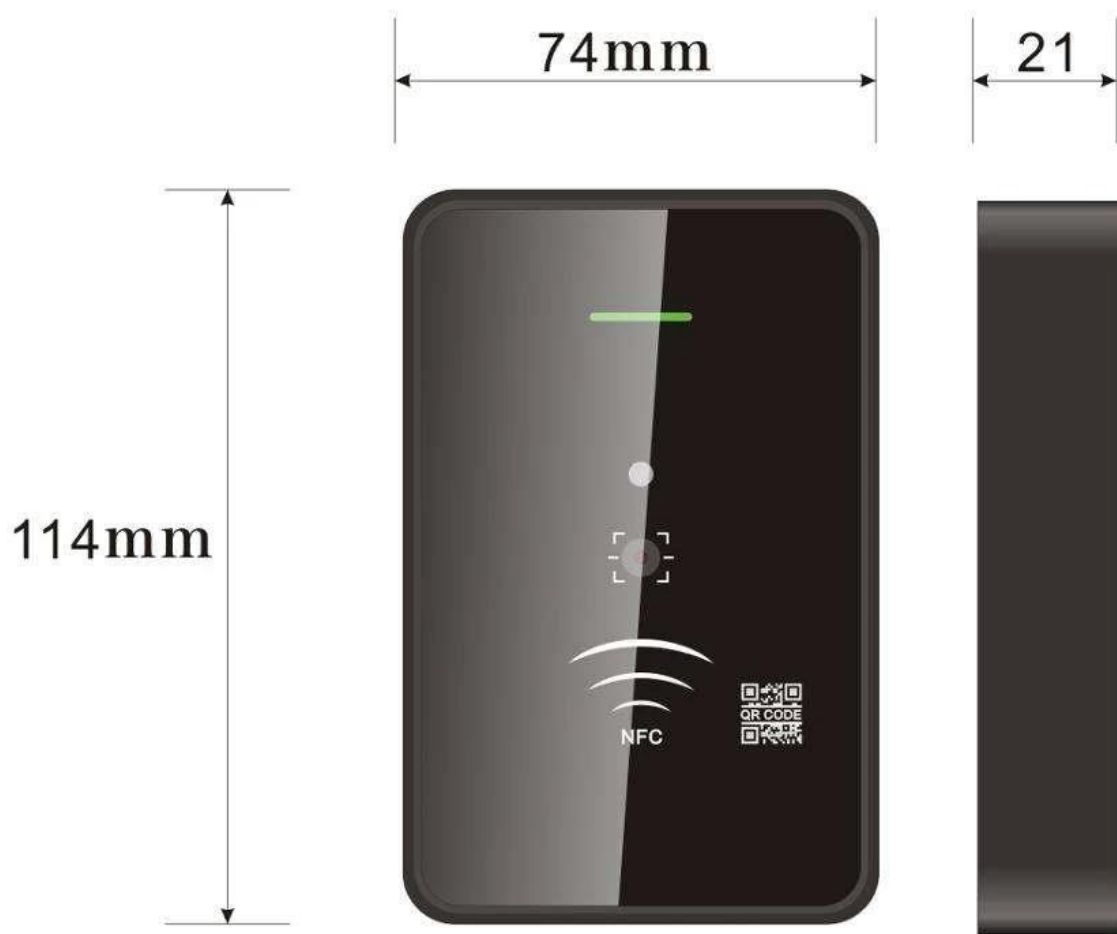
7. 00000000000000000000000000000000

8. 000000000000

0000

Wifi 00000 Wiegand 1D 2D IC /NFC 0000 /Bluetooth App 000000 000000000000







THREE METHODS



Fingerprint



Password

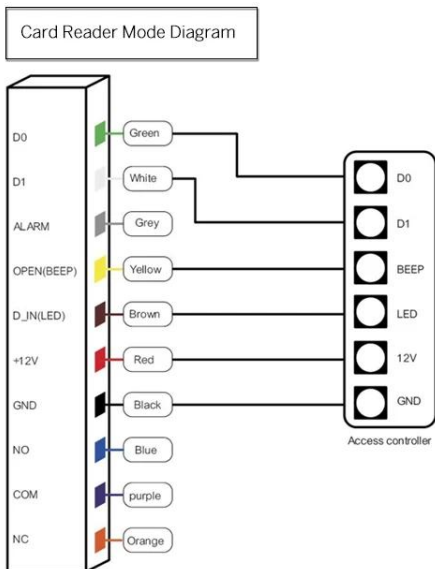
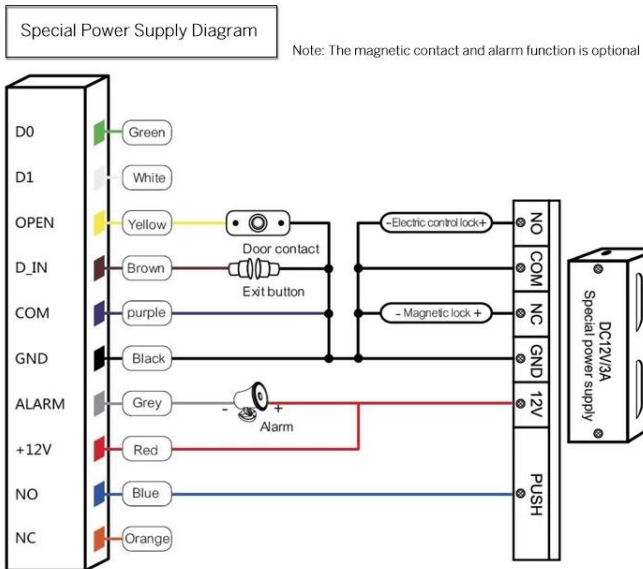
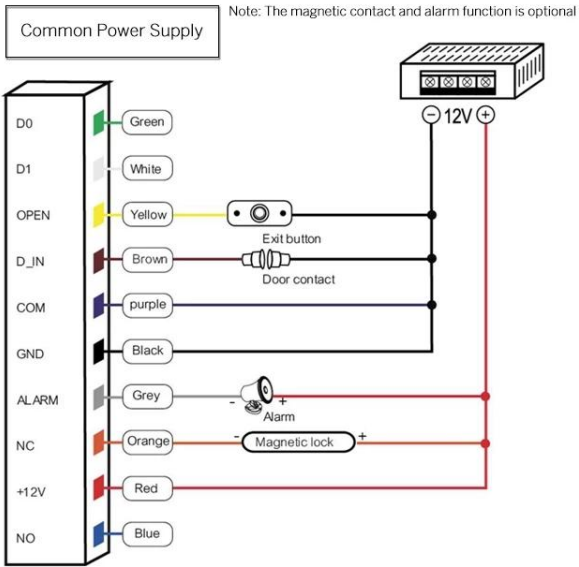


Card

Dimensions(mm)



WIRING DIAGRAM





□□□□

□□□DHL□FEDEX□TNT□UPS□EMS□□□□□□□□□□□□□□□□
□□□□□□□□□□□□□□□□

□□

□□□□□□: □□□□

□□□□□□

□□□□□□□□□□□□□□□□□□□□□□□□□□□□





ACM223

RFID EM 125/4000 US
125Khz

ACM209-NW

RFID 125Khz
EM

ACM208

RFID





ACM210

RFID

ACM225

RFID 125Khz EM

ACM211B

RFID

1 24

2

3 OEM/ODM

4

5

1)

2)

3) 2-3

6 : 1 ~ 5 7 ~ 30

7 T/T Paypal

8 DHL FEDEX TNT UPS EMS

Q: 1.

Q: 2.

Q: T/T Paypal

DHL FedEx TNT UPS

Q: 3.

A:

Q: 4. 100,000 5000 3-7 100,000 7-15

A: 100,000 5000 3-7 100,000 7-15

Q: 5. OEM

A: OEM

Q: 6. 20 RFID/NFC/Rfid/Rfid

A: 20 RFID/NFC/Rfid/Rfid