












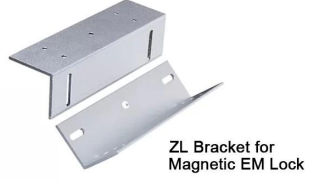

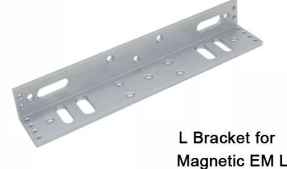




**Re: Door Electromagnetic Magnetic EM Lock**

				
<b>Model: M60</b> Magnetic lock 60kg/120lbs	<b>Model: YM180</b> Magnetic lock 180kg/300lbs	<b>Model: M280 -2Pin</b> Magnetic lock 280kg/600lbs	<b>Model: M350 -2Pin</b> Magnetic lock 350kgs/800lbs	<b>Model: M500 -2Pin</b> Magnetic lock 500kgs/1200lbs
				
<b>Model: M180N -2Pin</b> Mortise Concealed EM lock 180kgs/300lbs	<b>Model: M280N -2Pin</b> Mortise Concealed EM lock 280kgs/600lbs	<b>Model: M350N -2Pin</b> Mortise Concealed EM lock 350kgs/800lbs	<b>Model: M500N -2Pin</b> Mortise Concealed EM lock 500kg/1200lbs	<b>Model: ACM-280W</b> Outdoor Waterproof Magnetic lock 280kgs/600lbs
				
<b>Model: M180D</b> Double Door 180kgs/300lbs Magnetic lock	<b>Model: M280D</b> Double Door 280kgs/600lbs Magnetic lock	<b>Model: M350D</b> Double Door 350kgs/800lbs Magnetic lock	<b>Model: M500D</b> Double Door 500kgs/1200lbs Magnetic lock	<b>Model: ACM-500W</b> Outdoor Waterproof Magnetic lock 500kgs/1200lbs

**RE: Bracket used for Above Brand Magnetic EM Lock**

	<table border="1"> <thead> <tr> <th>Item#</th> <th>ZL Bracket Dimension</th> </tr> </thead> <tbody> <tr> <td>M180ZL</td> <td>Z bracket: 140*36*36mm</td> </tr> <tr> <td>M280ZL M350ZL</td> <td>L bracket: 250*50*30mm</td> </tr> <tr> <td>M500ZL</td> <td>Z= 185*70*63mm</td> </tr> </tbody> </table>	Item#	ZL Bracket Dimension	M180ZL	Z bracket: 140*36*36mm	M280ZL M350ZL	L bracket: 250*50*30mm	M500ZL	Z= 185*70*63mm		<table border="1"> <thead> <tr> <th>Item#</th> <th>ZL Bracket Dimension</th> </tr> </thead> <tbody> <tr> <td>M180Z</td> <td>Z bracket: 140*36*36mm</td> </tr> <tr> <td>M280Z M350Z</td> <td>Z bracket: 180*50*50mm</td> </tr> <tr> <td>M500Z</td> <td>Z= 185*70*63mm</td> </tr> </tbody> </table>	Item#	ZL Bracket Dimension	M180Z	Z bracket: 140*36*36mm	M280Z M350Z	Z bracket: 180*50*50mm	M500Z	Z= 185*70*63mm
Item#	ZL Bracket Dimension																		
M180ZL	Z bracket: 140*36*36mm																		
M280ZL M350ZL	L bracket: 250*50*30mm																		
M500ZL	Z= 185*70*63mm																		
Item#	ZL Bracket Dimension																		
M180Z	Z bracket: 140*36*36mm																		
M280Z M350Z	Z bracket: 180*50*50mm																		
M500Z	Z= 185*70*63mm																		
	<table border="1"> <thead> <tr> <th>Item#</th> <th>U Bracket Dimension</th> </tr> </thead> <tbody> <tr> <td>M180U</td> <td>U bracket: 182*45*28mm</td> </tr> <tr> <td>M280U M350U</td> <td>L bracket: 140*33*25.5mm</td> </tr> </tbody> </table>	Item#	U Bracket Dimension	M180U	U bracket: 182*45*28mm	M280U M350U	L bracket: 140*33*25.5mm		<table border="1"> <thead> <tr> <th>Item#</th> <th>U Bracket Dimension</th> </tr> </thead> <tbody> <tr> <td>M180L</td> <td>L bracket: 168*38*24mm</td> </tr> <tr> <td>M280L M350L</td> <td>L bracket: 250*50*30mm</td> </tr> <tr> <td>M280DL</td> <td>L bracket For double door magnetic lock 600lbs</td> </tr> <tr> <td>M500L</td> <td>L=285*73*45mm</td> </tr> </tbody> </table>	Item#	U Bracket Dimension	M180L	L bracket: 168*38*24mm	M280L M350L	L bracket: 250*50*30mm	M280DL	L bracket For double door magnetic lock 600lbs	M500L	L=285*73*45mm
Item#	U Bracket Dimension																		
M180U	U bracket: 182*45*28mm																		
M280U M350U	L bracket: 140*33*25.5mm																		
Item#	U Bracket Dimension																		
M180L	L bracket: 168*38*24mm																		
M280L M350L	L bracket: 250*50*30mm																		
M280DL	L bracket For double door magnetic lock 600lbs																		
M500L	L=285*73*45mm																		

Whatsapp: +86-14554918707 , E-mail: lilyjiang\_06@163.com, sales@goldbridgesz.com ; www.goldbridgesz.com

For More Products Price List and informations , Please contact our sales at sales@goldbridgesz.com, thank you !

# PRODUCT CATEGORY

## RFID / NFC SMART CARD

Be customized according to you need

Fit for systems of transport, E-payment, Access Control, Event, Loyalty, ect.



[View More](#)

## ACCESS CONTROL SYSTEM



Security for All: Network Access Control Board ,Standalone Access Controller, Biometric Access Control, T&A time attendance, Facial Access Control

[View More](#)

## RFID & LONG RANGE UHF READER

20+ Years of professional Experience in production of rfid uhf hardware

- UHF desktop reader writer,
- UHF integrated reader,
- UHF R2000 fixed reader,



[View More](#)

## ELECTRONMAGNETIC LOCK

Professional Electric Locks Manufacturer In China

Electromagnetic lock with OEM & ODM since 1999 60KG /110KG /180KG /280KG /350KG /500KG



[View More](#)

