



**10,000** □□ □□ □ **DC 12-24V Wiegand**

**26** □□□ □□□□ □□ □□ □□□□□ □□□ □□□ □□□

□

- > Card type: EM
- > Mental backlight keypad
- > Contains card reader mode. The transmission format could be adjusted by user.
- > Supports different access ways: Entry by Card Code or Entry by multi cards
- > Support master added card and deleted card
- > User capacity: 10,000 users

□

□

□

□

□

□

□

□

□

□

□

□

□

□

□

□

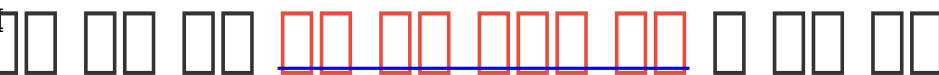
□

□

□

□

□



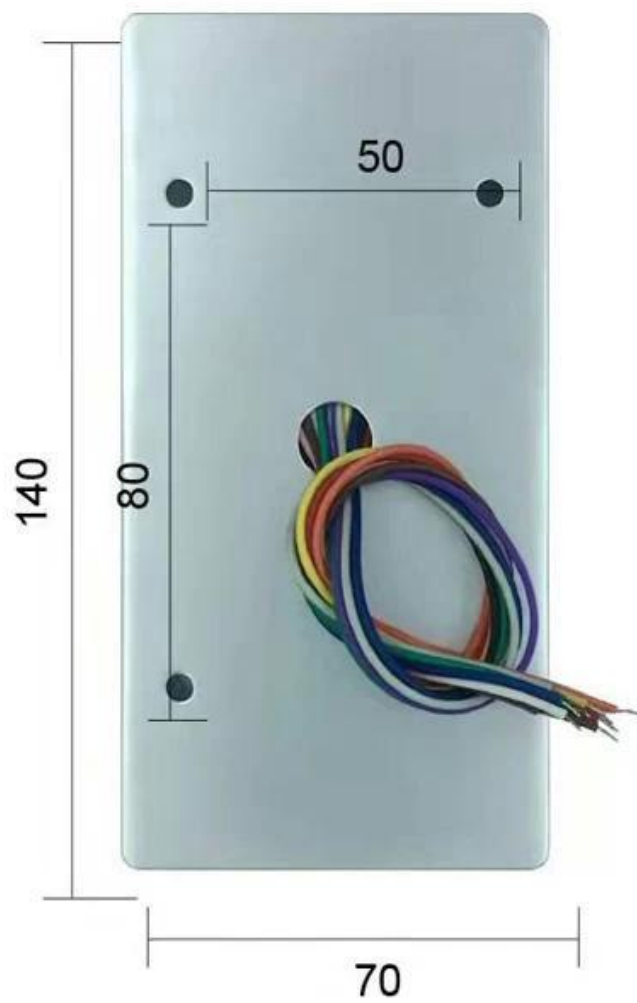
ACM-209J 指紋辨識器

1. 指紋辨識器，指紋辨識器，指紋辨識器，指紋辨識器，指紋辨識器。
2. keyboard 指紋，指紋，指紋，指紋 指紋
- 3.指紋辨識器 2指紋 指紋 指紋ACM-209J 指紋 指紋 指紋 指紋 4.3指紋 指紋 指紋 指紋 1. 指紋 指紋 2. 指紋 指紋 3. 指紋 指紋
5. 0.1指紋 指紋 指紋 指紋 6. 指紋 指紋 指紋，指紋 1000指紋 指紋 指紋 指紋
7. 指紋 指紋 指紋 指紋 指紋 指紋 指紋 指紋 指紋 指紋 指紋 指紋
8. 指紋 指紋 指紋 指紋 指紋

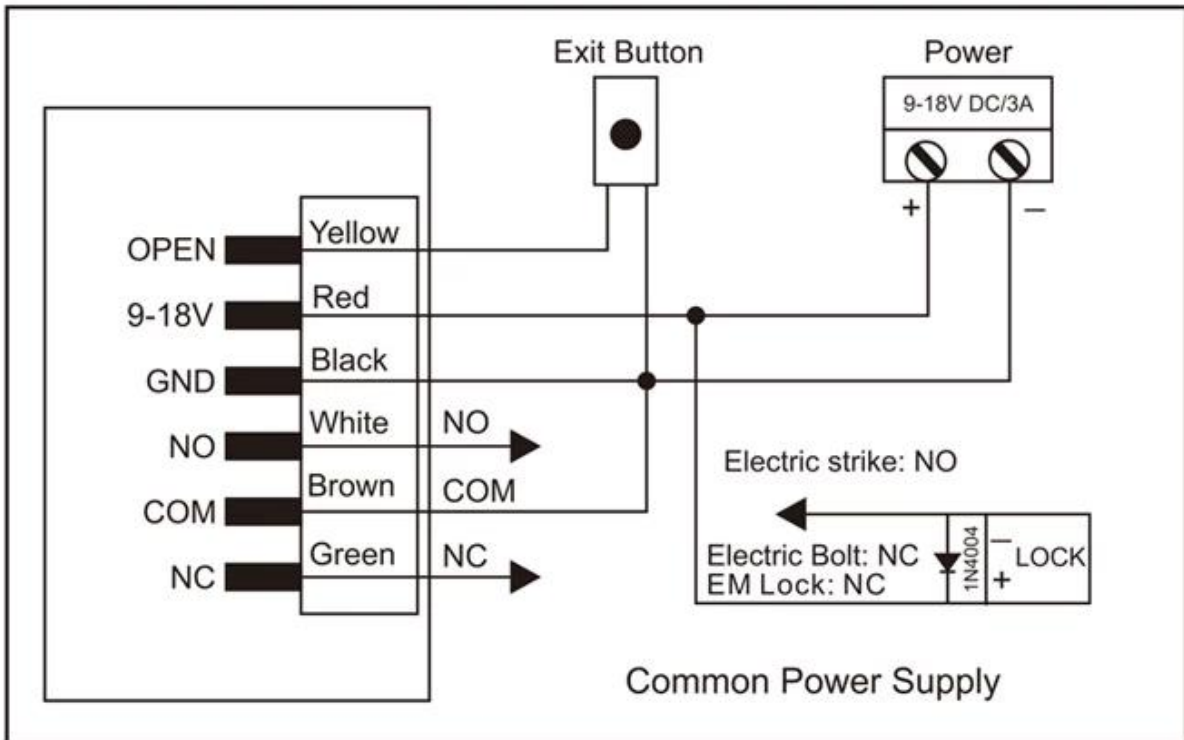


ACM-209J 指紋辨識器

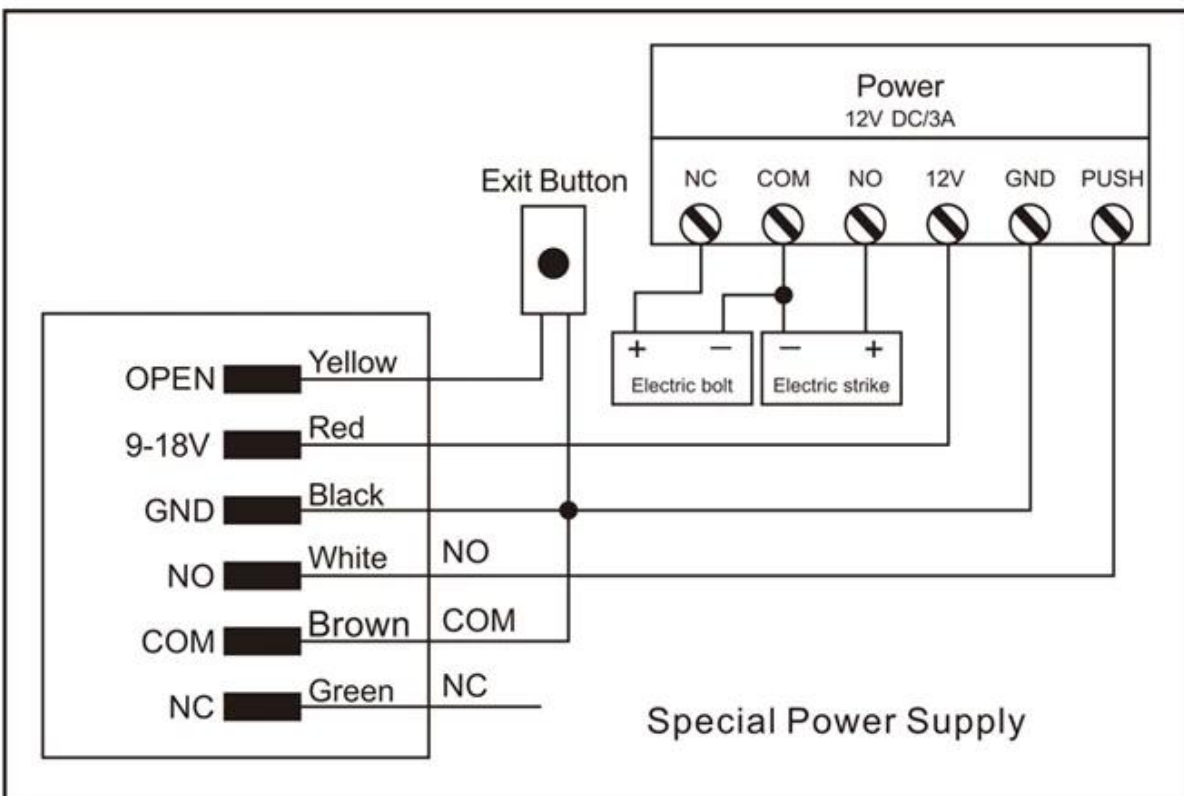




## Common Power Supply



## Special Power Supply



□□ □□

□□□ DHL, FEDEX, TNT, UPS, EMS, SEA □ By AIR □ □□□ □□ □□□□ □□ □□□□.

□□□ □□ □□□ □□□□□ □□□ □ □□□□□.

□□

□□□ □□□ □□ □□: □□ □□

□□□ □□□□□ □□□

□□□ □□□□ □□ □□ □□□□□ □□□ □□ □□ □□ □□ □□ □□ □□ □□□□.





**ACM223**

RFID 00 000 0 000 000 00, 00 EM  
125/4000 US 125Khz

**ACM209-NW**

00 RFID(00 00) 000 00 000 000 00,  
125Khz EM

**ACM208**

00 00 00 0 000 00 000 00 RFID 000





**ACM210**

RFID card reader (touch screen)

**ACM225**

RFID card reader, 125Khz EM, wiegand card reader

**ACM211B**

RFID card reader, wiegand card reader

RFID card reader

- 1, 24 hours service.
- 2, 10 years warranty, 1 year free maintenance.
- 3, OEM/ODM
- 4, fashin desing, 10000 pieces, 10000 pieces
- 5, 1000 pieces:

  - 1) 1000 pieces 1000 pieces 1000 pieces.
  - 2) 1000 pieces 1000 pieces 1000 pieces.
  - 3) 1000 pieces 1000 pieces 1000 pieces 2-30 pieces 1000 pieces.

- 6, 1000 pieces : 1000 pieces 1~5, 1000 pieces 7~30
- 7, T / T, Western Union, Paypal, Ali
- 8, DHL, FEDEX, TNT, UPS, EMS, 1000 pieces 1000 pieces 1000 pieces 1000 pieces 1000 pieces 1000 pieces.

RFID card reader

**Q: 1. How long is the warranty?**

A: 10 years warranty, 1 year free maintenance. 1000 pieces 1000 pieces 1000 pieces.

**Q: 2. How many pieces can I order?**

A: 1000 pieces T/T, 1000 pieces, 1000 pieces. 1000 pieces, 1000 pieces (DHL, FedEx, TNT UPS) 1000 pieces.

**Q: 3. How long is the lead time?**

A: 1000 pieces 1000 pieces 1000 pieces 1000 pieces.

**Q: 4. 如何 選擇 合適 的 設備 類型?**

A: 這取決於 您的 需求。 對於 5000 個 設備 3-7 天， 100,000 個 設備 7-15 天。

**Q: 5. 如何 選擇 合適 的 設備 類型?**

A: 這取決於 您的 需求。 OEM 設備 通常 更 便宜。

**Q: 6. 如何 選擇 合適 的 設備 類型?**

這取決於 您的 需求。 RFID 設備/NFC 設備/RFID keybod/RFID 設備 RFID 設備 通常 更 便宜。



# 20+ YEARS EXPERIENCE OEM & ODM

ACCESS CONTROL SYSTEMS ONE STOP SOLUTION PROVIDER

Goldbridge is Top 10 China Manufacture On Alibaba, Specializes In Provide Kinds Of RFID/NFC Cards, FID Tags, RFID Card Reader, UHF Reader, Access Control System, Electromagnetic Locks, etc Since 1999



Customized Services



Quality Assurance



Fast Delivery



Best After-Sales Service

## OUR FACTORY



- **Access Control and RFID Reader Production Line:**
- Monthly production quantity is up to 50,000pcs, We are Provides OEM&ODM services including product research and development, LOGO printing, customized.etc



- **Electromagnetic lock & Smart Door Lock Production Line :**
- Monthly production quantity is up to 100,000pcs ,
- Our factory is built with modern manufacture environment, facilities, equipment and professional operation technicians.
- Goldbridge Provides OEM&ODM services including product research and development, LOGO printing and product box customized.



- **RFID & NFC Cards & Tags Production Line :**
- RFID Tag, Wristband, Keyfob: 11,000,000pcs (monthly output)
- Four Production Lines For Smart Card, PVC Card, Prelam Sheet: 20,000,000pcs (monthly output)
- Goldbridge Provides OEM&ODM services for LOGO printing, development, customized.

## ADVANTAGE



### WHY CHOOSE US?

- 1 **FAST DELIVERY** Faster delivery by air by express. (DHL,UPS or Fedex)
- 2 **LONG HISTORY** 20 years experience in RFID & Access Control industry
- 3 **OEM ACCEPTABLE** 20 years OEM&ODM experience for 1000 + VIP client from US and Europe
- 4 **HIGH QUALITY** Design and manufacture high quality produtcs with 30 R&D; engineers.

## APPLICATION

Bus, supermarket,school, government, hospital, factory



## CERTIFICATE



