

□□□□□□ □□□



## شاشة تعمل باللمس تحكم الوصول المستقل

م  
و  
ع  
ل  
ط  
ا  
ق  
ة  
D  
C  
1  
2  
ل  
ه  
ر  
ل  
ا  
ت  
ا  
ش  
غ  
ل  
ا  
ة  
2  
ط  
5  
ق  
ط  
ل  
ق  
ر  
ا  
ة







Reading Range: 2~5cm

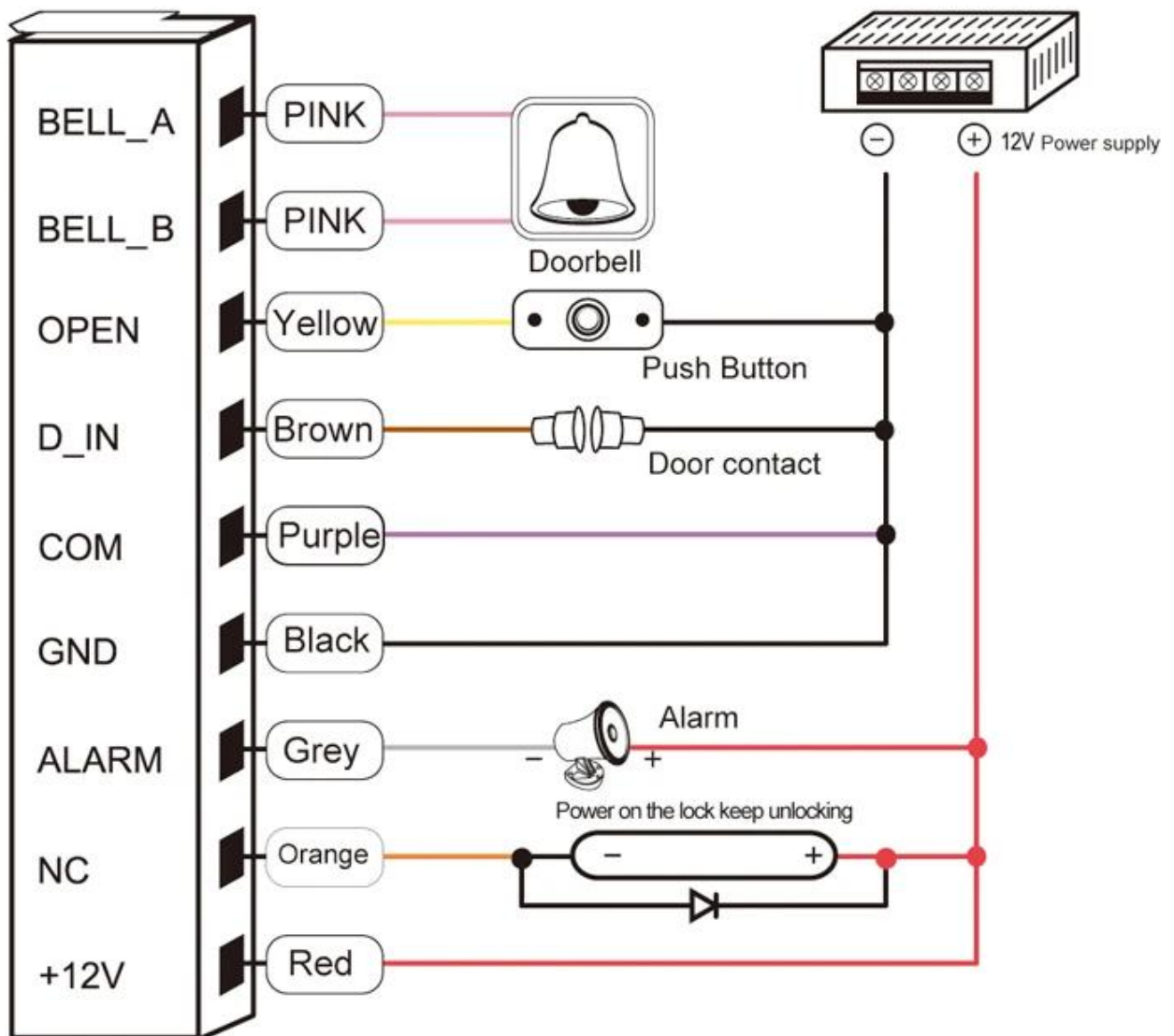
Card type: EM  
User Capacity: 2000



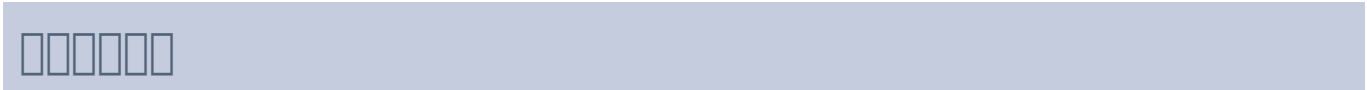
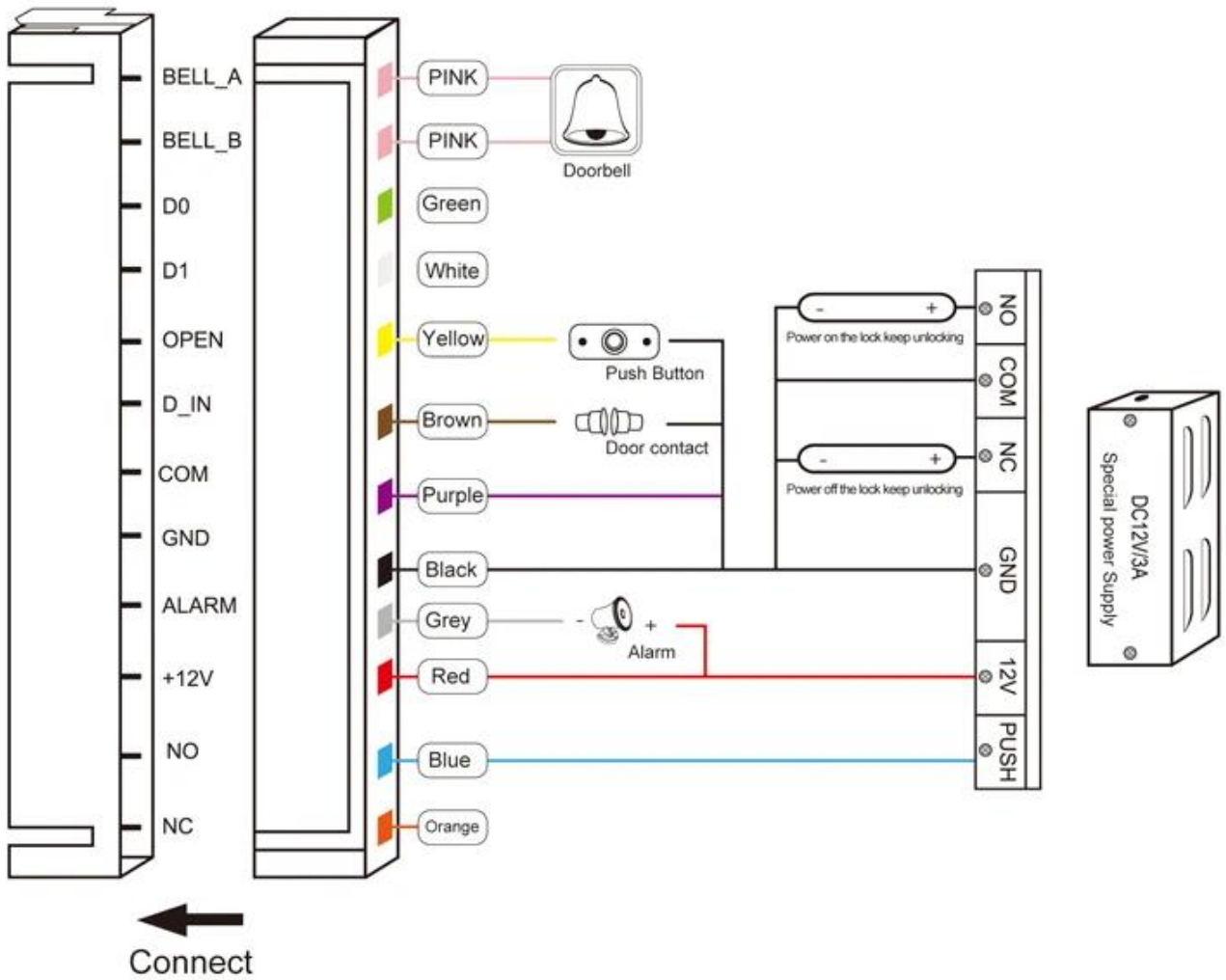
Wiegand 26: Output & Input



# Common power supply diagram



## Special power supply diagram



### 1. 24

2. OEM / ODM

3. fashin

4. 30 ~ 7

5. T / T

6. DHL FEDEX TNT UPS EMS

7. 3-2

8. 5 ~ 1

9. ACM Goldbridge

10. 30 ~ 7

### 11. 12

12. 30 ~ 7







**SHENZHEN GOLDBRIDGE INDUSTRIAL CO., LTD**

**Address:** Futian District, Shenzhen of China

**Telephone:** +86-755-83767678

**Contact Person:** Lily Jiang

**WhatsApp and Mobile Phone:** +86-13554918707

**Skype:** lily-jiang1206

**E-mail:** sales@goldbridgesz.com

**Website:** <http://www.goldbridgesz.com>