

□□□□□□ □□□□□□ □□□□□□ □□□□□□ □□□□ □□□□□□ □□□□□□ □□□□□□ □□□□□□ □□ □□□□ □□□□ □□□□□□ □□□□□□



### 全金属防水设计

防水级别达到IP68;  
锌合金外壳设计;  
防爆、防水;

- □□□□: 12 10 □□□□□ □□□□ □□□□%
- □□□ □□: 1
- □□□□□□: 1
- □□□□□□ □□□□□□ □□ / □□□□
- : 2 □□□□□
- □□□□: 1
- □□□□□ □□□□□□: □□□□□□□□□□) 32/34/ 26 □□□□□□□□□□ EM□ 13.56 □□□□□ □□□□□□□□□□ TI□ □□□□□ □□□□□□ □□□□□□□□□□□□□□□□ IRIS...)

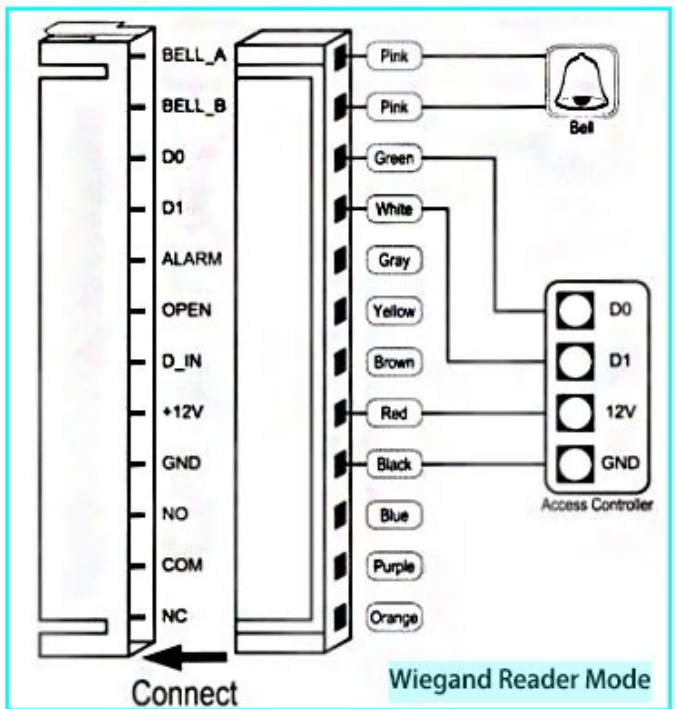
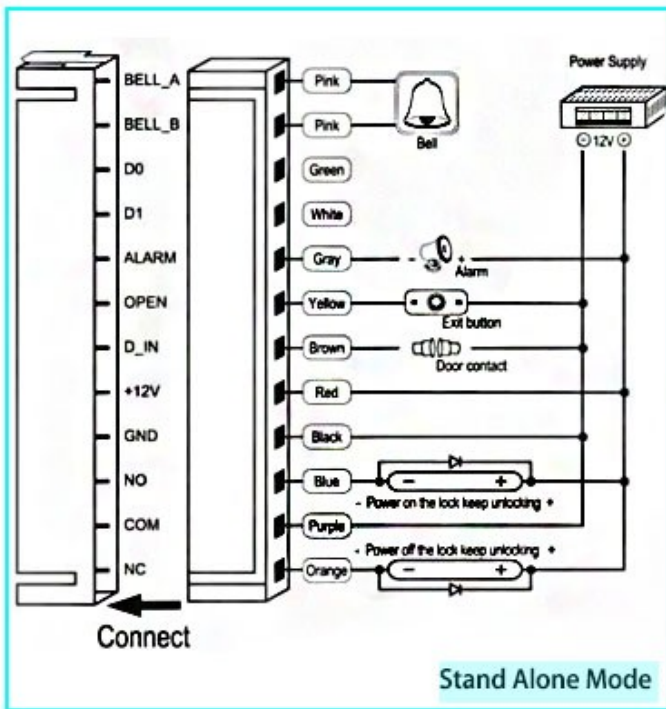
1-600  
 100  
 -40 - 70  
 12  
 10.000  
 30.000  
 100

100

- 1
- 2-
- 3-
- 4-
- 5-
- 6- IP68
- 7- 2000
- 8-
- 9- 0.1
- 10-
- 11- 99 0
- 12-
- 13-
- 14- WG W26 W34
- 15- WG26
- 16- 30



1. 2. 3. 4. 5. 6. 7. 8. 9. 10. 11. 12. 13. 14. 15. 16. 17. 18. 19. 20. 21. 22. 23. 24. 25. 26. 27. 28. 29. 30. 31. 32. 33. 34. 35. 36. 37. 38. 39. 40. 41. 42. 43. 44. 45. 46. 47. 48. 49. 50. 51. 52. 53. 54. 55. 56. 57. 58. 59. 60. 61. 62. 63. 64. 65. 66. 67. 68. 69. 70. 71. 72. 73. 74. 75. 76. 77. 78. 79. 80. 81. 82. 83. 84. 85. 86. 87. 88. 89. 90. 91. 92. 93. 94. 95. 96. 97. 98. 99. 100.



1. 2. 3. 4. 5. 6. 7. 8. 9. 10. 11. 12. 13. 14. 15. 16. 17. 18. 19. 20. 21. 22. 23. 24. 25. 26. 27. 28. 29. 30. 31. 32. 33. 34. 35. 36. 37. 38. 39. 40. 41. 42. 43. 44. 45. 46. 47. 48. 49. 50. 51. 52. 53. 54. 55. 56. 57. 58. 59. 60. 61. 62. 63. 64. 65. 66. 67. 68. 69. 70. 71. 72. 73. 74. 75. 76. 77. 78. 79. 80. 81. 82. 83. 84. 85. 86. 87. 88. 89. 90. 91. 92. 93. 94. 95. 96. 97. 98. 99. 100.

— METAL ACCESS CONTROL —



ACM-0103      ACM-100      ACM-500      ACM-N1



ACM-600      ACM-601      ACM-602      ACM-603



ACM-CC1      ACM-CC2      ACM-CC3      ACM-K5



ACM-K6      ACM-K8      ACM-K9      ACM-K10



ACM-H1      ACM-H2      ACM-H3      ACM-H4



ACM-SK2      ACM-SK4      ACM-SK5      ACM-SK6-X



ACM-K7      ACM-S7      ACM-K8      ACM-S8



ACM-S99      ACM-M2      ACM-S5      ACM-S6



ACM-S99      ACM-M2      ACM-S5      ACM-S6





# 20<sup>+</sup> YEARS EXPERIENCE OEM & ODM

ACCESS CONTROL SYSTEMS ONE STOP SOLUTION PROVIDER

Goldbridge is Top 10 China Manufacture On Alibaba, Specializes In Provide Kinds Of RFID/NFC Cards, FID Tags, RFID Card Reader, UHF Reader, Access Control System, Electromagnetic Locks, etc Since 1999



Customized Services



Quality Assurance



Fast Delivery



Best After-Sales Service

## OUR FACTORY



- **Access Control and RFID Reader Production Line:**
- Monthly production quantity is up to 50,000pcs, We are Provides OEM&ODM services including product research and development, LOGO printing, customized.etc



- **Electromagnetic lock & Smart Door Lock Production Line :**
- Monthly production quantity is up to 100,000pcs ,
- Our factory is built with modern manufacture environment, facilities, equipment and professional operation technicians.
- Goldbridge Provides OEM&ODM services including product research and development, LOGO printing and product box customized.



- **RFID & NFC Cards & Tags Production Line :**
- RFID Tag, Wristband, Keyfob: 11,000,000pcs (monthly output)
- Four Production Lines For Smart Card, PVC Card, Prelam Sheet: 20,000,000pcs (monthly output)
- Goldbridge Provides OEM&ODM services for LOGO printing, development, customized.

## ADVANTAGE

### WHY CHOOSE US?



- 1 **FAST DELIVERY** Faster delivery by air by express. (DHL,UPS or Fedex)
- 2 **LONG HISTORY** 20 years experience in RFID & Access Control industry
- 3 **OEM ACCEPTABLE** 20 years OEM&ODM experience for 1000 + VIP client from US and Europe
- 4 **HIGH QUALITY** Design and manufacture high quality produtcs with 30 R&D; engineers.

## APPLICATION

Bus, supermarket,school, government, hospital, factory



## CERTIFICATE



