

□□□□□□ □□□

□□□□□□ □□□



□□□□ □□□□□□ □□□□ □□□□ □□□□□□ □□□□
□□□□□□ **8000** □□□□ □□□□□ □□□□ □□□□/□□□□□□
□□□□□□ □□ □□□□□□□ □□□□□□ □□□□□□

□□ □□ □□□-A20 □□□□□□□□□ □□□□□□ □□□□ □□□□
□□ □□□□□ □□□ □□□□□ □□□□□□□□ □□□□□□□□□□
□□□□□□ □□ □□□□□□□□ □□□□ □□□□□□ □□□□□□□□□□
□□□□□□ □□□□□ □□□□ □□□□□□□ □□□□□□ □□□□□
□□□□□□ □□□□□□ □□□□□□ □□□□□□ □□□□□□□□□□
□□□□□□ □□□□□ □□□□ □□□ □□□□□ □□□□□□



□
□
□
/
□
□
□
□
□
□
□
□
□
□
/
□
□
□
□
□
□
□
□
□
□
□
□
□
□
□
/
□
□
□
□
□
□
□
□
□
□
□
□
□





Silver



Red



Gold



Green



White

Dear Customers,

Please note that we have different kinds of colors for your choice regarding this item (**Gold, White, Green, Red, Silver**). Please leave message for the needed color so that we can ship accord to your needs when you place a order. The default color will be silver color.

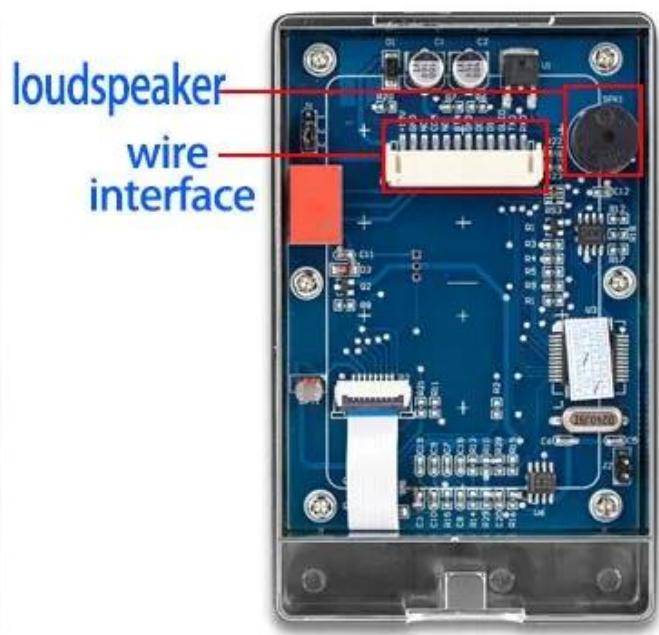
Real Product Picture

Waterproof Level: **IP65**

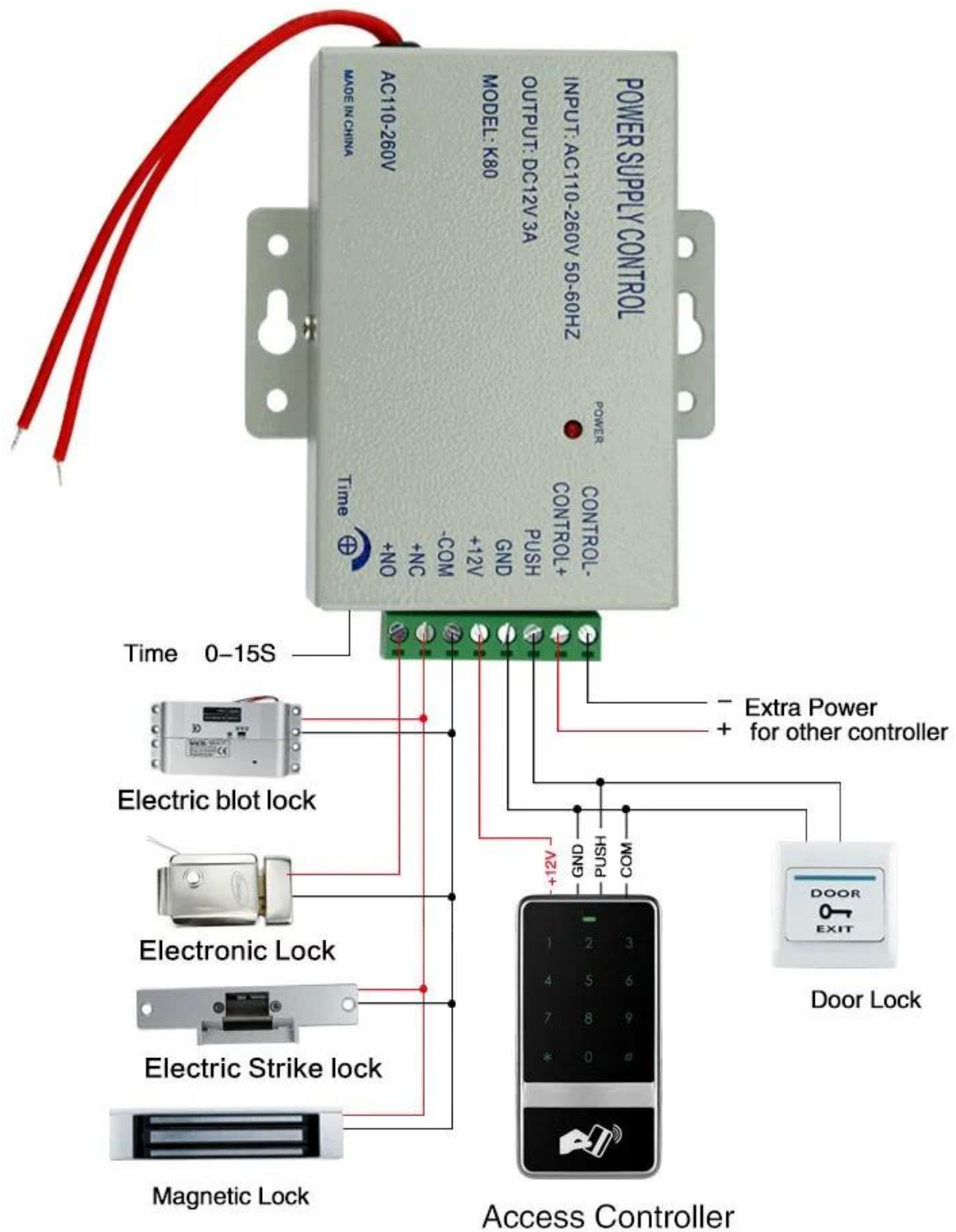


□□□□ □□□□

□□□□ □□□□ **Wiegand 26/34** □□□□ □□□ □□□ □□□□□□ □□ □□□□ □□□□□□ □□□□□□ □□□□□□□□



Wiring diagram



Attention when electronically controlled lock must be transferred to 0seconds delay, to prevent burning of electric lock.

ACM223

RFID 125 kHz
EM 1000/4000

ACM210

RFID (125 kHz)



RFID-A10

RFID (125 kHz)

RFID/EM 125 125

RFID-A20

RFID 125 125 EM 125
wiegand

RFID-A30

RFID 125 125 EM 125
rfid



RFID 門鎖-A40

RFID EM 門鎖 PIN 門鎖
RFID 門鎖 門鎖 門鎖 門鎖

RFID 門鎖-A60

RFID 門鎖 門鎖 門鎖 門鎖
RFID 門鎖 門鎖 門鎖 rfid
門鎖/門鎖 門鎖/門鎖
門鎖/門鎖 門鎖/門鎖

RFID 門鎖-A88

RFID 門鎖 門鎖 門鎖 門鎖
RFID 門鎖 門鎖 門鎖 rfid
門鎖/門鎖 門鎖/門鎖
門鎖/門鎖 門鎖/門鎖

You may need

RFID 門鎖 門鎖 門鎖 門鎖 門鎖 門鎖





Exit Button -Y100S

5) Exit Button (PIN)
 Exit Button (PIN)
 Exit Button

Exit Button -Y280

280 Exit Button (PIN)
 Exit Button (PIN) (600)
 Exit Button (PIN) (600)
 Exit Button (PIN)

Exit Button -K2A

Exit Button Relese Exit Button
 Exit Button K2A: 115 × 70 × 25
 Exit Button K2B: 86 × 86 × 25





□□ □□ □□-Y806-3A

5 □□□□ 12 □□□□□□□□ □□□□ □□□□
 □□□□□□ □□□ □□□□ □□□□□□□□
 □□□□□□□ □□□□□□□□

ACM26X

125 26/34 □□□□□□ □□□□ □□□□
 × □□ 75.5 × □□ 115 :□□□□□□ □□□□□□
 □□ 16.8

□□ □□ □□-EMI-S

□□□□□ □□□□□ EM 125 □□□□ □□□□



□□□□□□

- 24 □□□□ □□□□□□□□□□ □□ □□□ □□□□ □□□□ .1
- □□□□□□□□ □□□ □□□□□ □□□□□ □□□□□□□□ □□□□□□□□ □□□□□□□□ □□□□□□□□ .2
- 3.OEM/ODM □□□□
- □□□□ □□□□□□□□ □□□□□ □□□ □□□□□□ □□□□□ □□□□□ □□□□□ □□□□□ □□□□□ .4
- :□□□□□□ □□□ □□ □□□□□ .5

1. 3-2 30 ~ 7 5 ~ 1 .6
 2. T/T Western Union Paypal Ali
 3. Shipping: DHL FEDEX TNT UPS EMS
 4. ACM Goldbridge
 5. ACM Goldbridge
 6. ACM Goldbridge



1. DHL FEDEX TNT UPS EMS
 2. ACM Goldbridge

1. 50 28*31*45

ACM

20 RFID



□□ □□ □□□□

Complete Door Access Control Solution Provider



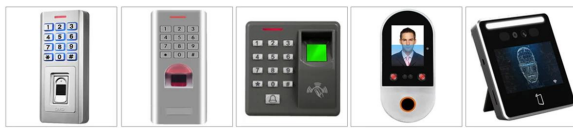
Hot Selling Equipments

BEST SELLERS

Standalone Fingerprint & RFID Outdoor Waterproof Access Controller



ACM-209E ACM-209V ACM-209H ACM-210E ACM-9800

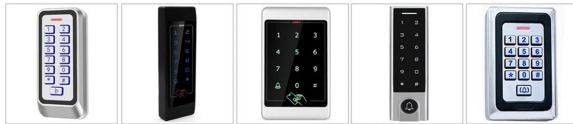


ACM-209D ACM-209F ACM-851 ACM-TM07 ACM-TM05
 Face Recognition Face Recognition

Standalone Waterproof Metal RFID Access Control



ACM-211A ACM-212A ACM-208A ACM-210A ACM-208B



ACM-208C ACM-A65 ACM-A55 ACM-210F ACM-209A

Standalone Waterproof Touch Screen /Keypad RFID Access Controller



ACM-230K ACM-230T ACM-223 ACM-225 ACM-227



ACM-226 ACM-301C ACM-301D ACM-212 ACM-212C

Touch Screen Standalone Waterproof Metal RFID Access Controller



ACM-A40 ACM-A50 ACM-A10 ACM-A20 ACM-A30



ACM-A60 ACM-A80 ACM-A88 ACM-A21 ACM-A51

20⁺ YEARS EXPERIENCE OEM & ODM

ACCESS CONTROL SYSTEMS ONE STOP SOLUTION PROVIDER

Goldbridge is Top 10 China Manufacture On Alibaba, Specializes In Provide Kinds Of RFID/NFC Cards, FID Tags, RFID Card Reader, UHF Reader, Access Control System, Electromagnetic Locks, etc Since 1999



Customized Services



Quality Assurance



Fast Delivery



Best After-Sales Service

OUR FACTORY



- **Access Control and RFID Reader Production Line:**
- Monthly production quantity is up to 50,000pcs , We are Provides OEM&ODM services including product research and development, LOGO printing, customized.etc



- **Electromagnetic lock & Smart Door Lock Production Line :**
- Monthly production quantity is up to 100,000pcs ,
- Our factory is built with modern manufacture environment, facilities, equipment and professional operation technicians.
- Goldbridge Provides OEM&ODM services including product research and development, LOGO printing and product box customized.



- **RFID & NFC Cards & Tags Production Line :**
- RFID Tag, Wristband, Keyfob: 11,000,000pcs (monthly output)
- Four Production Lines For Smart Card, PVC Card, Prelam Sheet: 20,000,000pcs (monthly output)
- Goldbridge Provides OEM&ODM services for LOGO printing, development, customized.

ADVANTAGE



WHY CHOOSE US?

- 1 **FAST DELIVERY** Faster delivery by air by express. (DHL,UPS or Fedex)
- 2 **LONG HISTORY** 20 years experience in RFID & Access Control industry
- 3 **OEM ACCEPTABLE** 20 years OEM&ODM experience for 1000 + VIP client from US and Europe
- 4 **HIGH QUALITY** Design and manufacture high quality produtcs with 30 R&D; engineers.

APPLICATION

Bus, supermarket,school, government, hospital, factory



CERTIFICATE



PRODUCT CATEGORY

RFID / NFC SMART CARD

Be customized according to you need

Fit for systems of transport, E-payment, Access Control, Event, Loyalty, ect.



[View More](#)

ACCESS CONTROL SYSTEM

Security for All: Network Access Control Board ,Standalone Access Controller, Biometric Access Control, T&A time attendance, Facial Access Control



[View More](#)

RFID & LONG RANGE UHF READER

20+ Years of professional Experience in production of rfid uhf hardware

- UHF desktop reader writer,
- UHF integrated reader,
- UHF R2000 fixed reader,



[View More](#)

ELECTROMAGNETIC LOCK

Professional Electric Locks Manufacturer In China

Electromagnetic lock with OEM & ODM since 1999 60KG /110KG /180KG /280KG /350KG /500KG



[View More](#)

FAQ

Q1 How can I place an order?

A1 Click start to order or list your requirement to us by email. Then we will send the offer to you ASAP, after the order confirmed, we will arrange production ASAP.

Q2 What about the payment and shipment?

A3 T/T , Paypal, Western Union etc.
You can choose your agent or via our agent by sea, air or express (DHL,FedEx, TNT UPS etc.)

Q4 How can I get a sample to check your quality?

A4 We could provide the sample to you, pls check the sample cost and freight cost with us.

Q5 How long can I expect to get the goods?

A5 It depends on the quantity and shipping way. You can check with us before ordered.

Q6 Can your products be customized?

A6 Almost all of our products are customized , including the material, size, thickness and printing. OEM orders are highly welcome.

[Contact Us](#)



[BACK TO HOMEPAGE >](#)

