

RFID 125khz

ACM-209I

nextTouch

K8 6

> 1 1000 990 + 10

> 3 PIN + PIN

> 125KHz EM

> PIN 4 6

>

> IP66

> L105 x W69 x H20 mm

	1000 / PINS
	990
	10
	9 18V DC
	50
	80
	12
	125KHz EM
	2-4
	NO NC
	0-99 5
	2 A
	IP66
	-40°C 60°C -40°F 140°F
	10 RH-90 RH
	105 x 69 x 20
	275
	375



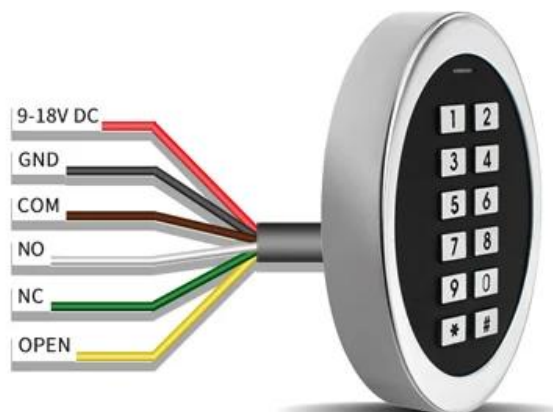
Mini Size: 105 x 69x 20mm

Card Type
125KHZ EM Card
1000 Users
990 Card / PIN Users
10 Visitor Users

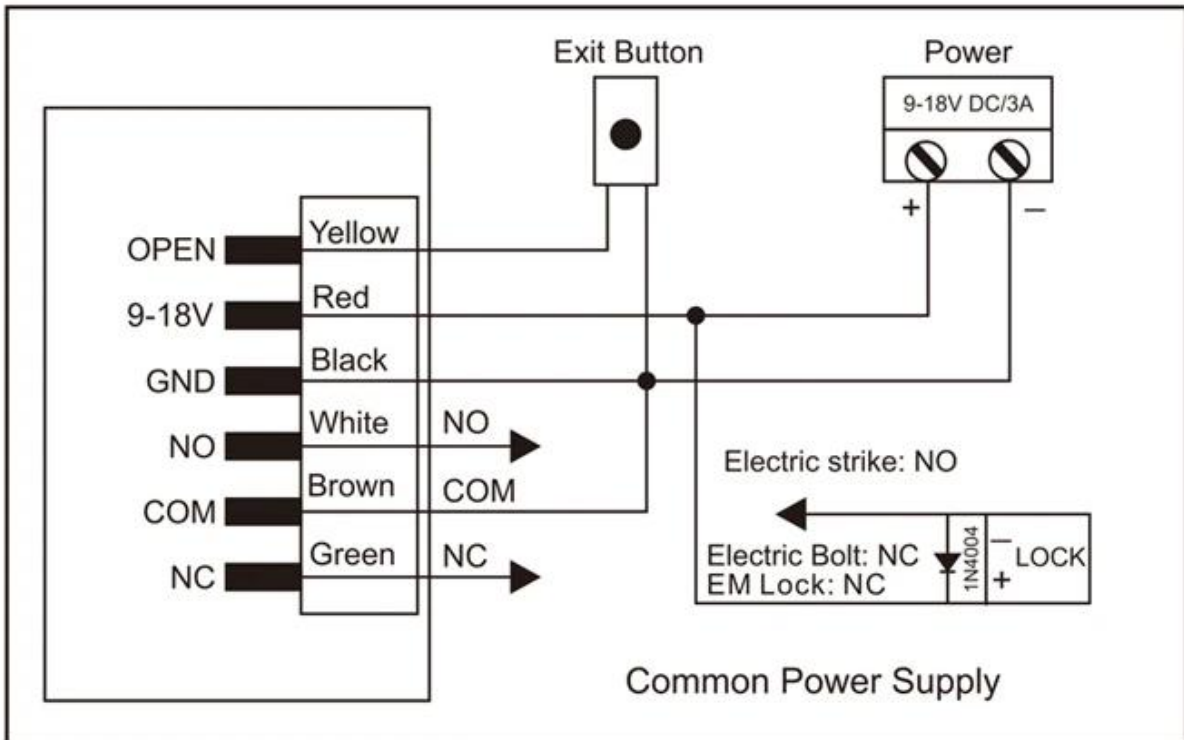


Waterproof, conforms to IP66

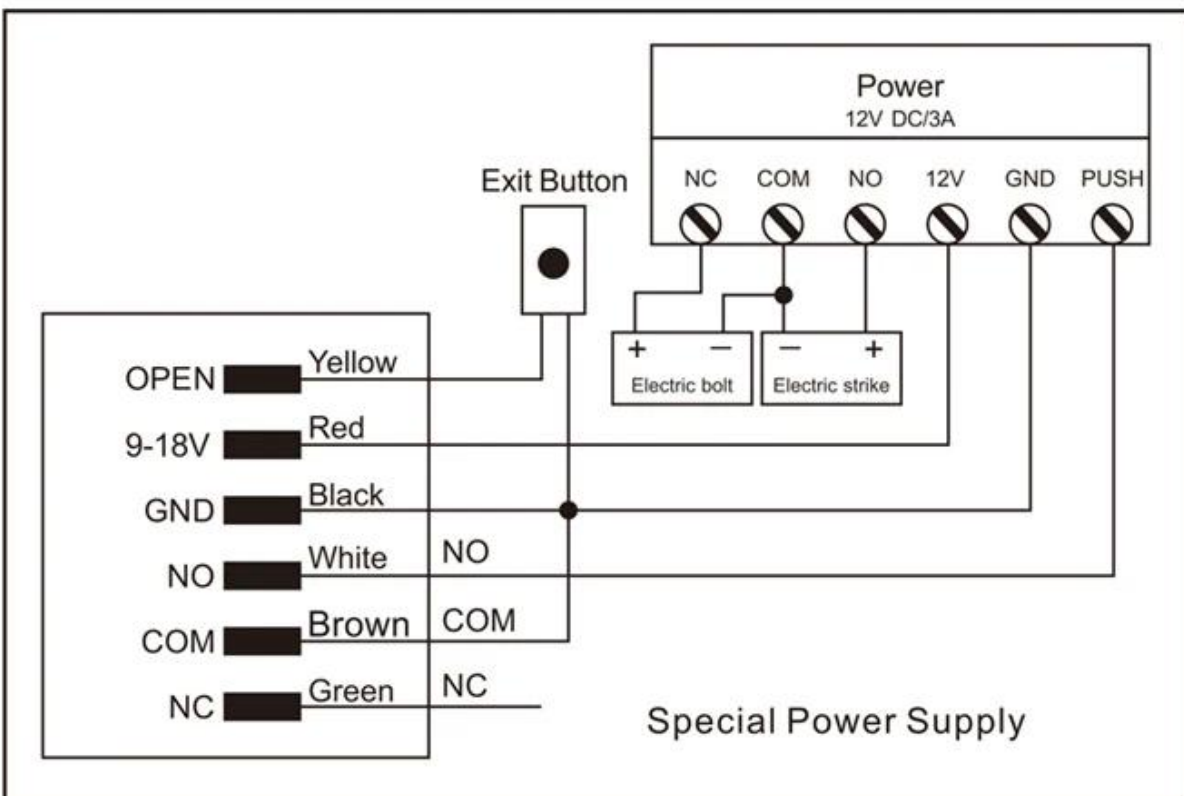
6 wires, easy installing



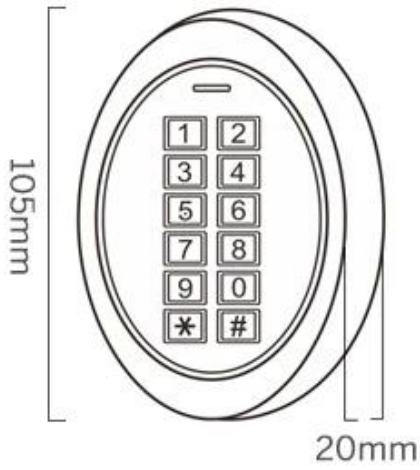
Common Power Supply



Special Power Supply



Product Size



Gift Box Size





ACM223

RFID EM 125/4000
US 125Khz

ACM209-NW

RFID 125Khz
EM

ACM208

RFID





ACM210

RFID

ACM225

RFID 125Khz EM

ACM211B

RFID

- 1
- 2
- 3 OEM / ODM
- 4 fashin
- 5
- 1
- 2
- 3 2-3
- 6 1 5 7 30
- 7 T / T Western Union Paypal Ali
- 8 DHL FEDEX TNT UPS EMS

1.

2.
- T / T
DHL FedEx TNT UPS

3.

4. 5000~100,000

3-7 7-15

5. OEM

6. RFID/ NFC/ RFID/ RFID

20