



□□□□	□□
□□	IP68 □□□□
□□□□	□□12V
□□□□	2-5□□
□□	□□□□10□-90□
□□□□	0-99□□□□
□□□□	≤30mA
□□□□	-45°C□60°C
□□□□	≤3A
□□□□	≤100□□
□□□□	1□18 x 81 x 21□□

□□□□  
□□□□□□□□  
□□□□□□□□  
□□□□□□□□□□□□□□  
WG□□WG26□□/□□  
□□□2000□/□□  
□□□□□□□□□□□□+□□



Waterproof IP68 (Optional)

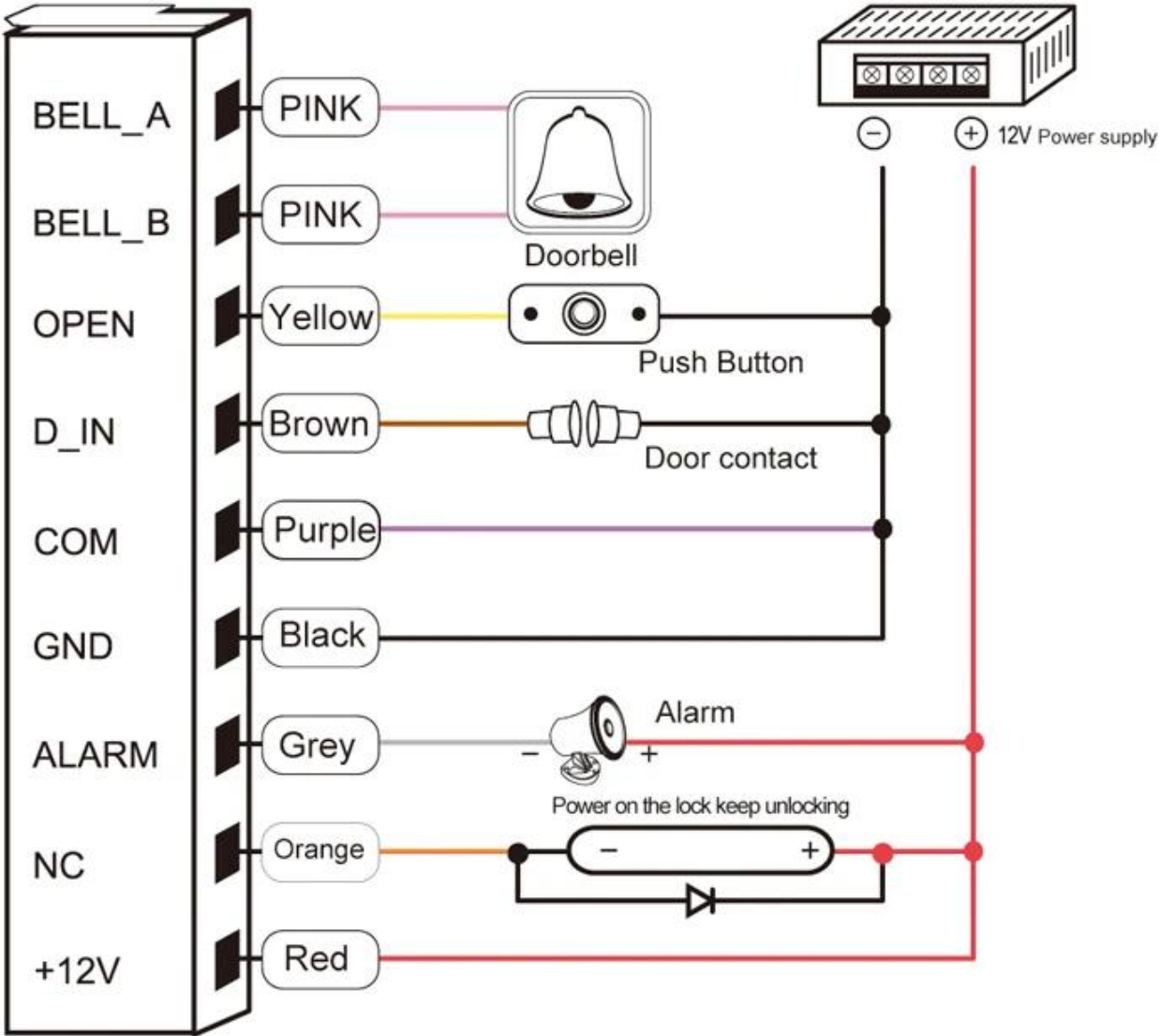
Card type: EM  
User Capacity: 2000



Wiegand 26: Output & Input



Common power supply diagram









**SHENZHEN GOLDBRIDGE INDUSTRIAL CO., LTD**

**Address:** Futian District, Shenzhen of China

**Telephone:** +86-755-83767678

**Contact Person:** Lily Jiang

**WhatsApp and Mobile Phone:** +86-13554918707

**Skype:** lily-jiang1206

**E-mail:** sales@goldbridgesz.com

**Website:** <http://www.goldbridgesz.com>