



□□□□	EM / MF
□□	1000□□□
□□□□	□□12V
□□□□	2-5□□
□□	□□□□10□-90□
□□□□	0-99□□□□□
□□□□	≤30mA
□□□□	-45°C□60°C
□□□□	≤3A
□□□□	≤100□□
□□□□	1□15 x 75x 20□□

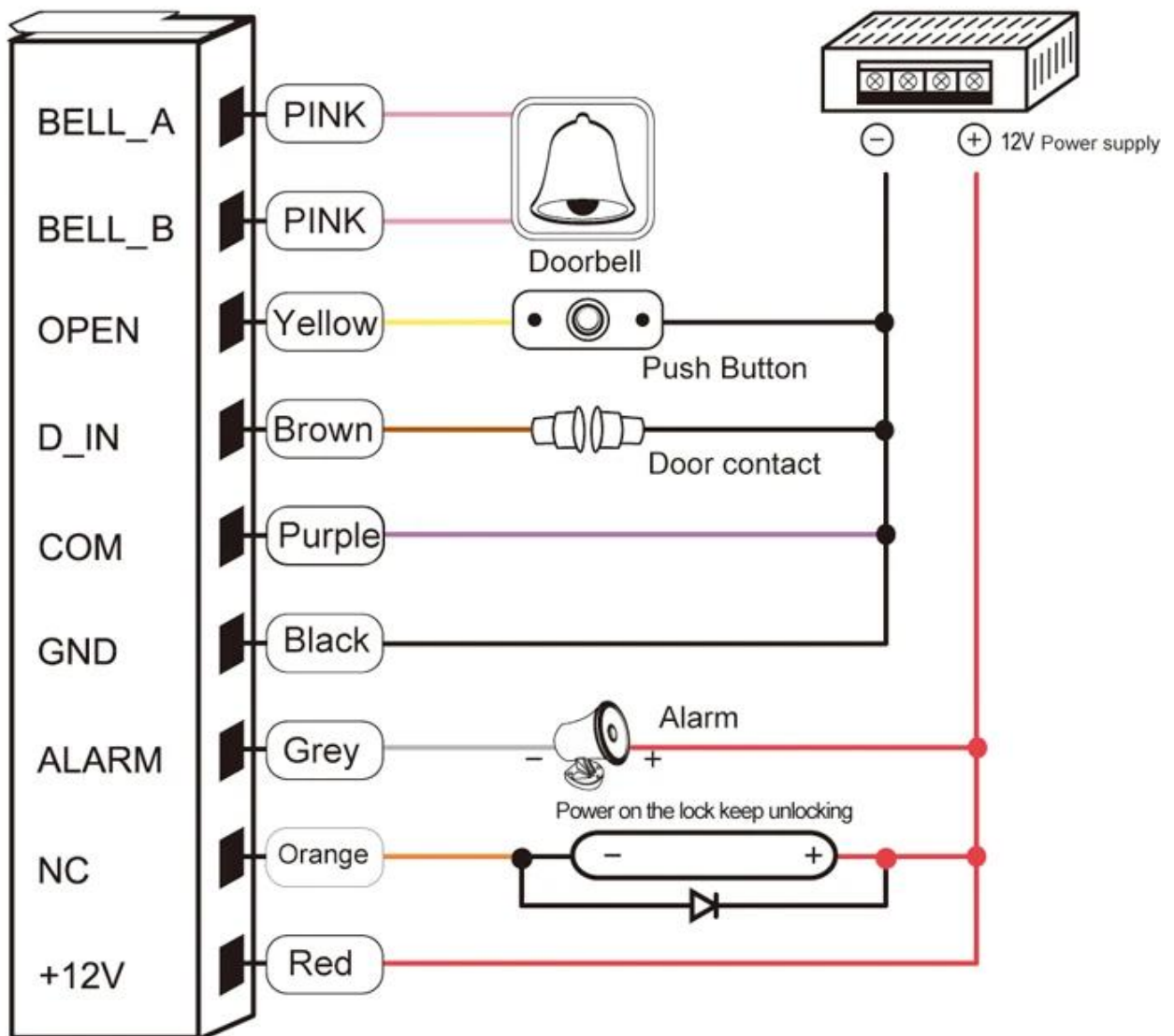
□□□□
□□□□□□□□
□□□□□□□□
□□□□□□□□□□□□□□
WG□□□WG26□□/□□
□□□2000□/□□
□□□□□□□□□□□□+□□





Size: 115x75x20mm

Common power supply diagram



□□□□

1. 24
- 2.
3. OEM / ODM
4. fashin
- 5.
6. 1 5 7 30
- 7.
8. Shipping DHL FEDEX TNT UPS EMS



SHENZHEN GOLDBRIDGE INDUSTRIAL CO., LTD

Address: Futian District, Shenzhen of China

Telephone: +86-755-83767678

Contact Person: Lily Jiang

WhatsApp and Mobile Phone: +86-13554918707

Skype: lily-jiang1206

E-mail: sales@goldbridgesz.com

Website: <http://www.goldbridgesz.com>