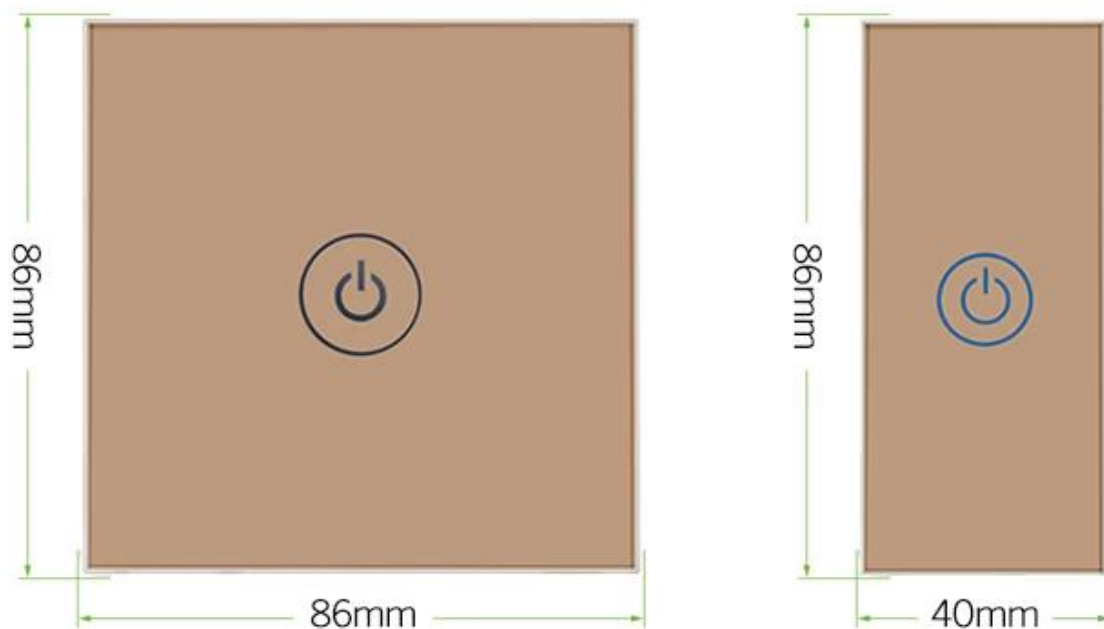


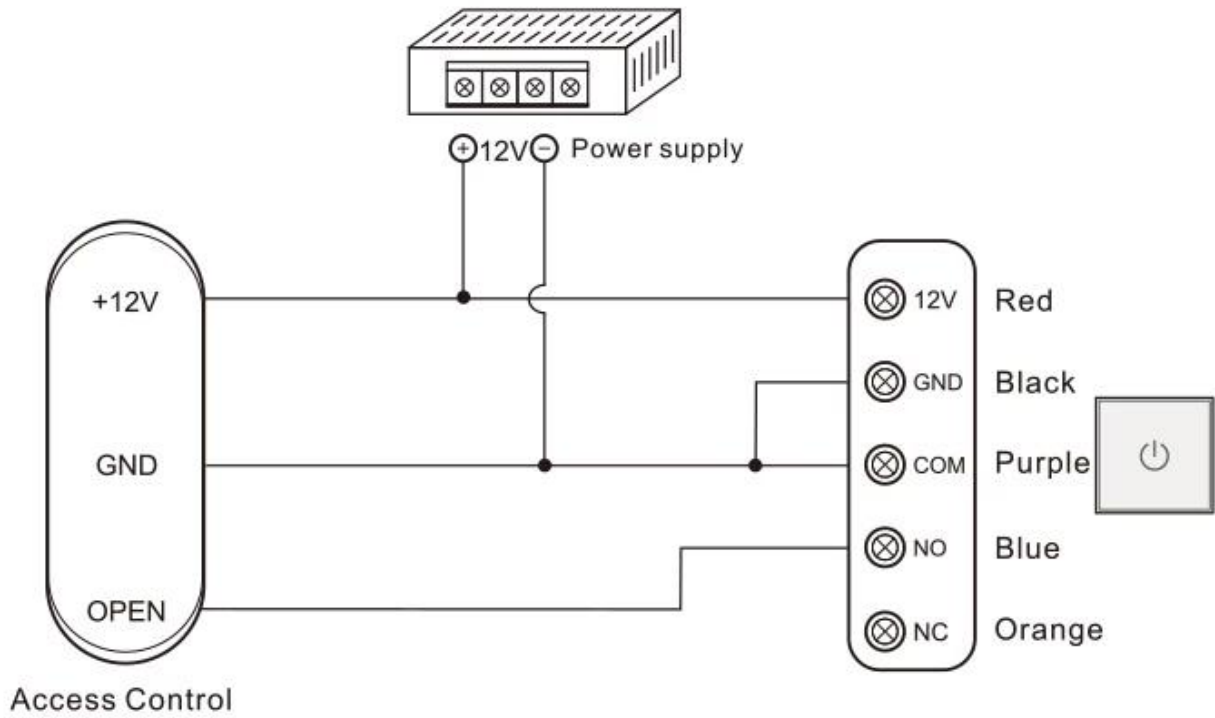
Description

This product is a capacitive touch sensitive door access switch, with automatic environment temperature and humidity Adaptability, not affected by weather change sensitivity and stability. Output when touching Normally open or normally closed switch signal, indicator light display: green in standby, touch The light is red.

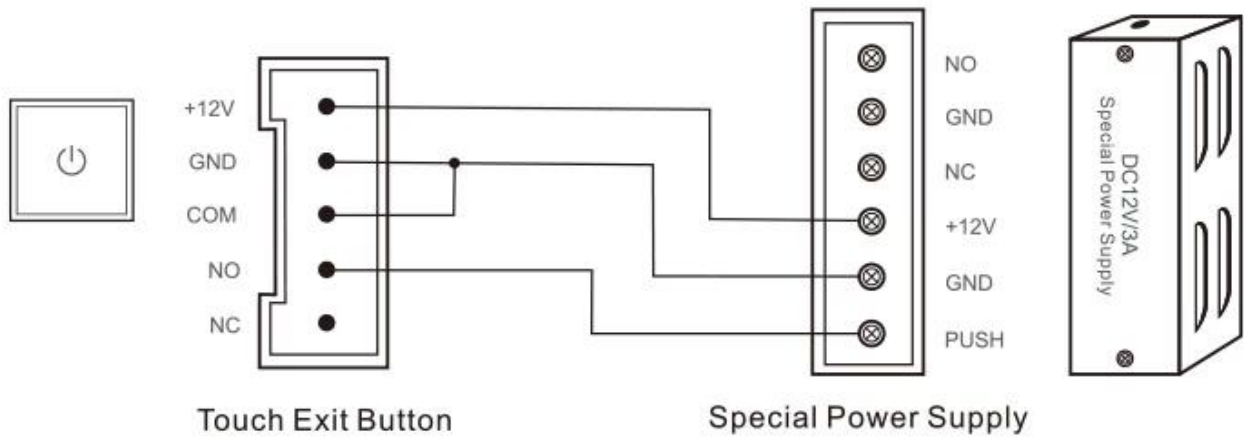
Dimensions(mm)



Common power supply diagram:



Special power supply diagram:





Realese

K2B 86 * 86mm

Realese

K9A 115 * 40mm

K5B 86 * 86mm





1. NO K4B 86 * 86mm
 2. Kirsite K14B 86 * 86mm
 3. K815B 86 * 86mm

Service

- 1. 24 hours
- 2.
- 3. OEM / ODM
- 4. fashin
- 5.
- 1.
- 2.
- 3. 2-3
- 6. 15 7 30
- 7. T / T Western Union Paypal
- 8. DHL FEDEX TNT UPS EMS SEA AIR

Product

- 1.
- 2.
- T / T

