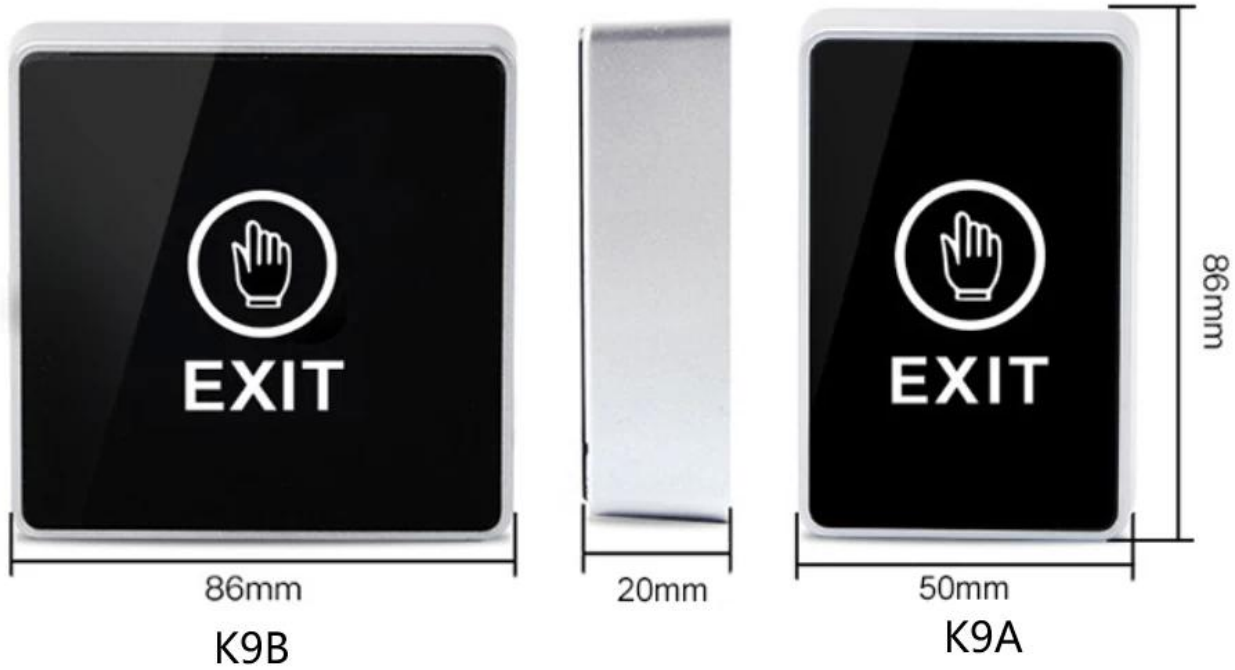


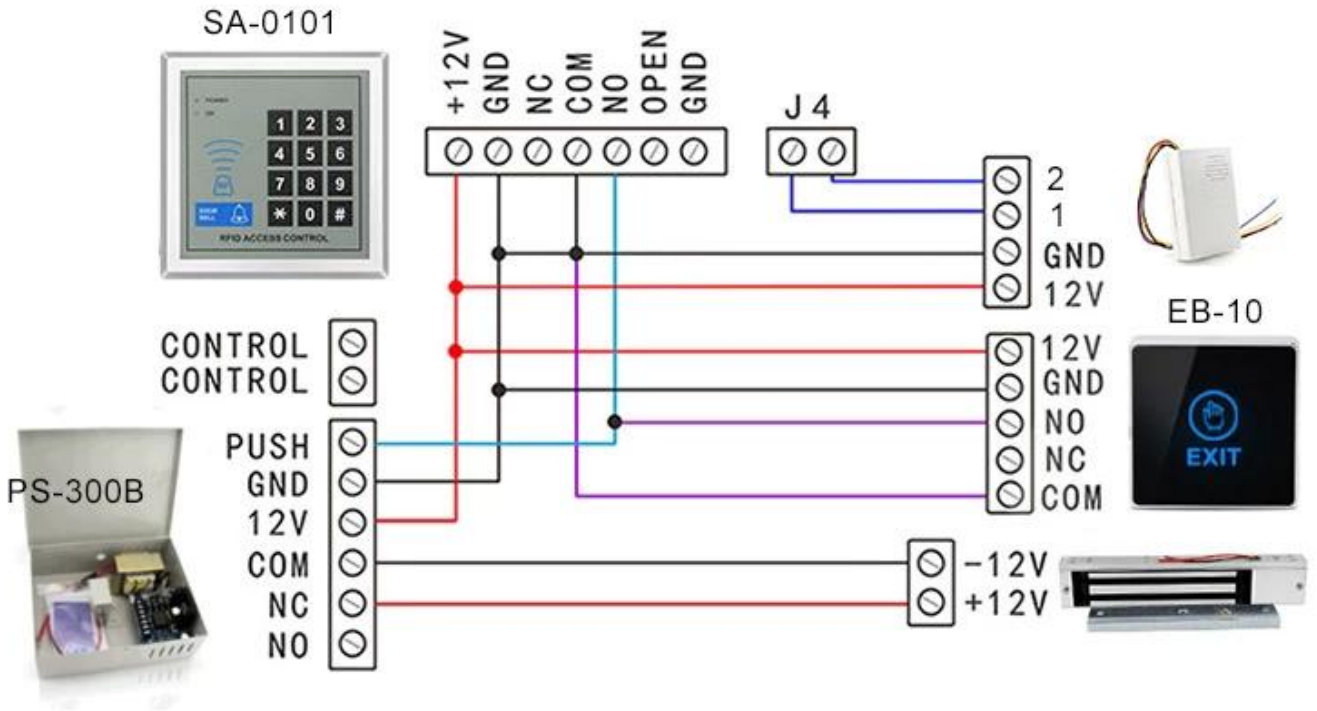
□□□□	86 X 86 X 20□□
□□□□	□□□□□□□□
□□□□	□□3A□36VDC
□□□□	+ 12V GND□NC COM
□□□□	1000000□□
□□□□	□□□
□□□□	-10□+ 55°C□14-131F□
□□□□	0-95□□□□□□



Touch status



Power on status





□□□□Relese□□□□

K2B□86 * 86mm

□□□□Relese□□□□

K9A□115 * 40mm

□□□□□□□□□□□□/□□□K5B□86 * 86mm



□□□□□□□□□□NO□□K4B□86 * 86mm

Kirsite K14B 86 *

86mm

K815B 86 * 86

□□□□

1 24

2

3 OEM / ODM

4 fashin

5

1

2

3 2-3

6 1 5 7 30

7 T / T Western Union Paypal

8 DHL FEDEX TNT UPS EMS SEA AIR

□□□□

1.

2.

T / T

DHL FedEx TNT UPS

3.

4.

5000 3-7 100,000 7-15

5.

OEM

6.

20 RFID / NFC / RFID / RFID RFID