



10,000 DC
12-24V Wiegand 26

- > Card type: EM
- > Mental backlight keypad
- > Contains card reader mode. The transmission format could be adjusted by user.
- > Supports different access ways: Entry by Card Code or Entry by multi cards
- > Support master added card and deleted card
- > User capacity: 10,000 users

10
11
12
13
14
15
16
17
18
19
20
21
22
23
24
25
26
27
28
29
30
31
32
33
34
35
36
37
38
39
40
41
42
43
44
45
46
47
48
49
50
51
52
53
54
55
56
57
58
59
60
61
62
63
64
65
66
67
68
69
70
71
72
73
74
75
76
77
78
79
80
81
82
83
84
85
86
87
88
89
90
91
92
93
94
95
96
97
98
99
100

ACM-209J
1.

2. 0.1mm

3. ACM-209J 1. 2. 3.

5. 0.1mm 6. 1000mm

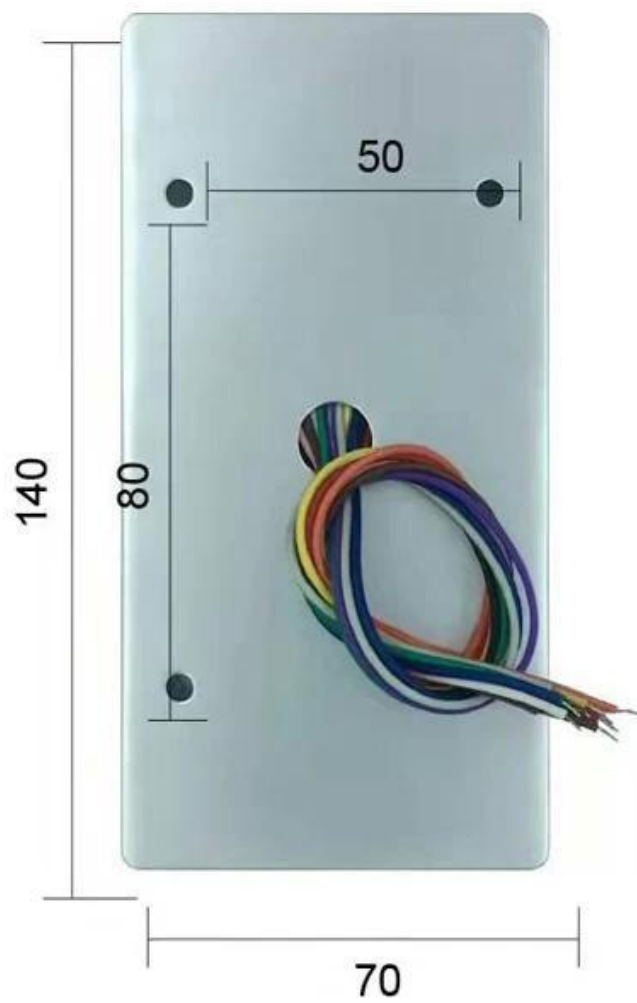
7.

8.

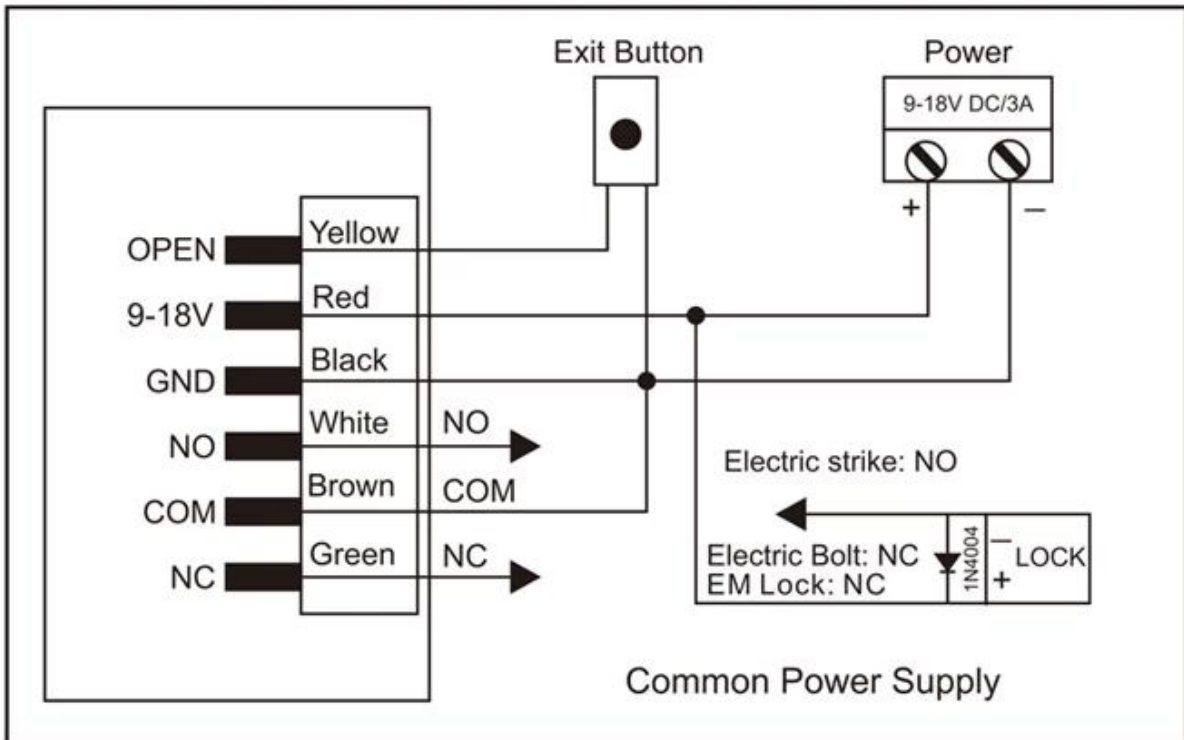
0000

ACM-209J

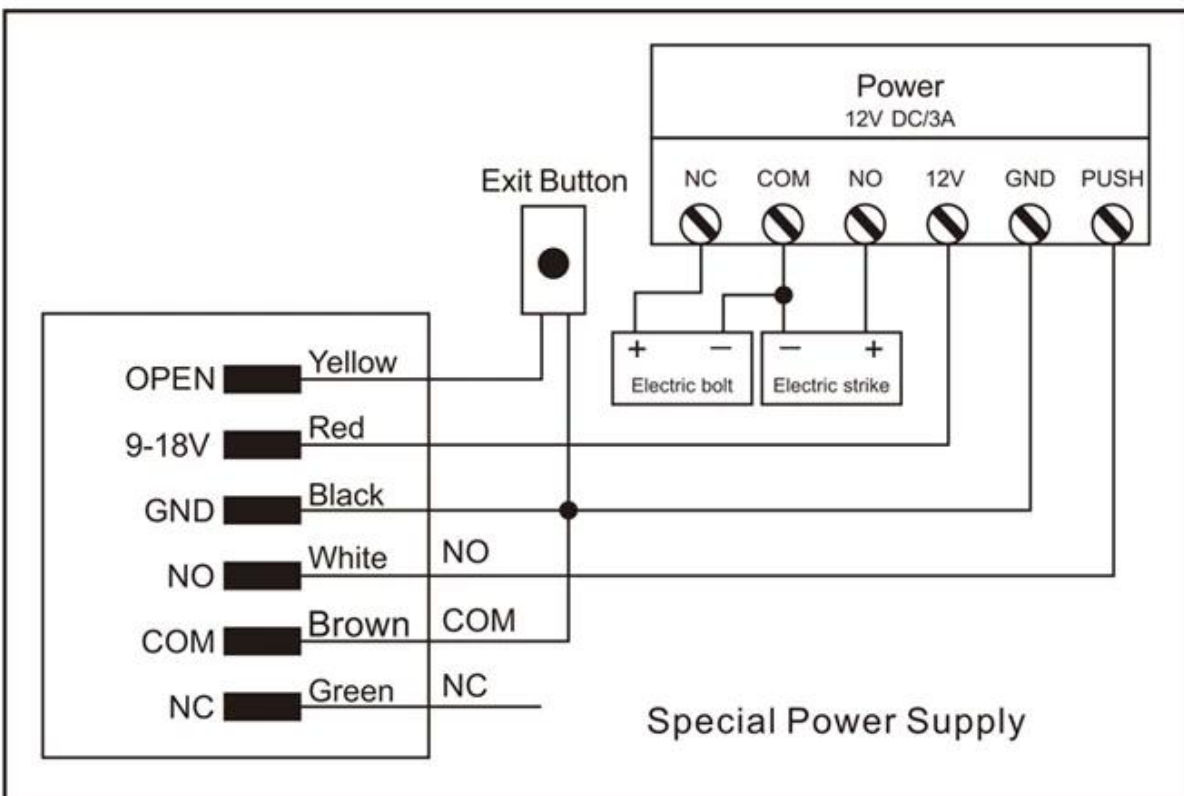




Common Power Supply



Special Power Supply



□□□□□

□□□□

□□□□DHL□FEDEX□TNT□UPS□EMS□□□□□□□□□□□□□□
□□□□□□□□□□□□□□

□□

□□□□□□: □□□□

□□□□□□

□□□□□□□□□□□□□□□□□□□□□□□□□□□□□□□□





ACM223

RFID EM 125/4000 US
125Khz

ACM209-NW

RFID 125Khz
EM

ACM208

RFID





ACM210

RFID

ACM225

RFID 125Khz EM

ACM211B

RFID

1 24

2

3 OEM/ODM

4

5

1)

2)

3) 2-3

6 : 1 ~ 5 7 ~ 30

7 T/T Paypal

8 DHL FEDEX TNT UPS EMS

Q: 1.

Q: 2.

Q: T/T Paypal

DHL FedEx TNT UPS

Q: 3.

A:

Q: 4. 100,000 5000

A: 100,000 5000 3-7 100,000 7-15

Q: 5. OEM

A: OEM

Q: 6. 20

A: 20 RFID/NFC/RFID/RFID

20+ YEARS EXPERIENCE OEM & ODM

ACCESS CONTROL SYSTEMS ONE STOP SOLUTION PROVIDER

Goldbridge is Top 10 China Manufacture On Alibaba, Specializes In Provide Kinds Of RFID/NFC Cards, FID Tags, RFID Card Reader, UHF Reader, Access Control System, Electromagnetic Locks, etc Since 1999



Customized Services



Quality Assurance



Fast Delivery



Best After-Sales Service

OUR FACTORY



- **Access Control and RFID Reader Production Line:**
- Monthly production quantity is up to 50,000pcs, We are Provides OEM&ODM services including product research and development, LOGO printing, customized.etc



- **Electromagnetic lock & Smart Door Lock Production Line :**
- Monthly production quantity is up to 100,000pcs ,
- Our factory is built with modern manufacture environment, facilities, equipment and professional operation technicians.
- Goldbridge Provides OEM&ODM services including product research and development, LOGO printing and product box customized.



- **RFID & NFC Cards & Tags Production Line :**
- RFID Tag, Wristband, Keyfob: 11,000,000pcs (monthly output)
- Four Production Lines For Smart Card, PVC Card, Prelam Sheet: 20,000,000pcs (monthly output)
- Goldbridge Provides OEM&ODM services for LOGO printing, development, customized.

ADVANTAGE



WHY CHOOSE US?

- 1 **FAST DELIVERY** Faster delivery by air by express. (DHL,UPS or Fedex)
- 2 **LONG HISTORY** 20 years experience in RFID & Access Control industry
- 3 **OEM ACCEPTABLE** 20 years OEM&ODM experience for 1000 + VIP client from US and Europe
- 4 **HIGH QUALITY** Design and manufacture high quality produtcs with 30 R&D; engineers.

APPLICATION

Bus, supermarket,school, government, hospital, factory



CERTIFICATE



