

□□□□

1. □□□□□□□□500,000□□□
2. □□□□□□□□-45°C
3. □□□□□□□□□□□□□□□□□□
4. □□□□□□□□□□□□96□□□□□□
5. □□□□EN4/5
6. □□□□□□
7. □□□□□□□□
8. □□□□EN1154□□□□□□
9. □□□□□□□□□□
10. □□□□□□□□□□□□□□□□□□
11. □□□□□□□□□□□□□□□□□□
12. □□□□□□□□□□□□□□□□

□□	□□□
□□	50□65□□
□□	1000mm
□□	□□□□
□□□□	□□□□□□□□□□
□□	-40°C□80°C□-60°C□80°C
□□	90°□□□□□□□□□□□□□□□□
□□□	300000□□ 500000□
□□	175x65x40mm

DOOR CLOSER

Close automatically, fast or slow

OR, SAY, WITH THIS PARTY IN A SWAP A TRAP IN BY MISCELLANEOUS OF THOSE ALL OTHER FOR IT TO BECOME TO BE, BRISTLE (SAND AND VILLAGERS) I OF A
PRELIMINARY ANGEL I AM A POTENTIAL FUGITIVE I WANT YOU TO KNOW WHAT I THINK YOU WANT TO BE (I CAN ADVISE) YOU
LOAD REACHED IN THE KITCHEN
PLACING ANOTHER IN THE



1. First determine the weight of the door



2. Determine the material of the door

Be applicable:

Anti-theft doors, wooden doors, aluminum alloy doors, steel doors, iron doors, fire doors and various styles of door frames (can be fixed with screws), door closers are not divided into left and right.



3. Confirm whether the door and the door frame are on the same plane



The door and the door frame are on the same plane, which can be directly applied

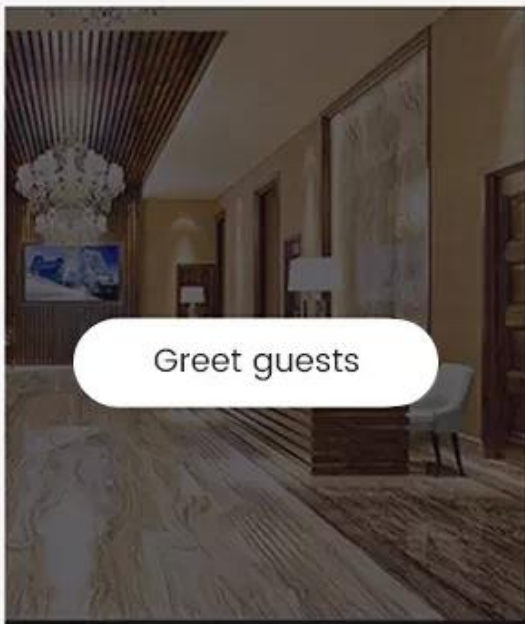
If the door difference is **more than 5cm**, you need accessories, please contact me

4. Automatic or positioning



Automatic door closer

When the door is opened, it will automatically close, with good safety performance, suitable for scenes that need to be closed in time, such as fire doors, fire doors, and building doors.

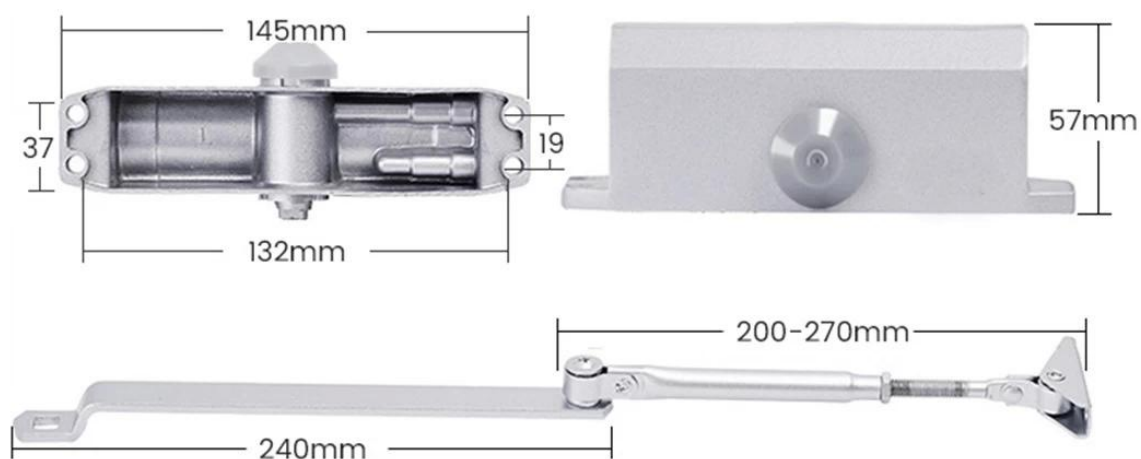


Positioning door closer

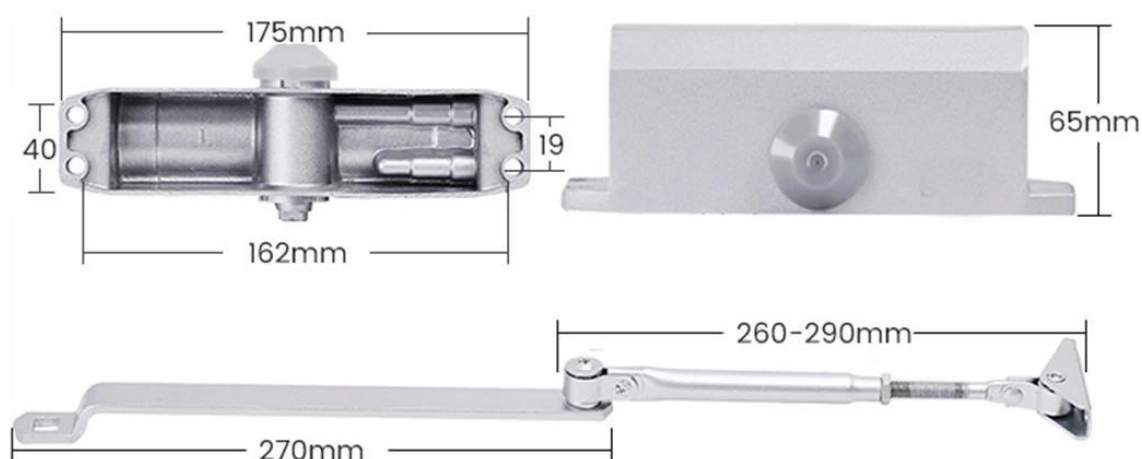
When the door is opened more than 90 degrees, the door closer will be set at 90 degrees, and then it will be closed after another push. It is suitable for long-time door opening such as picking up guests and delivering goods



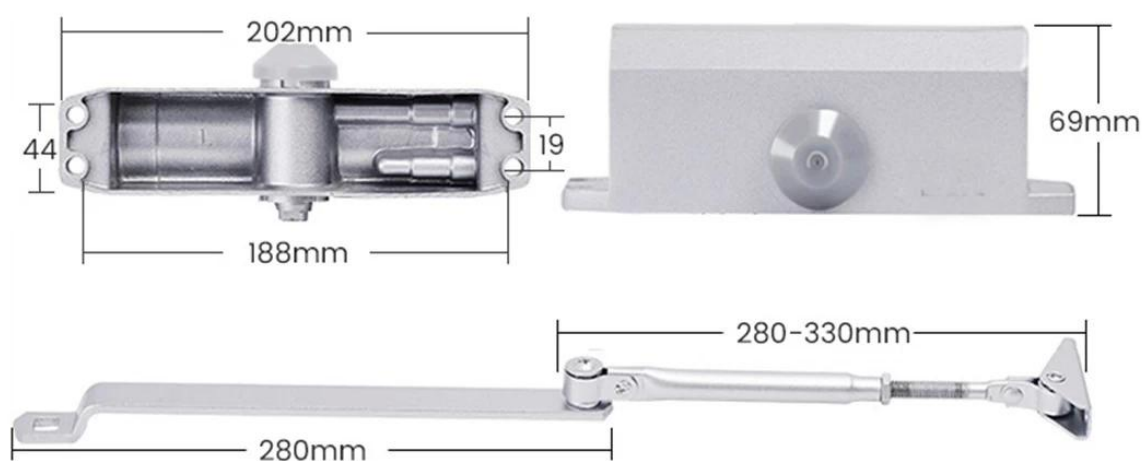
► DL-45 Door Weight: 20-45kg



► DL-60 Door Weight: 50-65kg



► DL-80 Door Weight: 65-85kg



□□□□
□□□□□□□□□□□□□□□□

□□□□□□□□□□□□
□□□□□□□□OEM□□□□□□□□□□□□□□□□

□□□□□□□□
□□500pcs□□□□□□□□□□□□□□□□

□□□□□□□□□□□□□□□□□□□□□□
□□□□□□□□□□□1-2□□□□□□5000□□□□□□□□□□7□□

□□□□□□□□□□
□□□□□□T/T□Western Union□Paypal□□□□□□□□□□30□□□□□□□70□□□□□□□□□□□□

□□□□□□□□□□
□□□□Express□FedEx□DHL□UPS□TNT□□□□□□□□□□□□