



Touch2 IP68 NFC RFID 125KHz&13.56MHz

- > Read 125KHz EM / HID / 13.56MHz /
- > Metal backlight keypad
- > Contains card reader mode. The transmission format could be adjusted by user.
- > Supports different access ways: Entry by Card Code or Entry by multi cards
- > Support master added card and deleted card
- > User capacity: 10,000 users





THREE METHODS



Fingerprint



Password

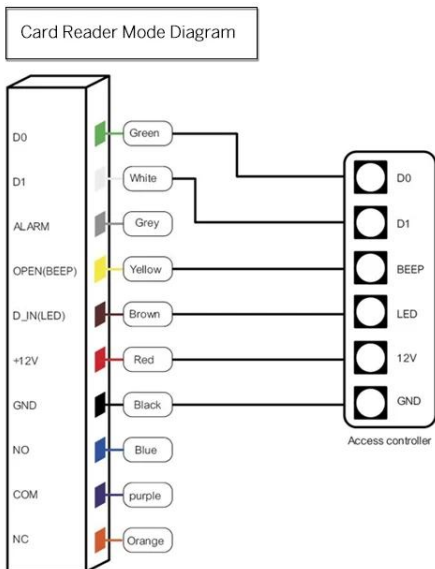
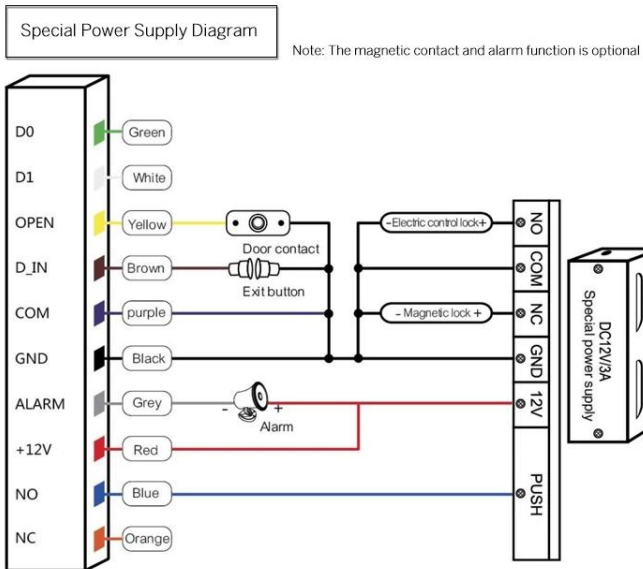
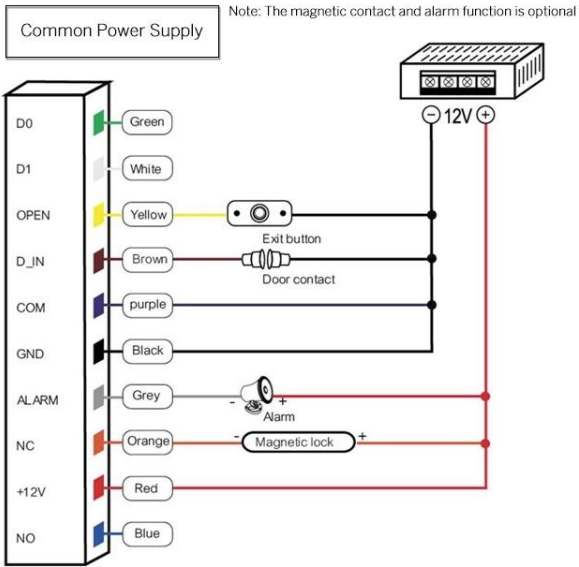


Card

Dimensions(mm)



WIRING DIAGRAM



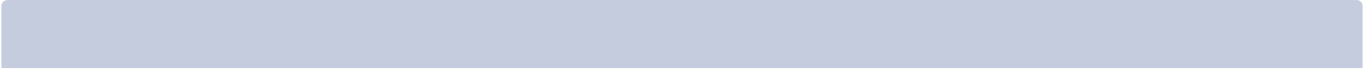


□□□□

□□□DHL□FEDEX□TNT□UPS□EMS□□□□□□□□□□□□□□
□□□□□□□□□□□□□□

□□

□□□□□□: □□□□



□□□□□□

□□□□□□□□□□□□□□□□□□□□□□□□□□□□□□□□





ACM223

RFID EM 125/4000 US
125Khz

ACM209-NW

RFID 125Khz
EM

ACM208

RFID





ACM210

RFID

ACM225

RFID 125Khz EM

ACM211B

RFID

1 24

2

3 OEM/ODM

4

5

1)

2)

3) 2-3

6 : 1 ~ 5 7 ~ 30

7 T/T Paypal

8 DHL FEDEX TNT UPS EMS

Q: 1.

Q: 2.

Q: T/T Paypal

DHL FedEx TNT UPS

Q: 3.

A:

Q: 4. 100,000 5000 3-7 100,000 7-15

A: 100,000 5000 3-7 100,000 7-15

Q: 5. OEM

A: OEM

Q: 6. 20 RFID/NFC/Rfid/Rfid

A: 20 RFID/NFC/Rfid/Rfid