

Description du produit







Specifications:

Card type: EM

Working voltage: DC12V±10%

Reading Range:3-6cm

Humidity: 10% to 90% RH

Door Opening Time:0-99s(Adjustable)

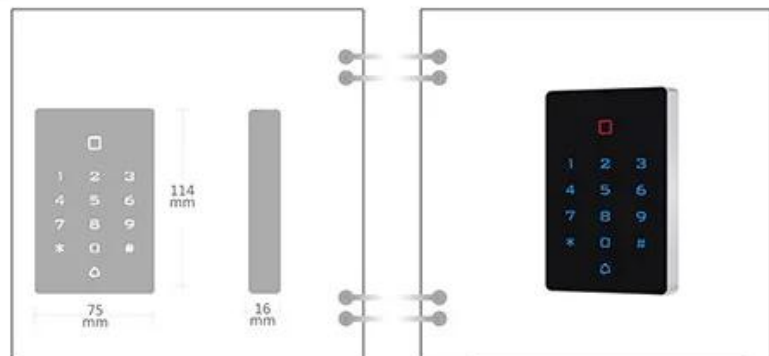
Static electricity: $\leq 30\text{mA}$

Ambient temperature: $-45\text{ }^{\circ}\text{C} \sim 60\text{ }^{\circ}\text{C}$

Electric lock output: $\leq 1\text{A}$

Short-circuit Protect: $\leq 100\mu\text{S}$

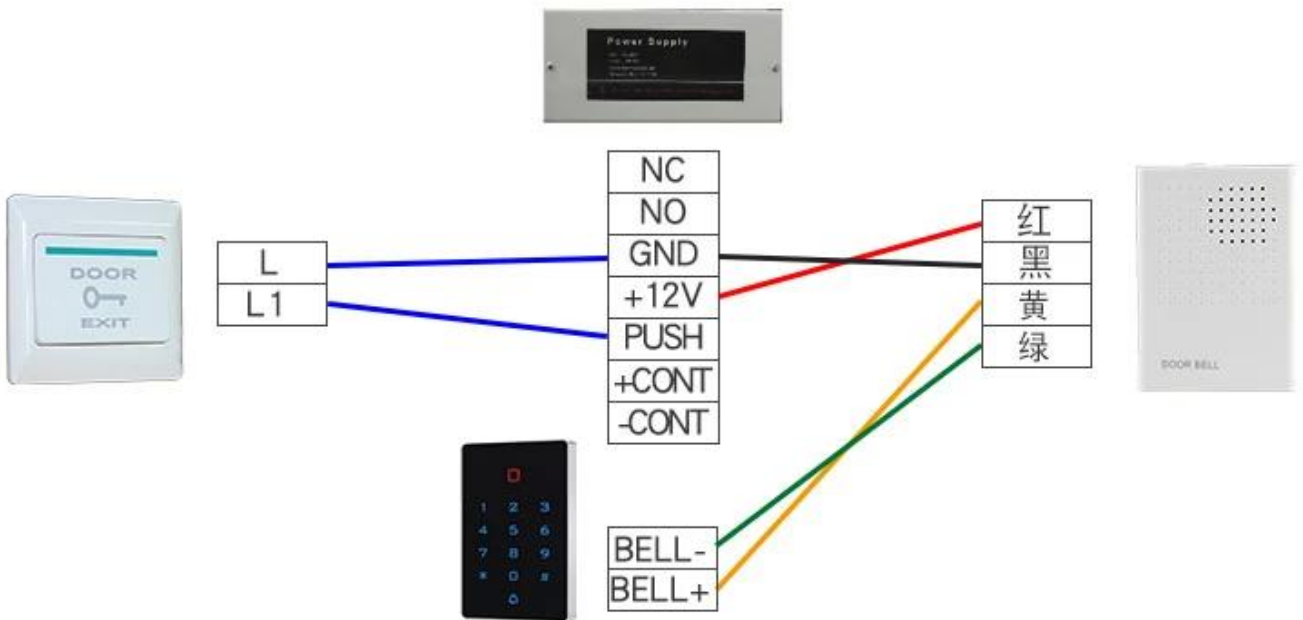
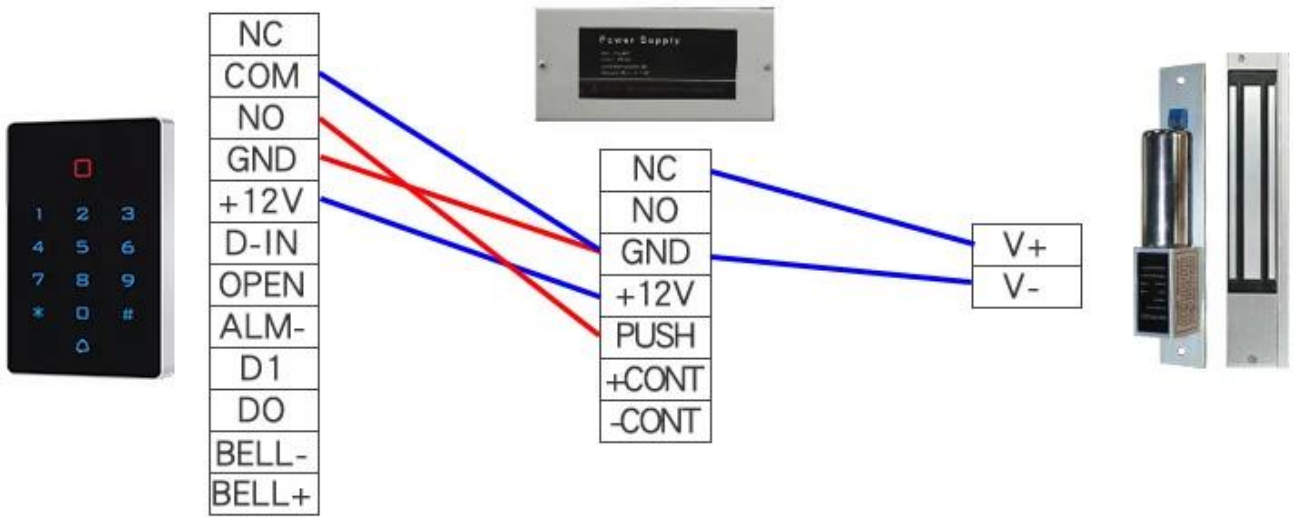
Dimensions: 114*75*16mm



Product Feature

- ◆ Digital backlit touch keypad
- ◆ Multi-function standalone access controller and reader,
- ◆ WG interface: WG26 Input / output
- ◆ Capacity: 2000 cards / codes
- ◆ Three accesses: card, pin, card + pin

•••• PRODUCT DETAILS ••••





4 doors system diagram



Produit	Lecteur de pavés tactiles
La fréquence	125 KHZ
Taille	110 * 71 * 15 mm
Tension de travail	DC 12 V
Courant statique	30MA

