

- 5.reader sensor with high sensitivity, less than 0.1 seconds
- 6.supports a password to open the door, stand-alone card capacity up to 1000
- 7.high-quality nickel alloy metal material, having a tamper alarm and door sensor alarm functions
- 8.exit button and doorbell input function

Product Show

New design Biometric Fingerprint Standalone Access Controller outdoor rfid access control

Product display

The device is a mini metal case standalone RFID/fingerprint access control with embedded design, Support 125KHz EM Card.
It is an ideal choice to install on door frame.



Semiconductor sensor

Waterproof

Embedded Access Control

METAL FINGERPRINT ACCESS CONTROL

Vacuum Insulation Blanket can make it inside the liquid such as water stone cooling, in order to achieve the purpose of heat preservation.



IP66



Fingerprint



Card



Card type: 125KHz EM card

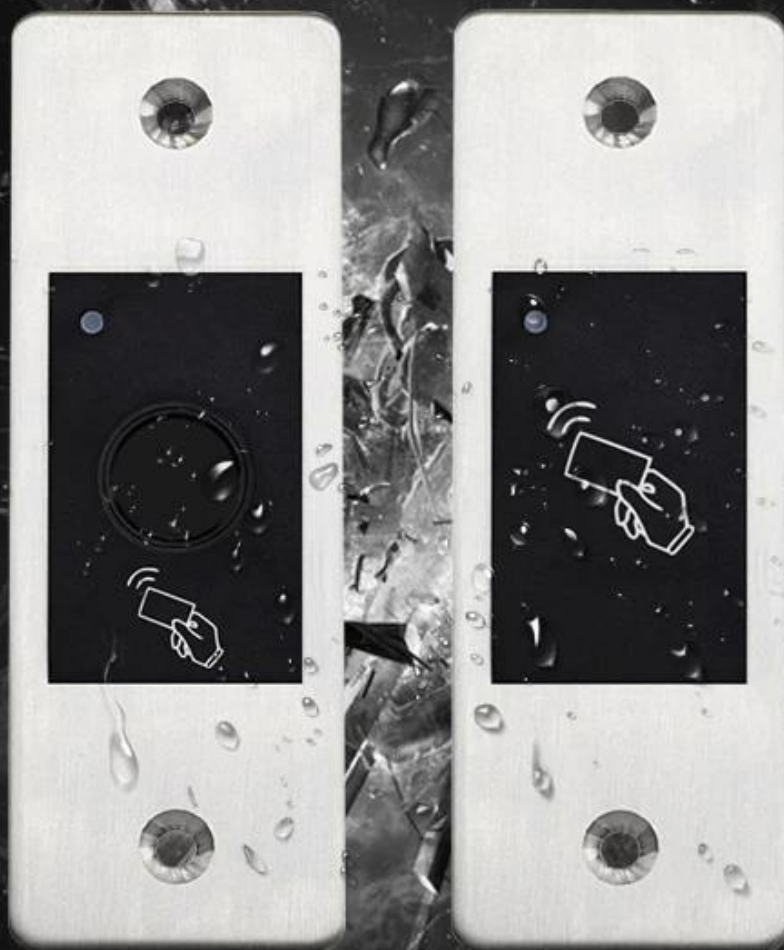
One programmable relay operation

Latch mode to hold door or gate open

Tri-colour LED status display

Waterproof IP66

IP66 waterproof version is very suitable for outdoor use.

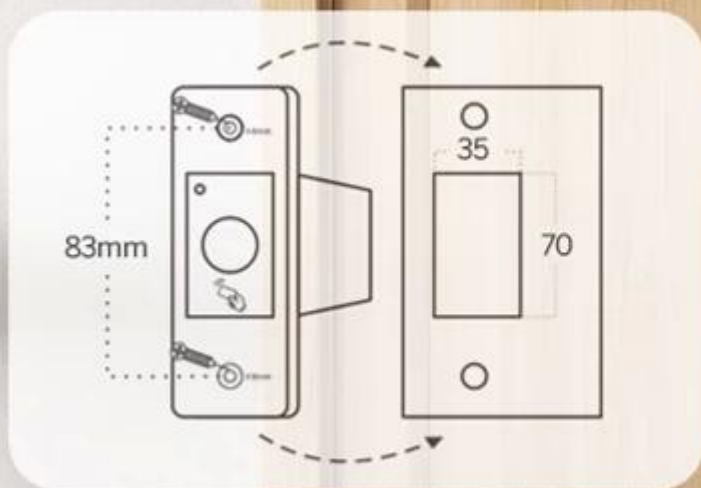


Semiconductor sensor

Using Semiconductor fingerprint sensor

Fast recognition speed, sensitive sensing, can be used by the elderly and children





INSTALLATION

- Drill 2 holes(A,C) on the wall for the screws and one hole for the device
- Knock the supplied rubber bungs to the screw holes(A,C)
- Thread the cable through the hole(B)
- Attach the unit to the hole(B)
- Fix the unit firmly on the wall with 2 flat head screws

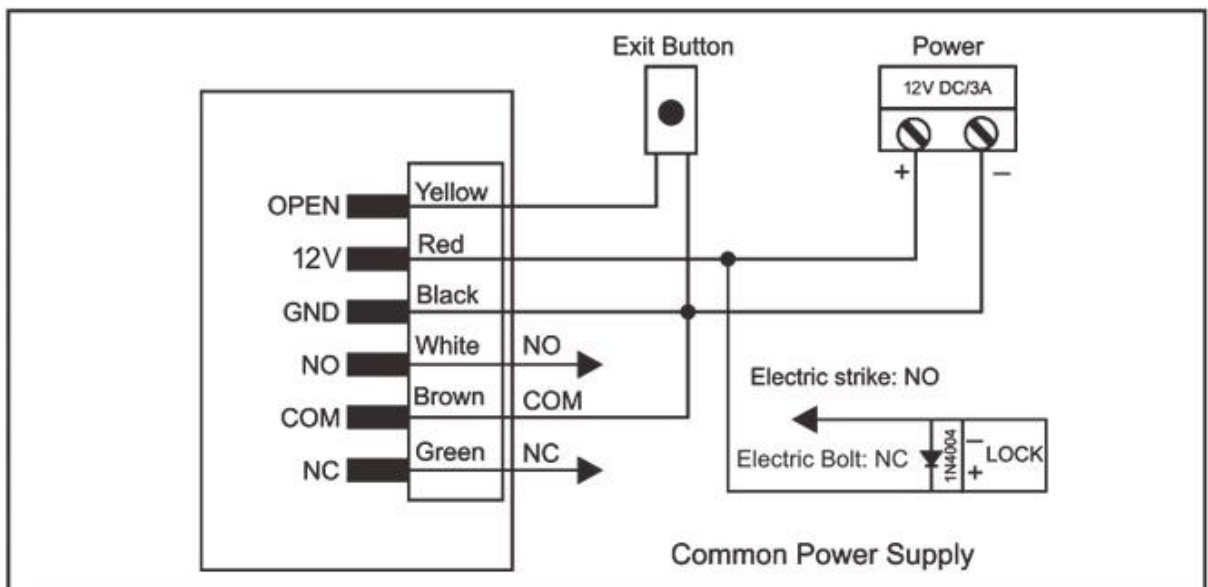
Parameter

Tri-colour LED status display
Supports up to 800 fingerprints and 3000 cards.

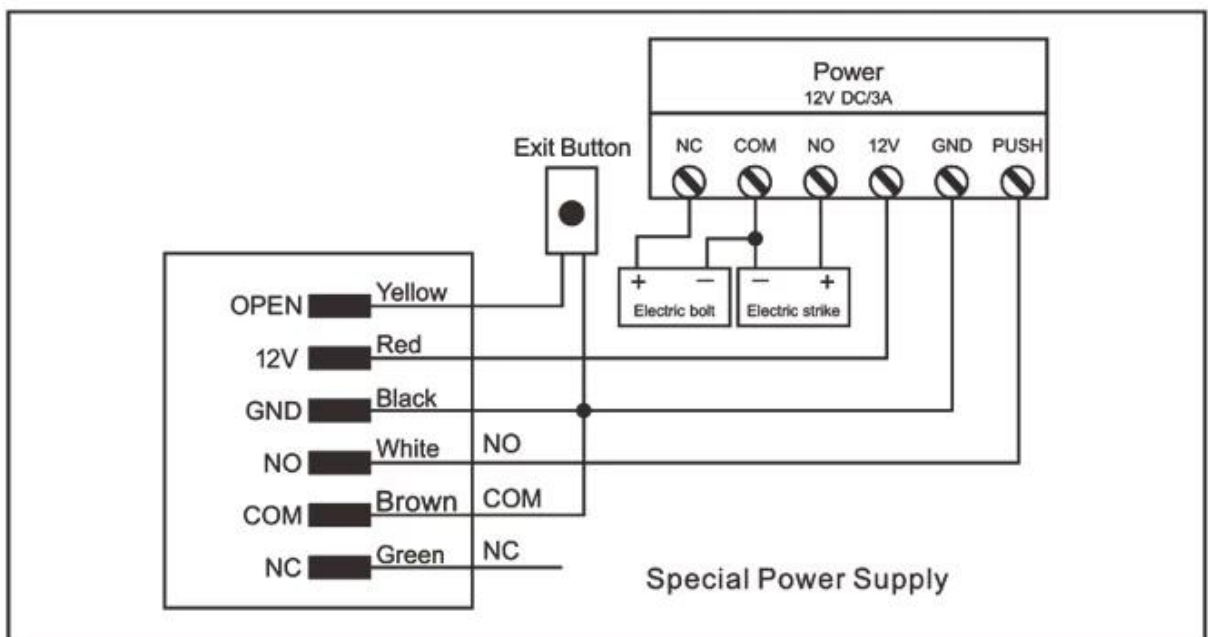


Connection Diagram

Common Power Supply:



Access Control Power Supply:



Packing & Delivery

Shipping Way

We have strong cooperation with DHL, FEDEX, TNT, UPS, EMS, Forwarder by SEA and By AIR. You also can choose your own shipping forwarder.

Packaging

Keypad access control packaging: Normal packing

You might like

We are manufacturers of professional access control, we have a complete product access control system as follows:



ACM223

RFID touch keyboard and keyboard
access control, capacity EM
125/4000 US 125Khz

ACM209-NW

Keyboard Access control to a metal
RFID (not waterproof) door, 125Khz
EM

ACM208

RFID reader with single waterproof
door and access control





ACM210

Access control with single RFID
metal door (not waterproof)

ACM225

RFID touch control access control,
125Khz EM, can connect the
wiegand reader

ACM211B

Touch keypad Metal case Waterproof
RFID access control, Can connect the
wiegand reader

Our service

- 1, all questions will be answered within 24 hours
- 2, professional manufacturer and supplier, welcome to visit our website and our factory
- 3, OEM / ODM available
- 4, high quality, fashin desing, reasonable and competitive price, quick delivery time
- 5, after-sales service:
 - 1), all the products will have been strictly checked at home before packing
 - 2), all products will be well packed before shipment
 - 3), All our products have a 2-3 year warranty if the damage is not caused by human being
- 6, faster delivery : About 1 ~ 5 days for sample order, 7 ~ 30 days for bulk order
- 7, payment: You can pay for the order via: T / T, Western Union, Paypal, Ali commercial insurance
- 8, shipping: We have a strong partnership with DHL, FEDEX, TNT, UPS, EMS, freight forwarder by sea and by air, you can also choose your freight forwarder.

FAQ

Q: 1. How can I place an order?

A: List your needs by e-mail. Then we will send you the offer as soon as possible, after order

confirmation, we will organize the production as soon as possible.

Q: 2. What about payment and shipping?

A: Commercial warranty and T / T, Paypal, Western Union.
Customers can choose by sea, air or express (DHL, FedEx, TNT UPS etc.)

Q: 3. How can I get a sample to check the quality?

A: We could supply you free sample and the freight cost paid by you.

Q: 4. How long can I wait to get the samples?

A: it depends on the quantity. Normally 3-7 days for 5000 pieces and 7-15 days for 100,000 pieces

Q: 5. Can your products be customized?

A: Almost all your products are customized, including material, size, thickness and printing. OEM orders are welcome.

Q: 6. Are you a trading company or factory?

We are one of the leading manufacturers of RFID cards / NFC tags / RFID keybod / RFID reader RFID reader and access control products in China for over 20 years.