



Bluetooth Outdoor Metal RFID PIN Keypad
Access Controller

Convertible working modes, more
possibilities . Standalone mode, controller
mode, Reader Mode .

It is a widely used access control system
entrances and exits at offices, factories,
hotels, schools and other public places.All
input/output uses anti-jamming protection
and over-voltage/circuit protection.

Specification

U
P
E
N
S
A
P
A
t
t
O
t
y
N
o
r
m
a
l
U
s
e
r
s
V
i
s
i
t
o
r
U
s
e
r
s

0
P
e
s
y
D
C
h
g
X
s
h
A
a
g
e
I
d
l
e
C
u
r
r
e
n
t
A
c
t
i
v
e
C
u
r
r
e
n
t

W
è
r
a
y
©
C
o
p
y
r
i
g
h
t
s
B
u
t
t
o
n

Q
R
E
A
N
D
P
N
C
S
C
a
h
h
e
R
E
I
a
Q
Q
a
c
p
n
d
E
I
h
e
E
o
k
O
s
d
P
fi
a
L
b
a
p
3
A
m
p
M
a
x
i
m
u
m

M
a
t
t
e
r
b
r
m
6
n
4
O
P
e
b
a
C
i
n
g
T
E
m
p
4
r
E
t
h
%
R
H
p
0
%
R
H
i
n
g
H
u
m
i
d
i
t
y

Ph
m
s
i
A
h
l
S
M
E
h
a
t
e
F
u
n
e
P
h
W
d
m
e
C
o
a
b
a
s
U
h
x
6
W
6
W
S
N
t
S
H
(
P
m
)
n
S
W
S
g
S
H
G

Advantage

Bluetooth Metal Access Control

- * Waterproof, conforms to IP66
- * One relay, 1000 users
- * Wiegand 26~37 bits input & output
- * User data can be transferred by Wiegand line
- * Access modes: Card, PIN, Card + PIN, Multi Cards/PINs, Mobile phone
- * PIN length: 4~6 digits
- * Pulse mode, toggle mode
- * 2pcs device support interlock for two doors
- * With Bluetooth, APP configuration

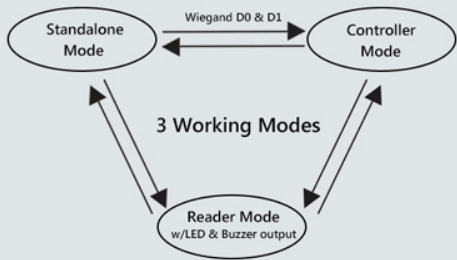
Product Show





Various ways to open door
make easy and safe entrance

Pressing a button, door opens!



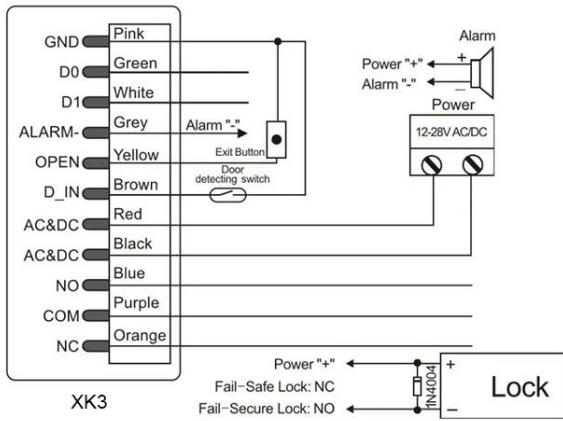
Convertible working
modes, more possibilities.

All key is metal, with hidden key frame

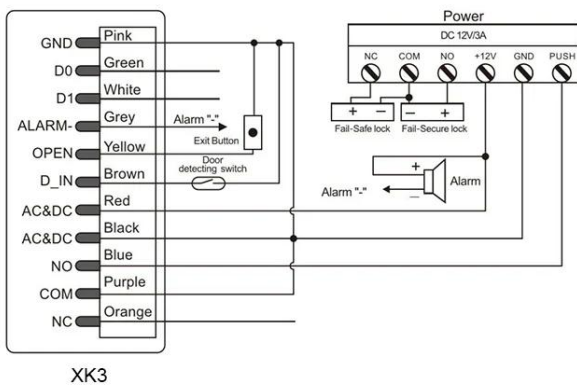


Wide Voltage Range:
12 ~ 28
VOLTS VOLTS

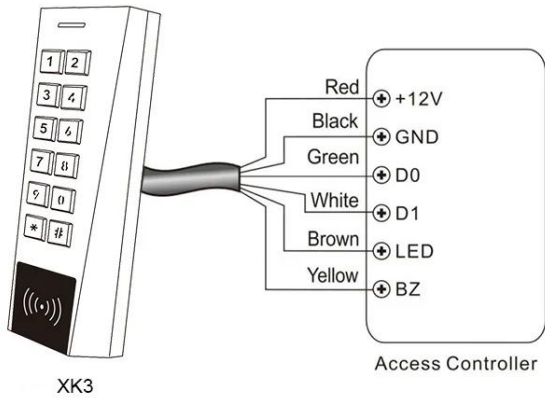
Common Power Supply



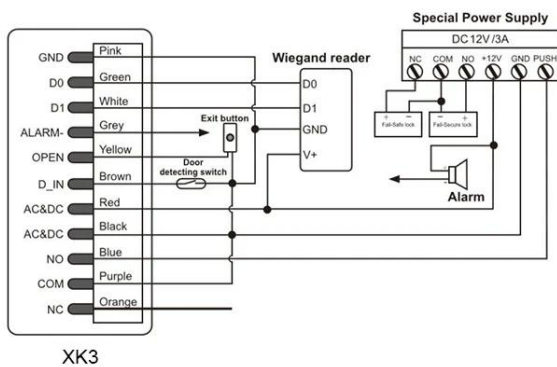
Access Control Power Supply



Work as Wiegand Reader



Controller



Packing & Delivery



To better ensure the safety of your goods, professional, environmentally friendly, convenient and efficient packaging services will be provided.

Our service

- 1, all questions will be answered within 24 hours
- 2, professional manufacturer and supplier, welcome to visit our website and our factory
- 3, OEM / ODM available
- 4, high quality, fashion desing, reasonable and competitive price, quick delivery time
- 5, after-sales service:
 - 1), all the products will have been strictly checked at home before packing
 - 2), all products will be well packed before shipment
 - 3), All our products have a 2-3 year warranty if the damage is not caused by human being
- 6, faster delivery : About 1 ~ 5 days for sample order, 7 ~ 30 days for bulk order
- 7, payment: You can pay for the order via: T / T, Western Union, Paypal, Ali commercial insurance
- 8, shipping: We have a strong partnership with DHL, FEDEX, TNT, UPS, EMS, freight forwarder by sea and by air, you can also choose your freight forwarder.

FAQ

Q: 1. How can I place an order?

A: List your needs by e-mail. Then we will send you the offer as soon as possible, after order confirmation, we will organize the production as soon as possible.

Q: 2. What about payment and shipping?

A: Commercial warranty and T / T, Paypal, Western Union.
Customers can choose by sea, air or express (DHL, FedEx, TNT UPS etc.)

Q: 3. How can I get a sample to check the quality?

A: We could supply you free sample and the freight cost paid by you.

Q: 4. How long can I wait to get the samples?

A: it depends on the quantity. Normally 3-7 days for 5000 pieces and 7-15 days for 100,000 pieces

Q: 5. Can your products be customized?

A: Almost all your products are customized, including material, size, thickness and printing. OEM orders are welcome.

Q: 6. Are you a trading company or factory?

We are one of the leading manufacturers of RFID cards / NFC tags / RFID keybod / RFID reader RFID reader and access control products in China for over 20 years.