

Product Description

The device is a mini metal case standalone RFID/fingerprint access control with embedded design, Support 125KHz EM Card. It is an ideal choice to install on door frame.

IP66 waterproof is very suitable for outdoor use. It supports master card and master fingerprint for easy operation.

Semiconductor sensor

Waterproof

Embedded Access Control

METAL FINGERPRINT ACCESS CONTROL

Vacuum insulation blanket can make in inside the liquid such as water slow cooling, in order to achieve the purpose of heat preservation.

IP66 Fingerprint Card

Card type: 125KHz EM card
One programmable relay operation
Latch mode to hold door or gate open
Tri-colour LED status display

Features:

- > Embedded design with mini size
- > Metal case and waterproof, conform to IP66
- > User capacity: 3000 Cards.
- > Card type: 125KHz EM Card

- > One programmable relay operation
- > Latch mode to hold door or gate open
- > Tri-colour LED status display

Zinc-alloy Plate

The overall body shell is made of metal material

The material is thick, sturdy and durable, and the texture is outstanding, showing the distinctive quality



Semiconductor sensor

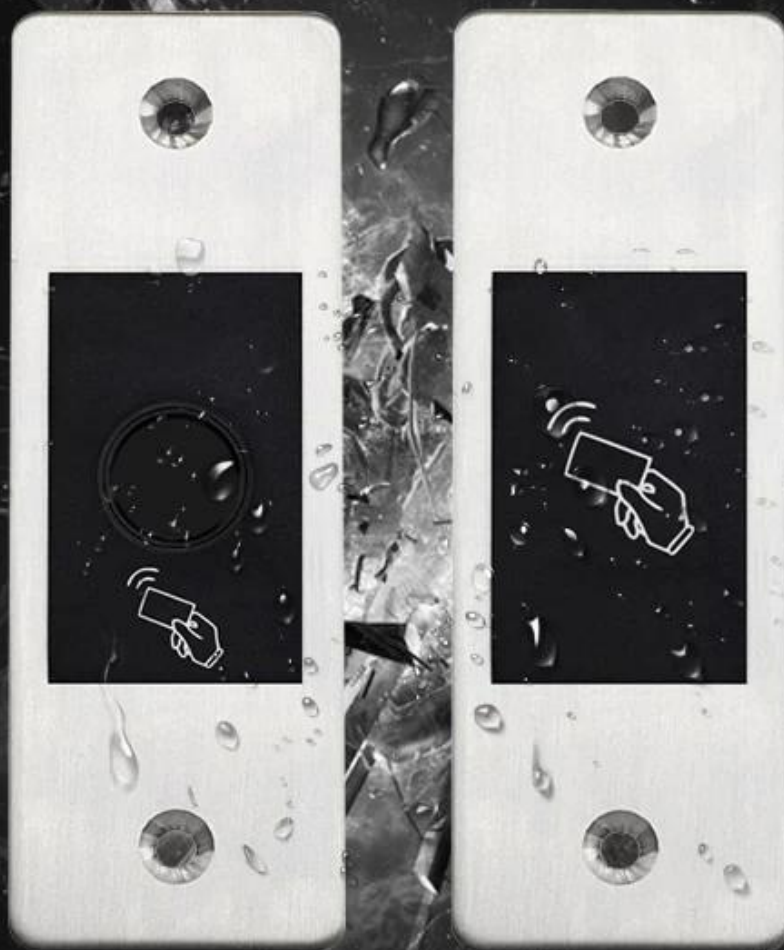
Using Semiconductor fingerprint sensor

Fast recognition speed, sensitive sensing, can be used by the elderly and children



Waterproof IP66

IP66 waterproof version is very suitable for outdoor use.

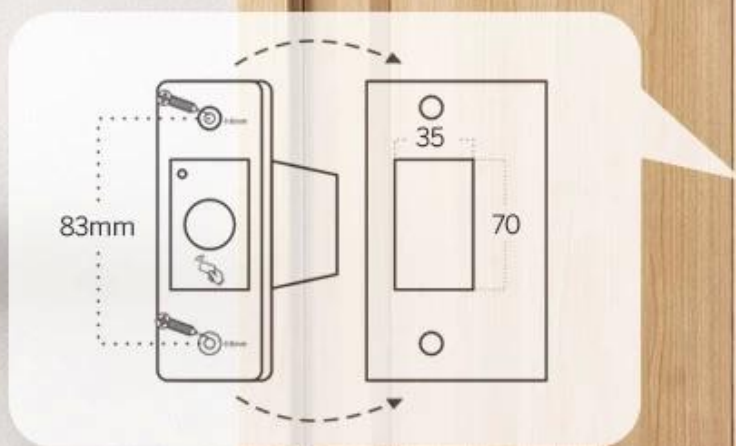


Product display

The device is a mini metal case standalone RFID/fingerprint access control with embedded design, Support 125KHz EM Card.
It is an ideal choice to install on door frame.



User Capacity	3000 Cards
Operating Voltage	DC9~24V
Idle Current	≤25mA
Active Current	≤100
Proximity Card Reader	EM
Radio Technology	125KHz Proximity Card
Read Range	2cm
Wiring Connections	Relay Output, Exit Button
Relay	One (NO, NC, Common)
Adjustable Relay Output Time	0-99 Seconds (5 seconds default)
Lock Output Load	2 Amp Maximum
Environment	Meets IP66
Operating Temperature	-25°C~60°C (-13°F ~140°F)
Operating Humidity	20%RH-98%RH
Physical	Zinc-alloy plate
Colour	Silver & Black
Dimensions	L115xW40xH30mm
Unit Weight	105g
Shipping Weight	185g



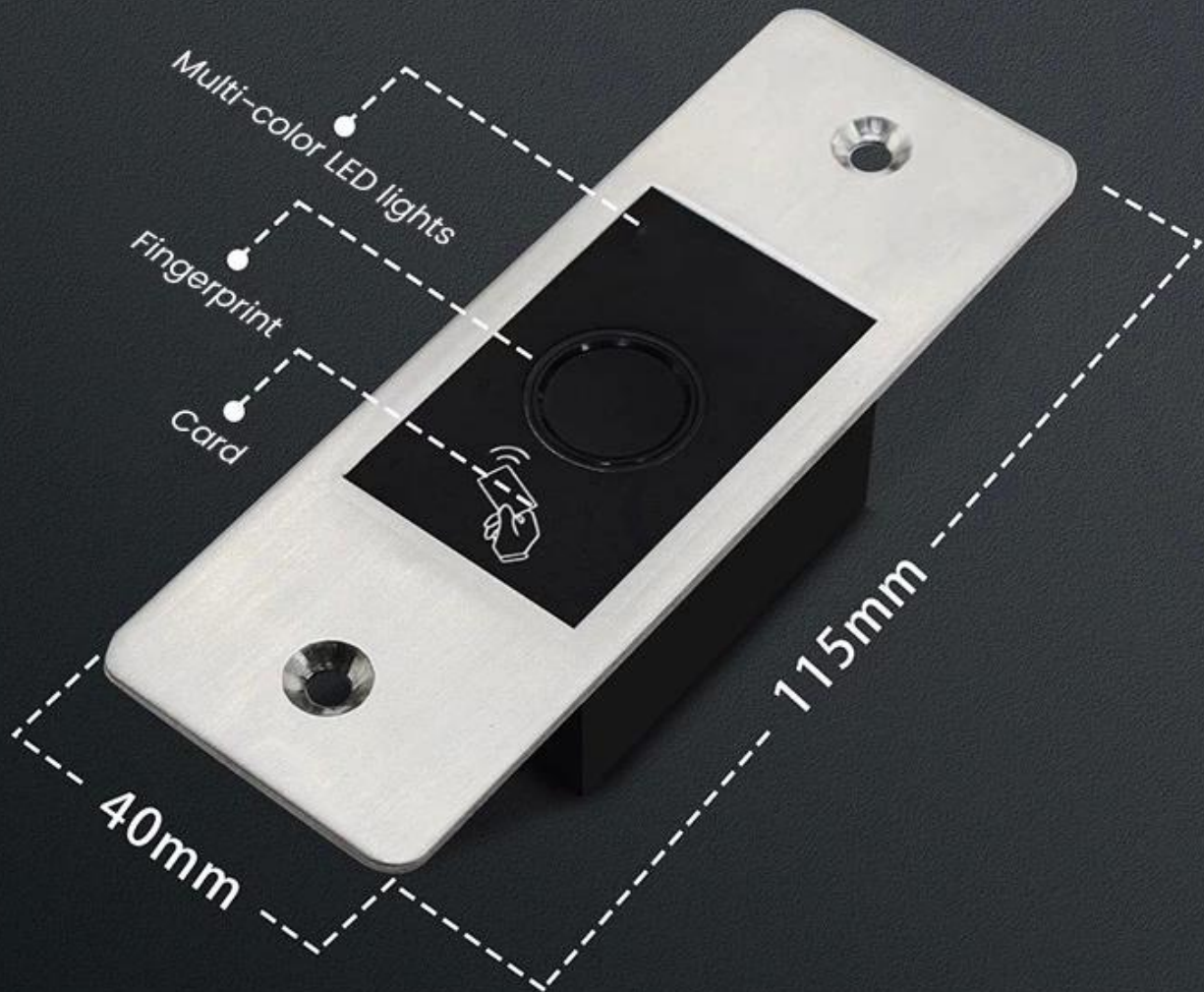
INSTALLATION

- Drill 2 holes(A,C) on the wall for the screws and one hole for the device
- Knock the supplied rubber bungs to the screw holes(A,C)
- Thread the cable through the hole(B)
- Attach the unit to the hole(B)
- Fix the unit firmly on the wall with 2 flat head screws



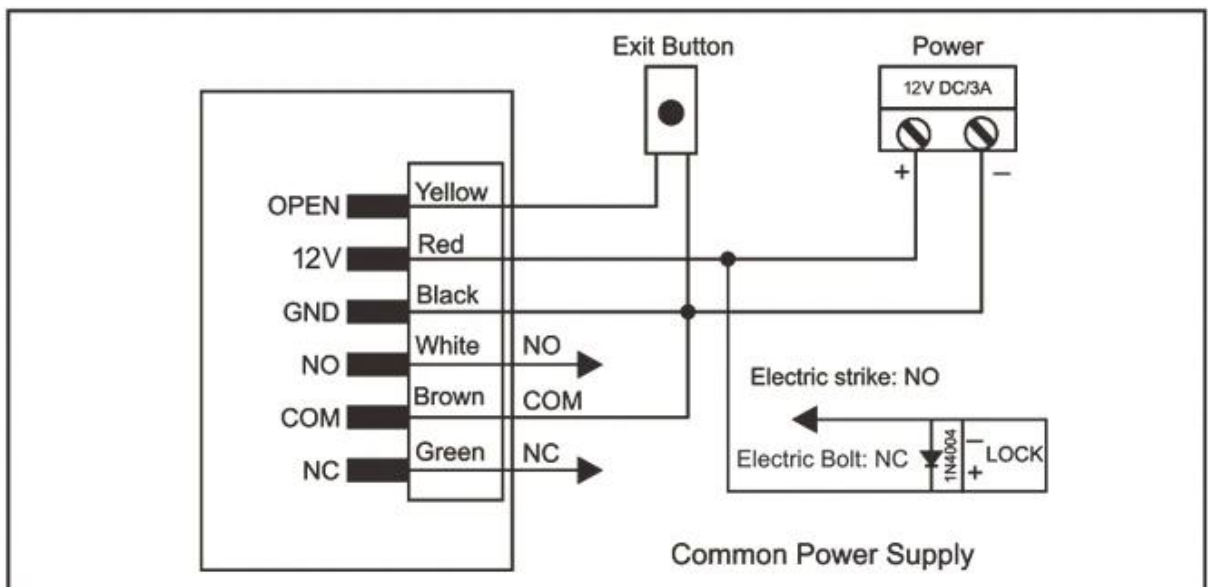
Parameter

Tri-colour LED status display
Supports up to 800 fingerprints and 3000 cards.



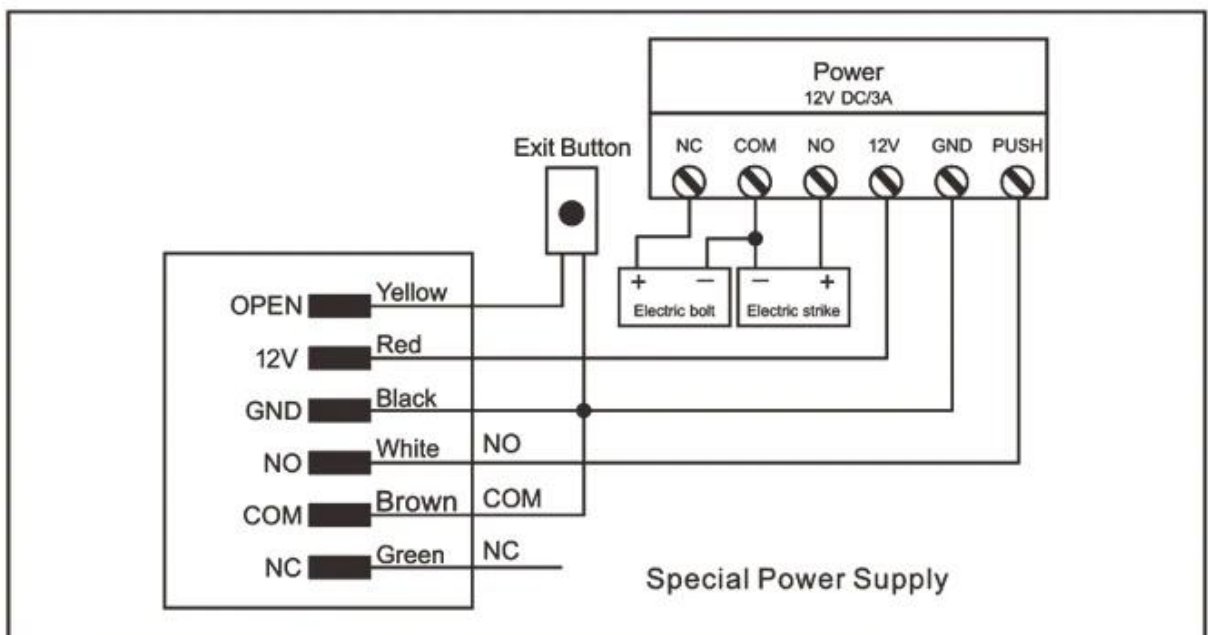
Connection Diagram

Common Power Supply:



Attention: Install a 1N4004 or equivalent diode is needed when use a common power supply, or the keypad might be damaged. (1N4004 is included in the packing)

Access Control Power Supply:



You May Like

We are manufacturers of professional access control, we have a complete product access control system as follows:



ACM223

RFID touch keyboard and keyboard access control, capacity EM
125/4000 US 125Khz

ACM209-NW

Keyboard Access control to a metal RFID (not waterproof) door, 125Khz
EM

ACM208

RFID reader with single waterproof door and access control



ACM210

Access control with single RFID metal door (not waterproof)

ACM225

RFID touch control access control,

125Khz EM, can connect the
wiegand reader

ACM211B

Touch keypad Metal case Waterproof
RFID access control, Can connect the
wiegand reader

Our service

- 1, all questions will be answered within 24 hours
- 2, professional manufacturer and supplier, welcome to visit our website and our factory
- 3, OEM / ODM available
- 4, high quality, fashion desing, reasonable and competitive price, quick delivery time
- 5, after-sales service:
 - 1), all the products will have been strictly checked at home before packing
 - 2), all products will be well packed before shipment
 - 3), All our products have a 2-3 year warranty if the damage is not caused by human being
 - 6, faster delivery : About 1 ~ 5 days for sample order, 7 ~ 30 days for bulk order
 - 7, payment: You can pay for the order via: T / T, Western Union, Paypal, Ali commercial insurance
 - 8, shipping: We have a strong partnership with DHL, FEDEX, TNT, UPS, EMS, freight forwarder by sea and by air, you can also choose your freight forwarder.

FAQ

Q: 1. How can I place an order?

A: List your needs by e-mail. Then we will send you the offer as soon as possible, after order confirmation, we will organize the production as soon as possible.

Q: 2. What about payment and shipping?

A: Commercial warranty and T / T, Paypal, Western Union.
Customers can choose by sea, air or express (DHL, FedEx, TNT UPS etc.)

Q: 3. How can I get a sample to check the quality?

A: We could supply you free sample and the freight cost paid by you.

Q: 4. How long can I wait to get the samples?

A: it depends on the quantity. Normally 3-7 days for 5000 pieces and 7-15 days for 100,000 pieces

Q: 5. Can your products be customized?

A: Almost all your products are customized, including material, size, thickness and printing. OEM orders are welcome.

Q: 6. Are you a trading company or factory?

We are one of the leading manufacturers of RFID cards / NFC tags / RFID keybod / RFID reader RFID reader and access control products in China for over 20 years.

