

High quality smart release stainless steel door exit button for access control system

1. Made of durable and tall material.
2. Tested at 500,000 cycles
3. Three contact outputs, suitable for all types of locks
4. The best choice for access control

exit button for access control Technical specifications:

P
a
d
m
e
t
e
r
a
d
a
m
e
t
r
e
p
t
i
o
n
Ø
6
h
k
a
6
W
o
m
e
)
C
o
n
t
e
n
t
s
A
a
l
u
a
t
i
o
n

N
O
t
N
E
t
C
O
M
t
a
c
t
M
e
e
h
à
B
i
c
a
l
l
i
f
e

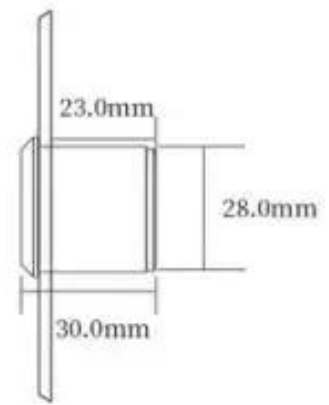
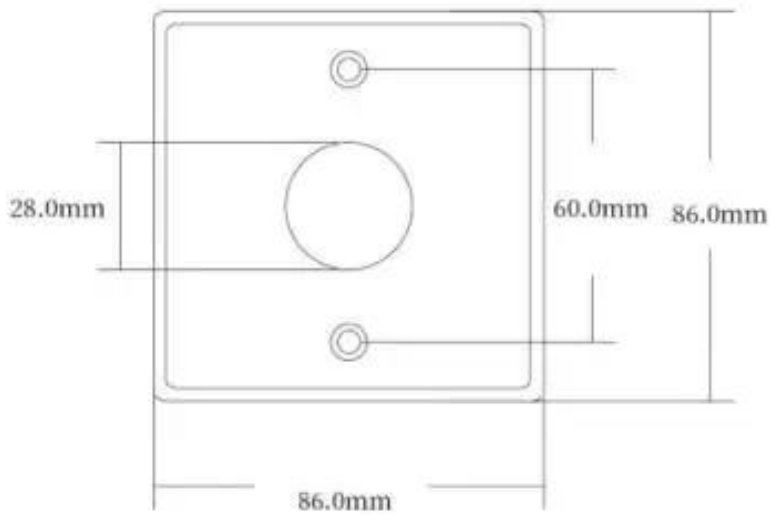
M
a
7
m
m
t
h
l
c
k
n
e
s
s
s
i
n
s
t
a
i
n
l
e
s
s
s
s
t
e
e
l
O
P
C
r
a
5
5
C
G
T
A
m
p
3
1
F
)

S
B
5
%
á
b
è
È
h
t
m
v
d
h
t
m
i
d
i
t
y
)
D
e
t
B
c
m
(
a
d
r
a
g
a
b
l
e
)
W
e
B
g
g
t

exit button for access control Advantage:

- High quality material, fireproof resin shell, safe and durable.
 - Works with most electronic access control keypads, intercoms with access control keypads.
 - Activate electric strike, magnetic lock or other electric lock via access control keypad.
- Flush mount, easy to use and use.



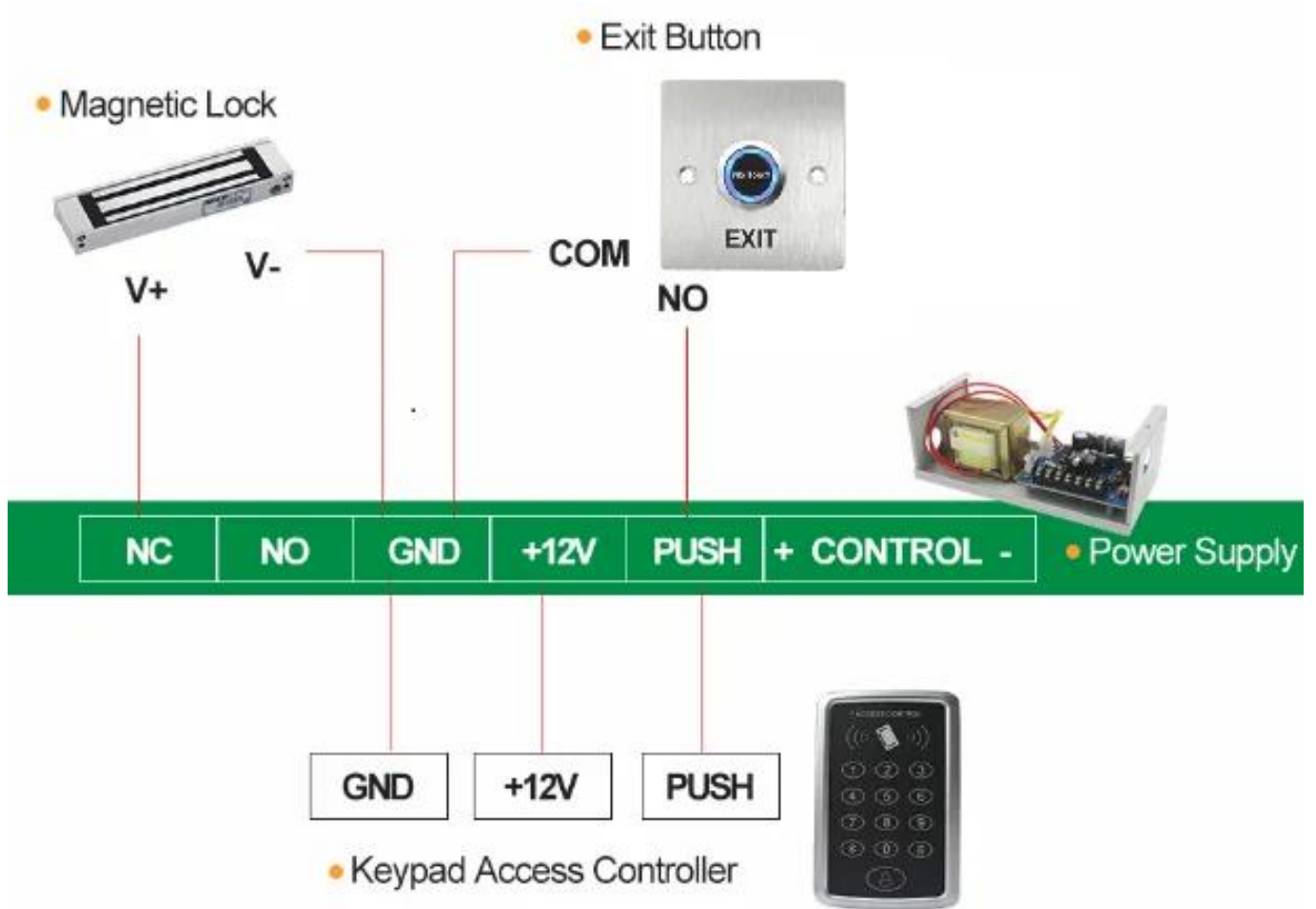


[Click here to order and get your FREE SAMPLE in 3 days !!!](#)

We are professional suppliers of full security access control products with 20 years of experience, we make sure to offer the best access control system solution! So, submit your inquiry details below, click "Submit" now!

We are looking forward to establishing successful business relationships with new customers around the world in the future.

Application



Packaging and delivery

Unit Type: Piece

Package Weight: 0.3kg

Package Size: 10cm x 10cm x 8cm



Shipping way

We have been a leading exporter of RFID products in China for 2000 years. With rich experience in international trade, we know international shipping very well, we know which express or air / sea line is cheap and safe for your country. We can provide various certificates to clean your habit for example CO, FTA, form F, form E ... ect. We will provide our professional shipping suggestion. EXW, FOB, FCT, CIF, CFR ...

trade terms are ok for us. We can be your reliable partner for products and shipments.

Our service

- 1, All inquiries will be answered within 24 hours
- 2, professional manufacturer and supplier, welcome to visit our website and factory
- 3, OEM / ODM available
- 4, high quality, fashin design, reasonable and competitive price, fast delivery time
- 5, after-sales service:
 - 1), All products will have been strictly checked in house before packing
 - 2), All products will be well packed before shipping
 - 3), All of our products have 2-3 years warranty if the damage is not caused by man
- 6, faster delivery : About 1 ~ 5 days for sample order, 7 ~ 30 days for bulk order
- 7, payment: You can pay for the order via: T / T, Western Union, Paypal
- 8, Shipping: We have strong cooperation with DHL, FEDEX, TNT, UPS, EMS, Forwarder by SEA and By AIR, you can also choose your own forwarder.

FAQ

Q: 1. How can I place an order?

A: Please indicate your needs by email. Then we will send you the offer as soon as possible, after your order is confirmed, we will arrange the production as soon as possible.

Q: 2. What about payment and shipping?

A: T / T, Paypal, Western Union.

Customers can choose by sea, air or express (DHL, FedEx, TNT UPS etc.)

Q: 3. How can I get a sample to check the quality?

A: We could provide you with free sample and the freight cost paid by you.

Q: 4. How long can I expect to get the samples?

A: It depends on the quantity. Normally 3-7 days for 5000 pieces and 7-15 days for 100,000 pieces

Q: 5. Can your products be customized?

A: Almost all of your products are customized, including matter, size, thickness and printing. OEM orders are welcome.

Q: 6. Are you a trading company or a factory?

We are one of the largest manufacturers of RFID cards / NFC tags / RFID keybods / RFID wristband, rfid reader and access control products in China for over 20 years.

