

## Hand Wave Sensor Button for Touchless Switch with Microwave Technology

**Model No: ACM-K7A**

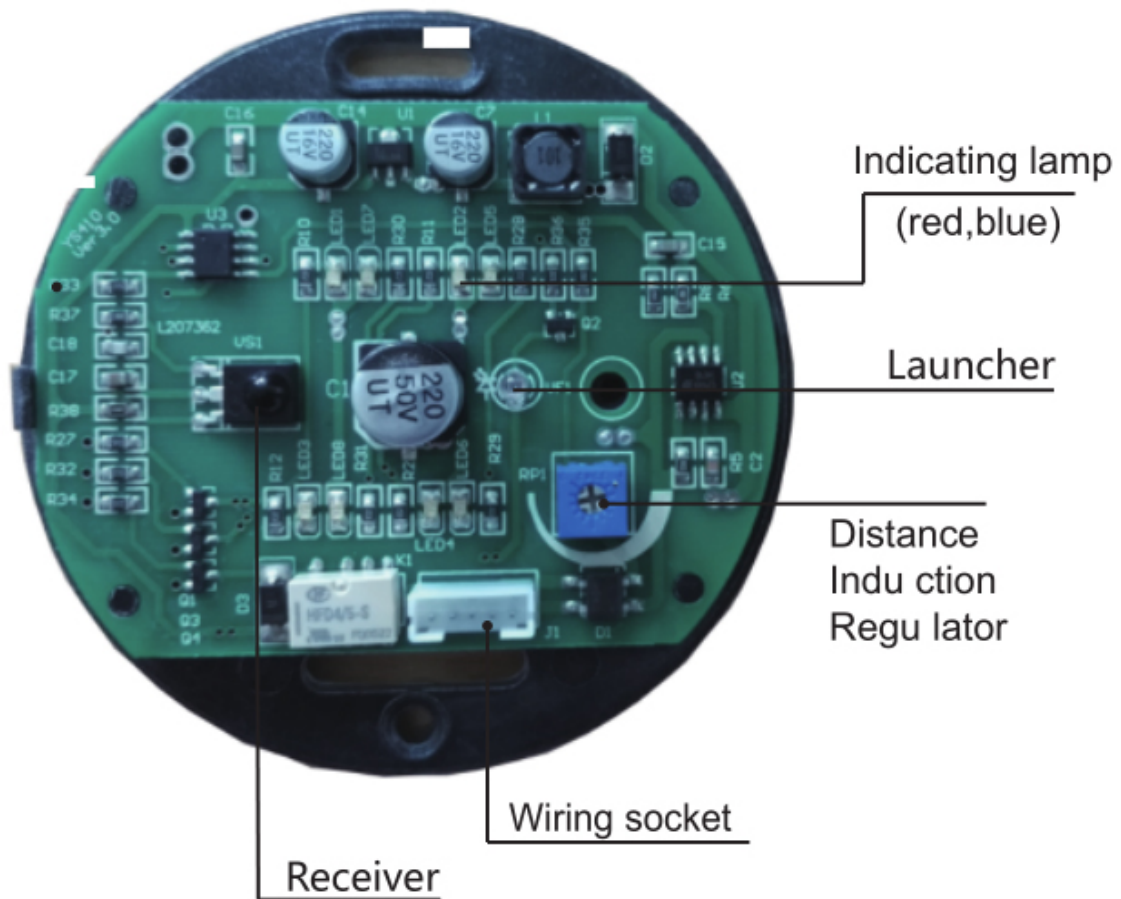
### What is Hand Wave Sensor Button?

Hand Wave Sensor Button It is activated by hands waving. After correctly connected this sensor with your power supply and access control system, when you wave your hand at the sensor, the door will turn on automatically.

### The overall features:

- > Adopt infrared modulation-demodulation, interference signal will not be caused.
- > With the non-contact induction design, door can be opening an easy and clean way.
- > Transmit distance is adjustable from 1 to 15cm, can be set according to actual occasion.
- > Low-power design with longer service life.
- > Adopt high-sensitivity infrared tubes, quick response for door opening.
- > Installation with hidden screw hole, the appearance with the sense of science.
- > With dry contact signal output, easy to link with various gated equipment.
- > Instruction with light indicator.
- > Power supply: 12-36V DC/AC.

Supply power	AC/DC 12V~36V
Static parameter	DC12V 22mA
Action current	DC12V 55mA
Transmit distance	1~15CM adjustable
Operation Frequency	38KHZ
Working environment humidity	-20°C~45°C
Dimension	113x63x20mm
Fixed way	Fixed with hidden screw
Total Weight	108G



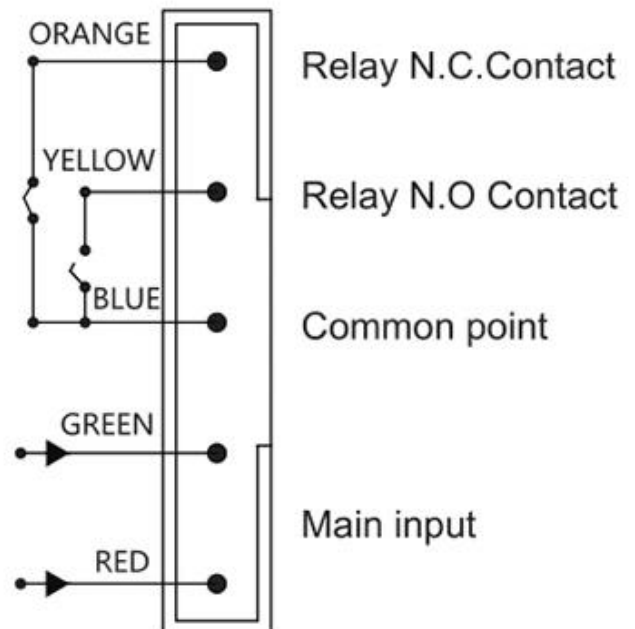
- Orange
- Yellow
- Blue
- Green
- Red

NC

NO

COM

AC/DC  
12V~36V



## Dimensions(mm)



## Yours may need

We can supply many kinds of door switches. Touch, No touch, glass break, key switch. Click on the photo above to find more details. Or do not hesitate to send us a request to request the price list.





No touch Door Release Exit Button

K2B: 86 \* 86mm

No touch Door Release Exit Sensor

K9A: 115 \* 40mm

Door release button, (stainless steel,  
NO / NC) K5B: 86 \* 86mm



Door release button, (steel,

aluminum, NO), K4B: 86 \* 86mm  
High quality Kirsite made of stainless  
steel. K14B: 86 \* 86mm  
PUSH door release button in  
stainless steel; K815B: 86 \* 86mm

## Our service

- 1, All inquiries will be answered within 24 hours
- 2, professional manufacturer and supplier, welcome to visit our website and factory
- 3, OEM / ODM available
- 4, high quality, fashin design, reasonable and competitive price, fast delivery time
- 5, after-sales service:
  - 1), All products will have been strictly checked in house before packing
  - 2), All products will be well packed before shipping
  - 3), All of our products have 2-3 years warranty if the damage is not caused by man
- 6, faster delivery : About 1 ~ 5 days for sample order, 7 ~ 30 days for bulk order
- 7, payment: You can pay for the order via: T / T, Western Union, Paypal
- 8, Shipping: We have strong cooperation with DHL, FEDEX, TNT, UPS, EMS, Forwarder by SEA and By AIR, you can also choose your own forwarder.

## FAQ

### **Q: 1. How can I place an order?**

A: Please indicate your requirements by email. Then we will send you the offer as soon as possible, after your order has been confirmed, we will arrange the production as soon as possible.

### **Q: 2. What about payment and shipping?**

A: T / T, Paypal, Western Union.

Customers can choose by sea, air or express (DHL, FedEx, TNT UPS etc.)

### **Q: 3. How can I get a sample to check the quality?**

A: We could provide you with free sample and the freight cost paid by you.

### **Q: 4. How long can I expect to get the samples?**

A: It depends on the quantity. Normally 3-7 days for 5000 pieces and 7-15 days for 100,000 pieces

### **Q: 5. Can your products be customized?**

A: Almost all of your products are customized, including material, size, thickness and printing. OEM orders are welcome.

### **Q: 6. Are you a trading company or a factory?**

We are one of the largest manufacturers of RFID cards / NFC tags / RFID keybods / RFID bracelet, RFID reader and access control products in China for over 20 years.

