

## Product Description

**USB to WG26/WG34 wiegand converter for access control system,access control converter WG-USB**





WG communication converter is designed for hand-held testing tool or embedding into products manufactured by third-parties, crypton and ACM had widely use for our RFID and access control system solution.

The converter support double-way transmission, it can transfer Wiegand 26bit or Wiegand 34bit data to USB data, also can transfer USB data to Wiegand 26bit or Wiegand 34bit data, standard Wiegand output 26bit data in default (Wiegand 34bit and other format as optional), and standard USB output format.

#### Technical parameters:

Operating voltage: DC 9V-12V;

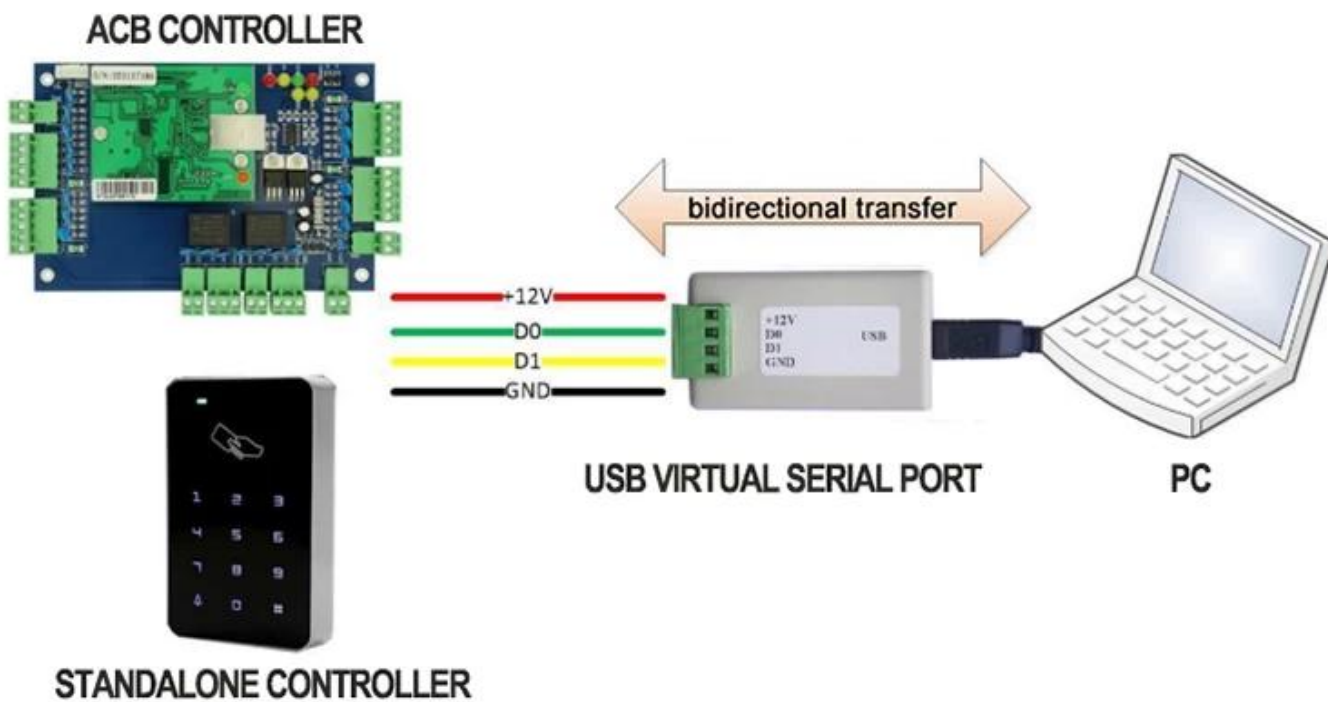
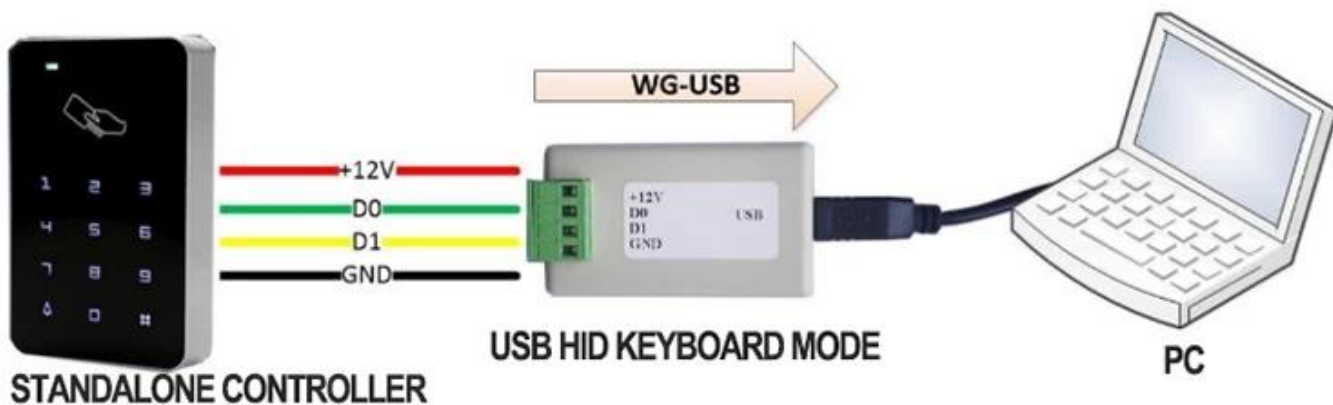
Compatible with USB standards,corresponding to Wiegand all the way out;  
With an external watchdog to prevent the crash.

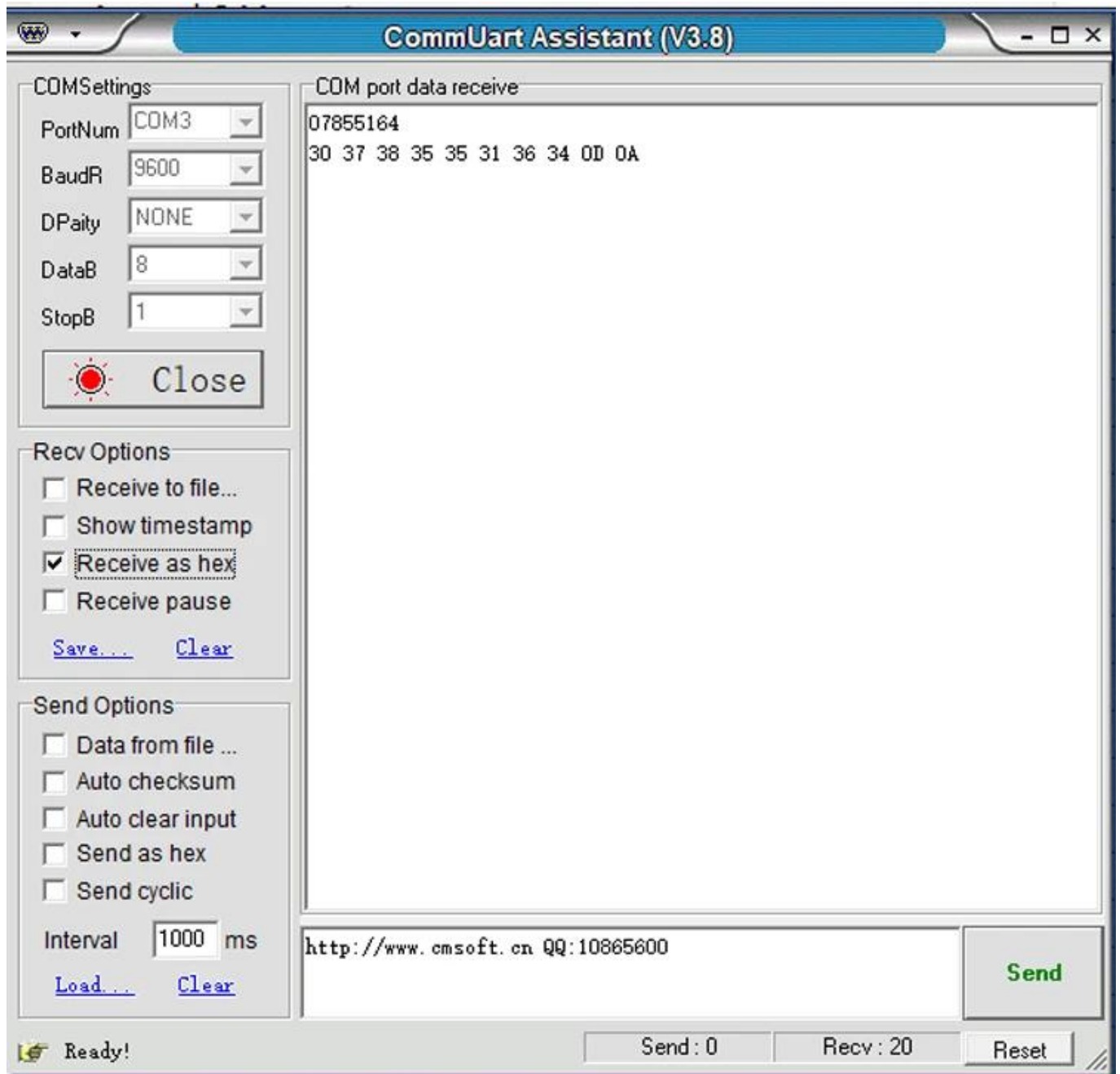
#### Communication Format:

Baud Rate 9600 N 8 1

- 1. WG26 or WG34 input
- 4 byte number: 1010795316 = (hex) 3C3F8334
- WG26 input (hexadecimal) 3F8334
- WG34 input (hexadecimal) 3C3F8334

## Wiring Diagram





## Our Service

- 1, Any inquires will be replied within 24 hours
- 2, Professional manufacturer and supplier, Welcome to visit our website and our factory
- 3, OEM/ODM Available
- 4, High quality, fashin desing, reasonable & competitive price, fast lead time
- 5, After-sale Service :
  - 1), All products will have been strictly quality checked in house before packing
  - 2), All products will be well packed before shipping
  - 3), All our products have 2-3 year warranty if the damage is not caused by human
- 6, Faster delivery : Around 1~ 5 days for sample order, 7~30 days for bulk order
- 7, Payment : You can pay for the order via : T/T, Western Union, Paypal, Ali trade assurance
- 8, Shipping: We have strong cooperation with DHL, FEDEX, TNT, UPS, EMS, Forwarder by SEA and By AIR, You also can choose your own shipping forwarder.

## Quality Warranty

- Warranty Service will be honored if the damage is not caused by human, ACM Goldbridge provides 2 years warranty for relative products.
- On the contrary, ACM Goldbridge will charge extra if repair.
- More information, please browse our service center.

## Our Company

### ACM Shenzhen Goldbridge industrial company

As a one of leading manufacturer and exporter of RFID and access control and electric door locks products in China , We have been in this field for 20 years already . We have rich production and exportation experience on RFID access control locks products . Our strength products are : RFID card , RFID keyfob , RFID wristband , RFID tag and various RFID reader, UHF long range reader, electric door locks, . We are also the access control solution provider .



## Contact us

Please send us inquiry and order now to have your FREE SAMPLE in 3 days!!!

We are professional and make sure can offer best solution of comprehensive security rfid card access control products supplier with 20 years experience,

So, Contact us and send your inquiry details in the below now!

We are looking forward to forming successful business relationships with new clients around the world in the future !



**SHENZHEN GOLDBRIDGE  
INDUSTRIAL CO., LTD**

Address:

Building 405,Shangbu Industrial Area,Futian  
District,Shenzhen China, 518031

Tel: +0086-755-83767678 Fax:

+0086-755-88391348

Contact Person: Lily Jiang

Mob/whatsapp/wechat:

+0086-13554918707

Skype: lily-jiang1206

E-mail: sales(at)goldbridgesz.com

Website: <http://www.goldbridgesz.com>

Send your message to this supplier