

## Product Description







## Specifications:

Card type: EM

Working voltage: DC12V±10%

Reading Range:3-6cm

Humidity: 10% to 90% RH

Door Opening Time:0-99s(Adjustable)

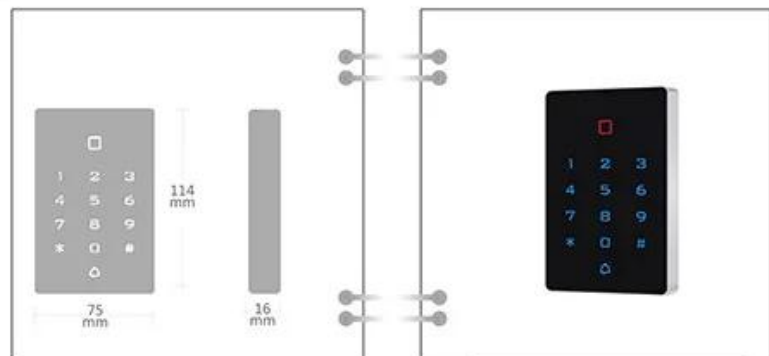
Static electricity: ≤30mA

Ambient temperature: -45 °C ~ 60 °C

Electric lock output: ≤1A

Short-circuit Protect: ≤100μS

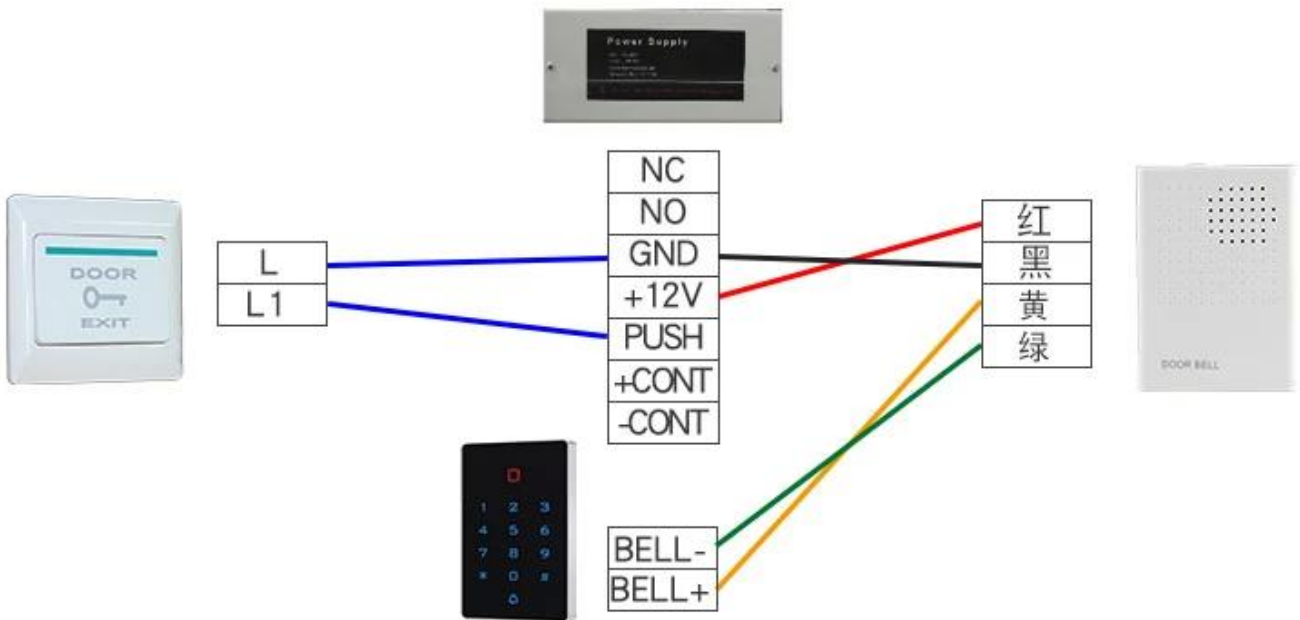
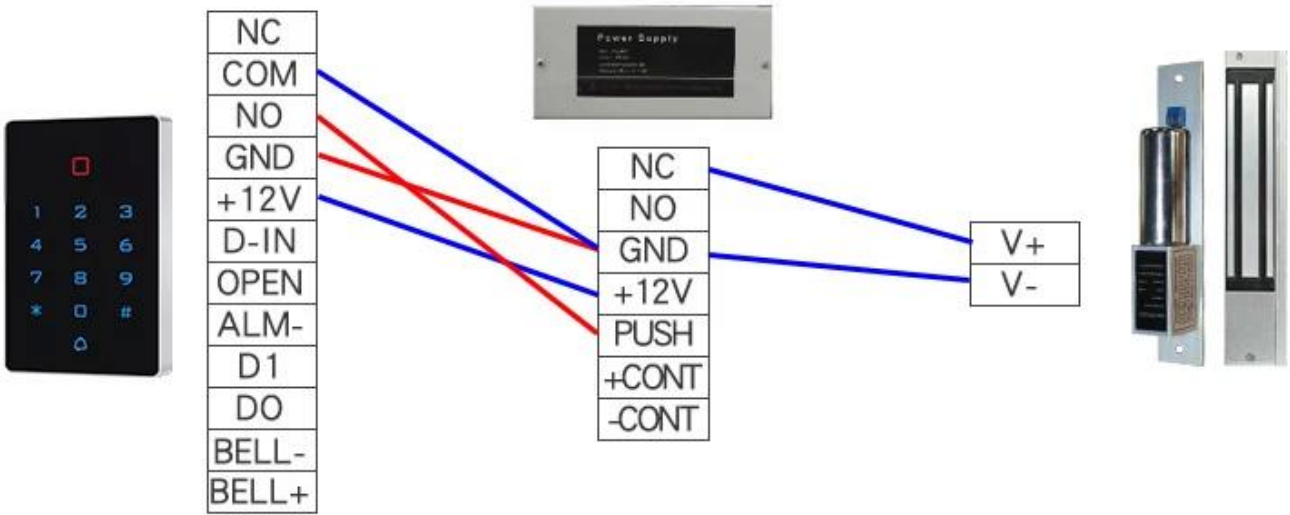
Dimensions: 114\*75\*16mm



## Product Feature

- ◆ Digital backlit touch keypad
- ◆ Multi-function standalone access controller and reader,
- ◆ WG interface: WG26 Input / output
- ◆ Capacity: 2000 cards / codes
- ◆ Three accesses: card, pin, card + pin

•••• PRODUCT DETAILS ••••





## 4 doors system diagram



Product	Touch Pads Reader
Frequency	125KHZ
Size	110*71*15mm
Working voltage	DC 12V
Static current	30MA





## Our service

- 1, all questions will be answered within 24 hours
- 2, professional manufacturer and supplier, welcome to visit our website and factory
- 3, OEM / ODM available
- 4, high quality, fashin desing, reasonable and competitive price, quick delivery time
- 5, after-sales service:
  - 1) All products will be checked strictly at home before packing
  - 2) All the products will be well packed before shipping
  - 3) All our products have a 2-3 year warranty if the damage is not caused by the human being
- 6, faster delivery: About 1 ~ 5 days for sample order, 7 ~ 30 days for bulk order
- 7, payment: You can pay for the order through: T / T, Western Union, Paypal, Ali commercial insurance
- 8, shipping: We have a strong collaboration with DHL, FEDEX, TNT, UPS, EMS, forwarder by sea and by air, you can also choose your own forwarder.

## Our company

ACM Shenzhen Industrial Company Goldbridge

As one of the leading exporters of RFID products in China, we have been present in this field for 20 years. We have rich experience in the production and export of RFID products. Our strength products are: RFID card, RFID remote control, RFID bracelet, RFID tag and various RFID readers. We are also suppliers of access control solutions.

