

Wireless 433MHz Electric Door Lock Access Control Kit Security Lock with 125KHz EM card Password Keypad Remote

The ACM307 is a Wireless smart lock kit for home use, it includes Wireless Keypad+ Wireless Lock + 2pcs Remote Transmitters + 5pcs RFID Tags
433MHz Rolling Code of encryption algorithm and the split design guarantee higher-secure.

- > 433MHz Rolling Code technology
- > 500PIN/card users
- > 4~8 digits PIN, 125KHz EM card
- > Communication distance: 50m Max
- > Open/Close by Keypad, transmitter, or touch the lock

Product Dimensions

Product Size



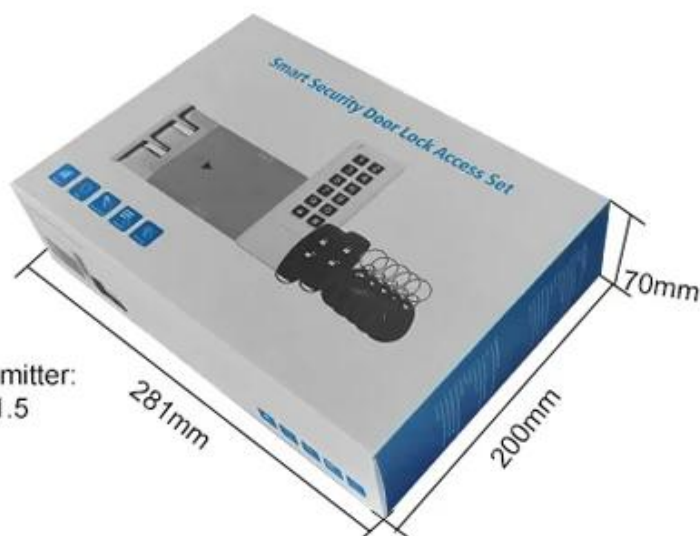
Wireless Keypad:
L135xW54xD19

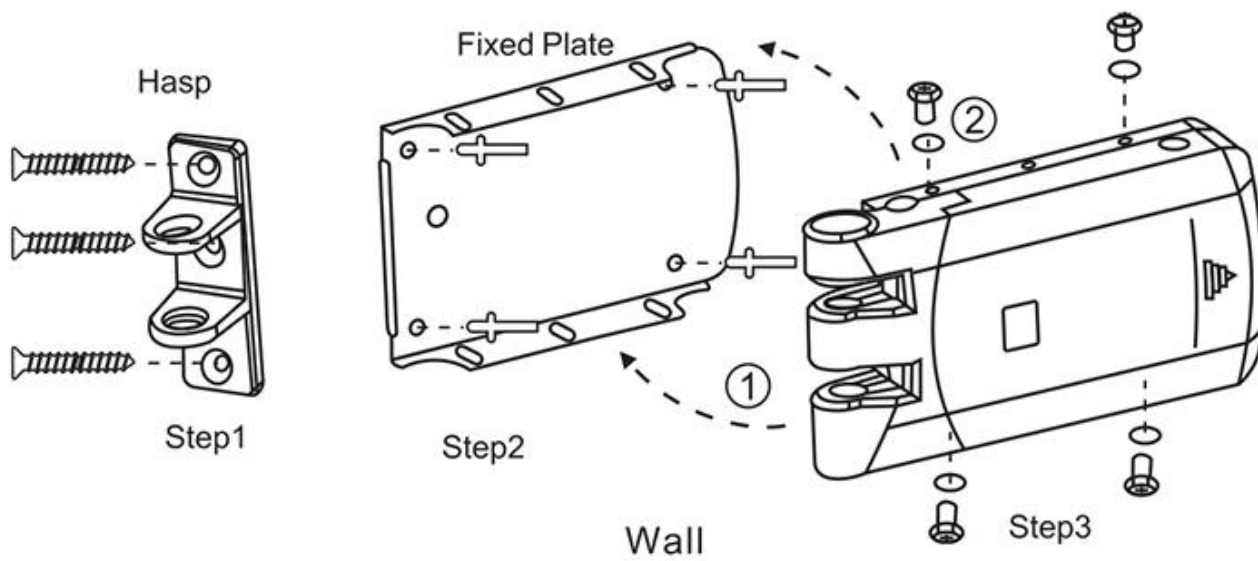
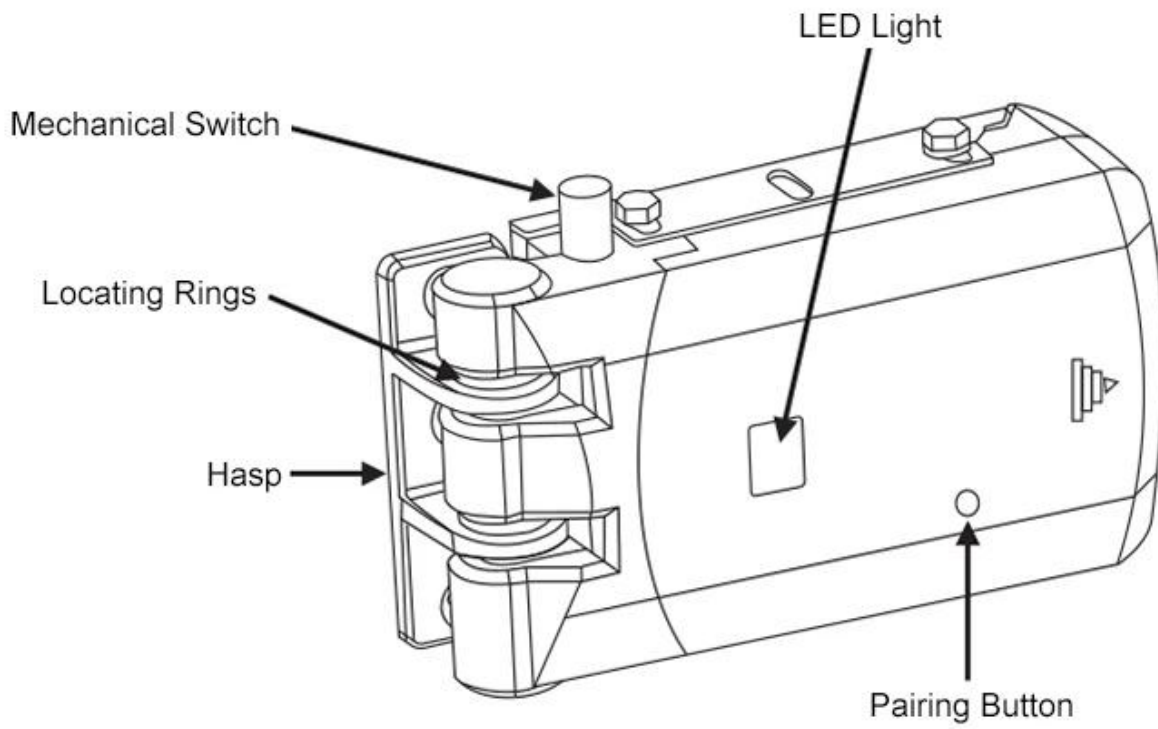


Remote Transmitter:
L62xW27xD11.5



Gift Box Size





INDEX
Copyright
©
2005
K
H
F
E
M
C
a
r
d
O
p
e
r
a
t
i
n
g
V
o
l
t
a
g
e
W
i
n
n
e
t
s
o
f
K
A
A
p
a
t
t
e
r
i
e
s

W
i
n
n
è
t
t
è
s
s
A
A
b
k
t
t
e
r
i
e
s
R
a
m
b
t
è
T
Z
a
Z
È
m
t
h
t
a
m
b
a
t
t
e
r
y
A
H
l
è
C
a
m
s
è
h
u
A
W
o
r
k
i
n
g
C
u
r
r
e
n
t

W
B
m
A
l
e
s
s
K
e
y
p
a
d
W
B
m
A
l
e
s
s
L
o
c
k
R
ø
m
A
t
e
T
r
a
n
s
m
i
t
t
e
r
©
ø
h
M
H
n
i
c
a
t
i
o
n
F
r
e
q
u
e
n
c
y

6
m
M
n
n
n
m
a
m
t
i
o
n
D
i
s
t
a
n
c
e
O
p
e
r
a
t
i
n
g
T
e
m
p
e
r
a
t
u
r
e
W

r
€
L
+
S
S
K
é
y

a
H
~
+
1
4
°
F
)

W
2
r
e
t
e
s
c
o
e
k
.
F
~
+
1
4
.
F
)
Ø
P
8
6
%
R
H
n
g
H
u
m
i
d
i
t
y
P
h
y
s
i
c
a
l
W
i
n
e
l
A
b
b
h
y
c
k

W
B
S
e
l
e
s
s
K
e
y
p
a
d
R
B
h
o
t
e
T
r
a
n
s
m
i
t
t
e
r
D
i
m
e
n
s
i
o
n
s
W
i
B
B
k
W
5
4
K
D
ψ
θ
h
m
)

W
i
b
e
W
e
s
x
D
e
e
k
m
m
)
R
e
h
e
W
e
F
D
a
h
s
m
l
m
m
e
r
U
n
i
t
W
e
i
g
h
t
W
e
r
e
l
e
s
s
K
e
y
p
a
d
W
e
r
e
l
e
s
s
L
o
c
k



You May Like

We are Professional Access Control Manufacturer, We have Full System for Access Control Product as below:



ACM223

Touch Keypad RFID & Keypad Access Control , 125Khz EM 1000/4000 USer capacity

ACM209-NW

Keypad Metal RFID Single door
AccessControl (Non-waterproof),
125Khz EM

ACM208

Waterproof RFID Single door Access
Control and Reader



ACM210

Metal RFID Single door Access Control

(Non-waterproof)

ACM225

Touch Keypad RFID Access
Control,125Khz EM, Can connect
wiegand reader

ACM211B

Touch Keypad Metal case Waterproof
RFID Access Control, Can connect
wiegand reader

Our Service

- 1, Any inquires will be replied within 24 hours
- 2, Professional manufacturer and supplier, Welcome to visit our website and our factory
- 3, OEM/ODM Available
- 4, High quality, fashin desing, reasonable & competitive price, fast lead time
- 5, After-sale Service :
 - 1), All products will have been strictly quality checked in house before packing
 - 2), All products will be well packed before shipping
 - 3), All our products have 2-3 year warranty if the damage is not caused by human
- 6, Faster delivery : Around 1~ 5 days for sample order, 7~30 days for bulk order
- 7, Payment : You can pay for the order via : T/T, Western Union, Paypal, Ali trade assurance
- 8, Shipping: We have strong cooperation with DHL, FEDEX, TNT, UPS, EMS, Forwarder by SEA and By AIR, You also can choose your own shipping forwarder.

FAQ

Q: 1. How can I place an order?

A: Please list your requirement to us via mail. Then we will send the offer to you at earliest time,after order confirmation, we will arrange production ASAP.

Q: 2.What about the payment and shipment?

A: Trade Assurance and T/T ,Paypal, Western Union.
Clients can choose by sea, air or express(DHL, FedEx, TNT UPS etc.)

Q: 3. How can i get a sample to check your quality?

A:We could provide free sample to you, and the freight cost payed by you.

Q:4. How long can I expect to get the samples?

A: It depends on the quantity. Normally 3-7 days for 5000pcs and 7-15 days for 100,000pcs

Q:5. Can your products be customized?

A: Almost all of your products are customized ,including the materia, size, thickness and printing. OEM orders are highly welcome.

Q:6.Are you a trading company or factory?

We are the one of the biggest manufacturer of RFID cards/NFC tags/RFID keybod /RFID wristband□rfid reader and access control products in China more than 20 years.