

## Product Description



### **Fingerprint Touch-Screen Standalone Keypad controller with 10,000 users and DC 12-24V Wiegand 26 Output**

- > Card type: EM
- > Mental backlight keypad
- > Contains card reader mode. The transmission format could be adjusted by user.
- > Supports different access ways: Entry by Card + Code or Entry by multi cards
- > Support master added card and deleted card
- > User capacity: 10,000 users

ACM-209J Waterproof standalone fingerprint access control

1.completely independent access control, can directly implement user passwords, Fingerprint,card management and other functions

2.keyboard input, support card, password, fingerprint open the door

3.supports two modes of operation, normal mode and safe modeACM-209J Waterproof standalone fingerprint access control 4.supports three user levels 1. Ordinary users 2. Security User 3. Advanced users

5.reader sensor with high sensitivity, less than 0.1 seconds 6.supports a password to open the door, stand-alone card capacity up to 1000

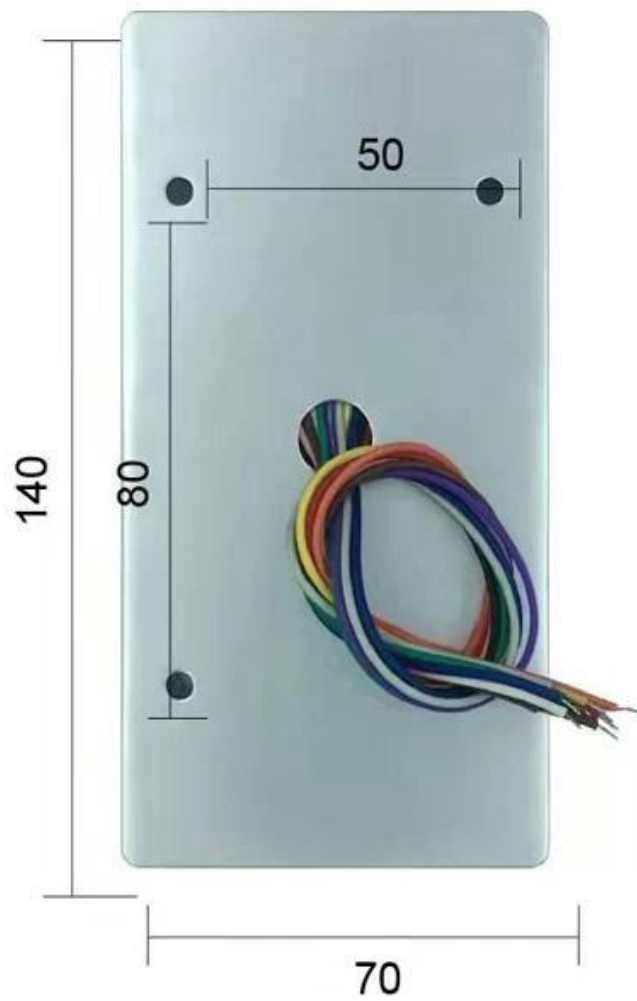
7.high-quality nickel alloy metal material, having a tamper alarm and door sensor alarm functions

8.exit button and doorbell input function

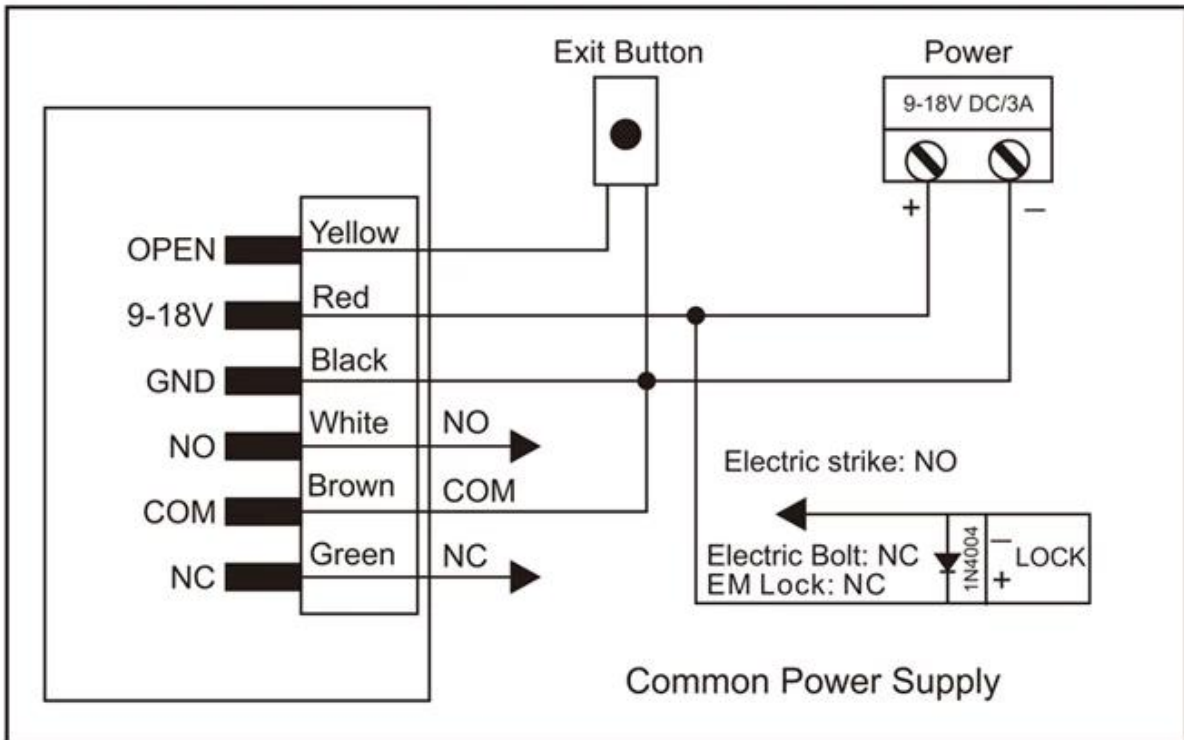
## Product Show

ACM-209J Waterproof standalone fingerprint access control

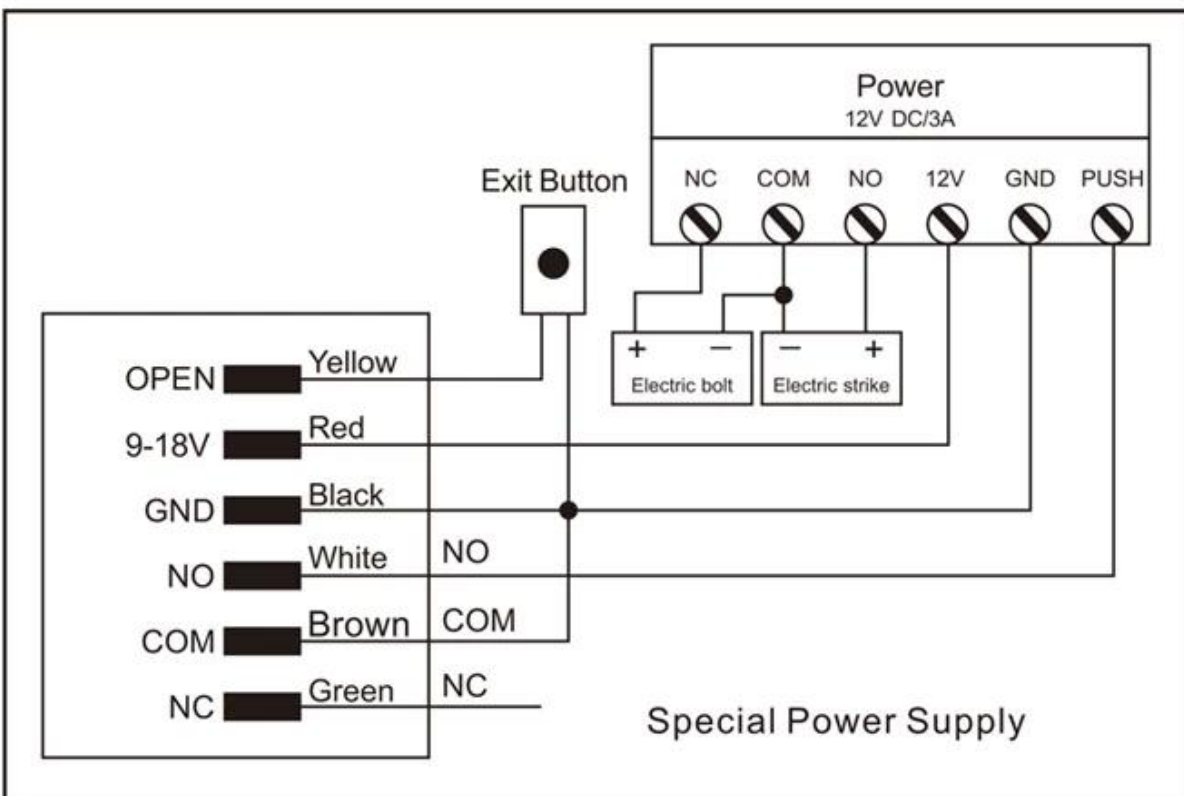




## Common Power Supply



## Special Power Supply



# Packing & Deliver

## Shipping Way

We have strong cooperation with DHL, FEDEX, TNT, UPS, EMS, Forwarder by SEA and By AIR  
You also can choose your own shipping forwarder.

Packaging

Keypad access control packaging: Normal packing

## You might like

We are manufacturers of professional access control, we have a complete product access control system as follows:





### **ACM223**

RFID touch keyboard and keyboard access control, capacity EM 125/4000 US 125Khz

### **ACM209-NW**

Keyboard Access control to a metal RFID (not waterproof) door, 125Khz EM

### **ACM208**

RFID reader with single waterproof door and access control





### **ACM210**

Access control with single RFID metal door (not waterproof)

### **ACM225**

RFID touch control access control, 125Khz EM, can connect the wiegand reader

### **ACM211B**

Touch keypad Metal case Waterproof RFID access control, Can connect the wiegand reader

## Our service

- 1, all questions will be answered within 24 hours
- 2, professional manufacturer and supplier, welcome to visit our website and our factory
- 3, OEM / ODM available
- 4, high quality, fashin desing, reasonable and competitive price, quick delivery time
- 5, after-sales service:
  - 1), all the products will have been strictly checked at home before packing
  - 2), all products will be well packed before shipment

3), All our products have a 2-3 year warranty if the damage is not caused by human being  
6, faster delivery : About 1 ~ 5 days for sample order, 7 ~ 30 days for bulk order  
7, payment: You can pay for the order via: T / T, Western Union, Paypal, Ali commercial insurance  
8, shipping: We have a strong partnership with DHL, FEDEX, TNT, UPS, EMS, freight forwarder by sea and by air, you can also choose your freight forwarder.

## FAQ

### **Q: 1. How can I place an order?**

A: List your needs by e-mail. Then we will send you the offer as soon as possible, after order confirmation, we will organize the production as soon as possible.

### **Q: 2. What about payment and shipping?**

A: Commercial warranty and T / T, Paypal, Western Union.  
Customers can choose by sea, air or express (DHL, FedEx, TNT UPS etc.)

### **Q: 3. How can I get a sample to check the quality?**

A: We could supply you free sample and the freight cost paid by you.

### **Q: 4. How long can I wait to get the samples?**

A: it depends on the quantity. Normally 3-7 days for 5000 pieces and 7-15 days for 100,000 pieces

### **Q: 5. Can your products be customized?**

A: Almost all your products are customized, including material, size, thickness and printing. OEM orders are welcome.

### **Q: 6. Are you a trading company or factory?**

We are one of the leading manufacturers of RFID cards / NFC tags / RFID keybod / RFID reader RFID reader and access control products in China for over 20 years.



# 20+ YEARS EXPERIENCE OEM & ODM

ACCESS CONTROL SYSTEMS ONE STOP SOLUTION PROVIDER

Goldbridge is Top 10 China Manufacture On Alibaba, Specializes In Provide Kinds Of RFID/NFC Cards, FID Tags, RFID Card Reader, UHF Reader, Access Control System, Electromagnetic Locks, etc Since 1999



Customized Services



Quality Assurance



Fast Delivery



Best After-Sales Service

## OUR FACTORY



- **Access Control and RFID Reader Production Line:**
- Monthly production quantity is up to 50,000pcs , We are Provides OEM&ODM services including product research and development, LOGO printing, customized.etc



- **Electromagnetic lock & Smart Door Lock Production Line :**
- Monthly production quantity is up to 100,000pcs ,
- Our factory is built with modern manufacture environment, facilities, equipment and professional operation technicians.
- Goldbridge Provides OEM&ODM services including product research and development, LOGO printing and product box customized.



- **RFID & NFC Cards & Tags Production Line :**
- RFID Tag, Wristband, Keyfob: 11,000,000pcs (monthly output)
- Four Production Lines For Smart Card, PVC Card, Prelam Sheet: 20,000,000pcs (monthly output)
- Goldbridge Provides OEM&ODM services for LOGO printing, development, customized.

## ADVANTAGE



### WHY CHOOSE US?

- 1 **FAST DELIVERY** Faster delivery by air by express. (DHL,UPS or Fedex)
- 2 **LONG HISTORY** 20 years experience in RFID & Access Control industry
- 3 **OEM ACCEPTABLE** 20 years OEM&ODM experience for 1000 + VIP client from US and Europe
- 4 **HIGH QUALITY** Design and manufacture high quality produtcs with 30 R&D; engineers.

## APPLICATION

Bus, supermarket,school, government, hospital, factory



## CERTIFICATE



