

What is Electromagnetic Lock?

Electromagnetic locks consist of an armature and a coil assembly, which become magnetized when an electric current passes through them. This magnetic field secures the door and electronically controls when doors are locked and unlocked.

Electromagnetic locks are fail-safe by design.

Item Parameter

Lock size □79Lx40Wx23H(mm)

Armature plate□75Lx31Wx10H(mm)

Holding force□60kg(100Lbs)

Voltage□DC 12V

Current draw□2V/160mA

Suitable for File Cabinet, Display Cabinet

Operating temp□≤20°C

Surface temp□-10°C ~ 55°C (14°F~131°F)

Suitable humidity□0~90% (non-condensing)

Finishes for shell Anodized aluminum surface texture processing

Finishes for magnetic Zinc

Finishes for armature Zinc

Weight□0.6kg

Standard packing□60pcs

Mini single door electromagnetic lock 60Kg/100Lbs

Mini single door electricmagnetic lock is for showcase,cabinet door,inward door,frameless glass door and narrow doorframe.Special anti-residual magnetism designed makes the access control automation safer and electric lock more durable.

Features

Input Voltage: DC 12V~ DC24V

OperatingTemperature: -40~+50°C

Operating Humidity: 0-95%(non-condensing)

Holding Force: 60Kg/100Lbs

Dimension of Lock Body: 80x37x23mm

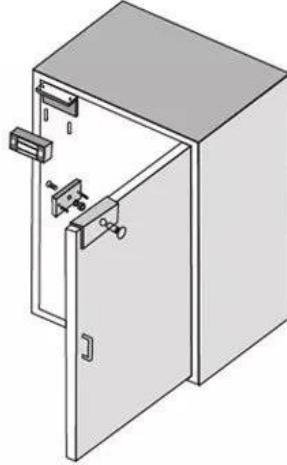
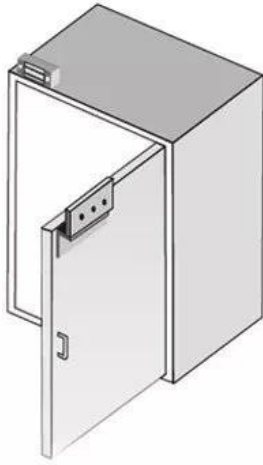
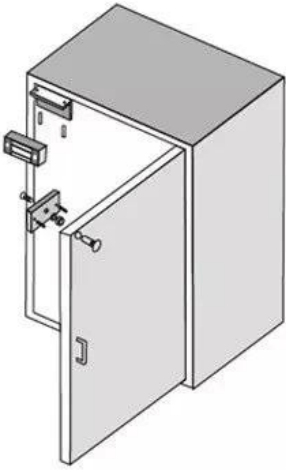
Dimension of Plate:75x33x12mm

MOV Provides reverse current protection

Anti-Residual magnetism designed

High strength material,anodized aluminum housing

Power ON lock, power off unlock



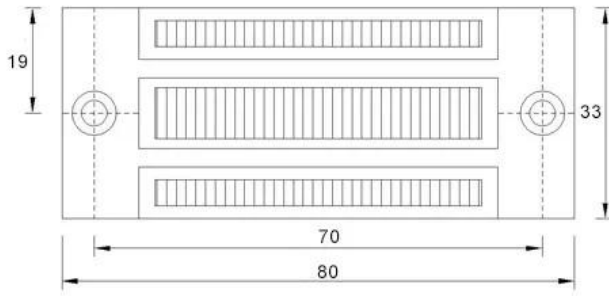




Magnetic Lock Instructions

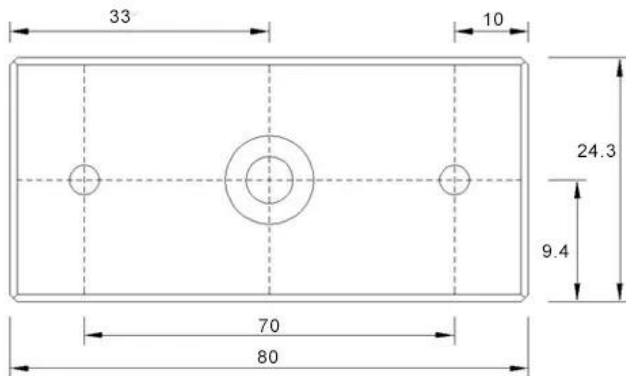
EL-100 60KG

Magnetic Lock Dimensions



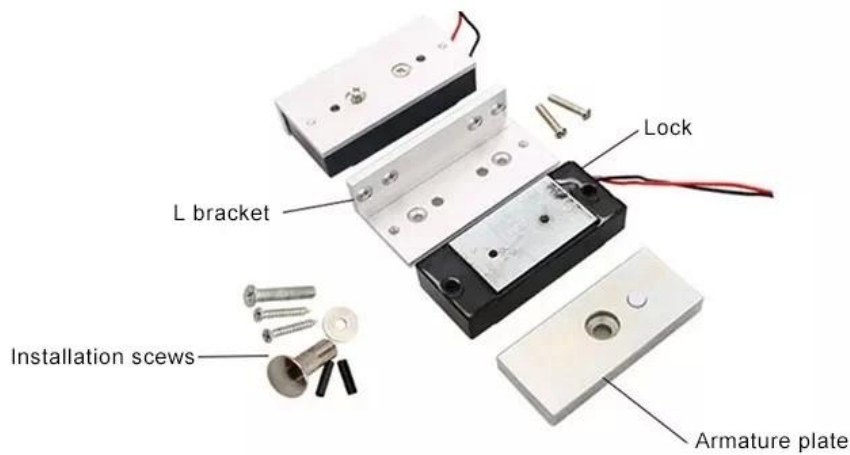
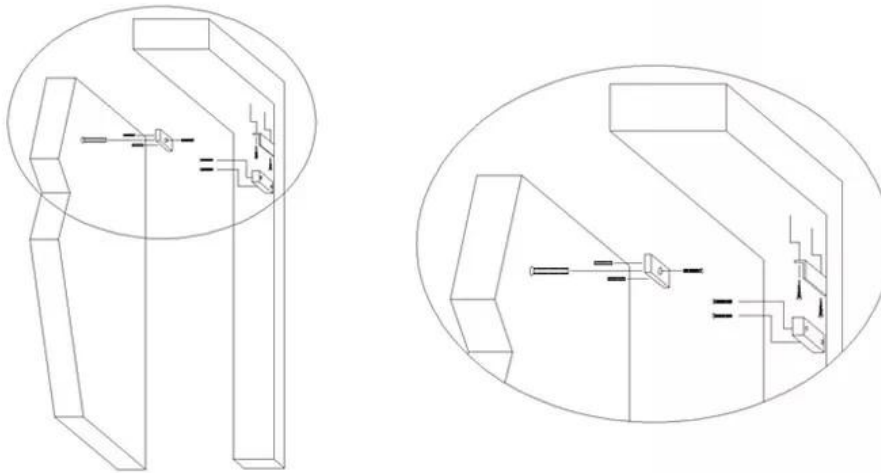
Operating Voltage:	DC12V
Operating Current:	100mA

Adsorption board size chart



Voltage DC12V
+ Orange
- White

Magnetic Lock



PRODUCT CATEGORY

RFID / NFC SMART CARD

Be customized according to you need

Fit for systems of transport, E-payment, Access Control, Event, Loyalty, ect.



[View More](#)

ACCESS CONTROL SYSTEM

Security for All: Network Access Control Board ,Standalone Access Controller, Biometric Access Control, T&A time attendance, Facial Access Control



[View More](#)

RFID & LONG RANGE UHF READER

20+ Years of professional Experience in production of rfid uhf hardware

- UHF desktop reader writer,
- UHF integrated reader,
- UHF R2000 fixed reader,



[View More](#)

ELECTRONMAGNETIC LOCK

Professional Electric Locks Manufacturer In China

Electromagnetic lock with OEM & ODM since 1999 60KG /110KG /180KG /280KG /350KG /500KG



[View More](#)

FAQ

Q1 How can I place an order?

A1 Click start to order or list your requirement to us by email. Then we will send the offer to you ASAP, after the order confirmed, we will arrange production ASAP.

Q2 What about the payment and shipment?

A3 T/T , Paypal, Western Union etc.
You can choose your agent or via our agent by sea, air or express (DHL,FedEx, TNT UPS etc.)

Q4 How can I get a sample to check your quality?

A4 We could provide the sample to you, pls check the sample cost and freight cost with us.

Q5 How long can I expect to get the goods?

A5 It depends on the quantity and shipping way. You can check with us before ordered.

Q6 Can your products be customized?

A6 Almost all of our products are customized , including the material, size, thickness and printing. OEM orders are highly welcome.