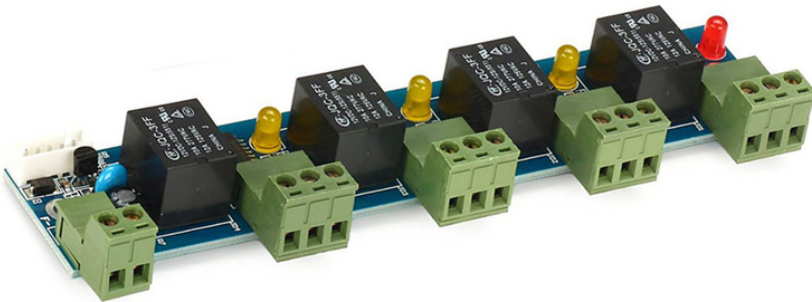


## Product Description



### **Enhanced Alarm Module Output I/O Fire Break Control Expansion Panel Board**

This enhanced Alarm Output and Integrated Fire Control Expansion Panel only can compat with the ACM series controller.

4-way alarm output, you can specify which function to which door of the controled area Can connect the fire control output, when fire signal received, doors in the controlled area will be open automatically, and fire alarm will be recorded.

Can control: invalid break in alarm, long time unlocking alarm, intimidation break in alarm, unlocking linkage ouput, invalid card swiping alarm, integrated fire control alarm  
Allow to change anti-intimidation password  
Can set long time unlocking alarm time:

0-6000 seconds

Can set the time delay of each output from

0 to 6000 seconds

.....

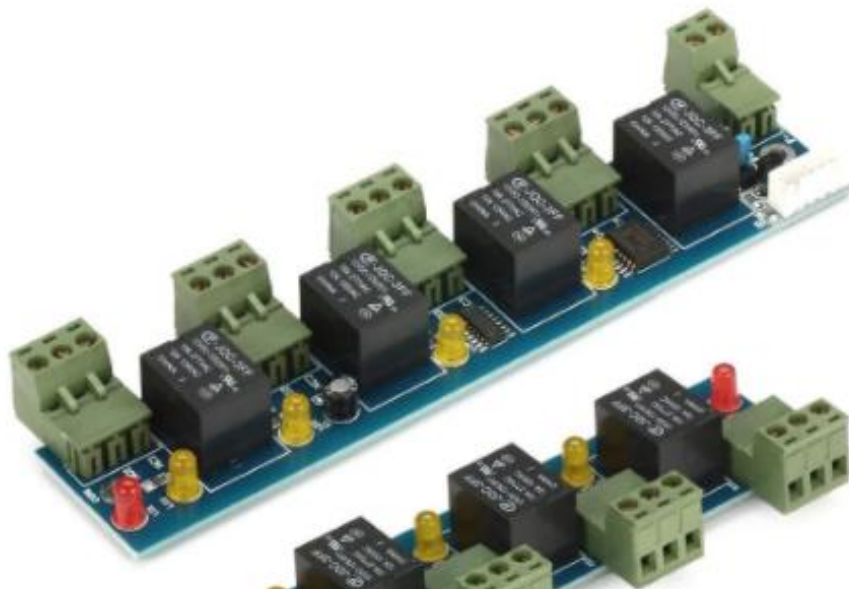




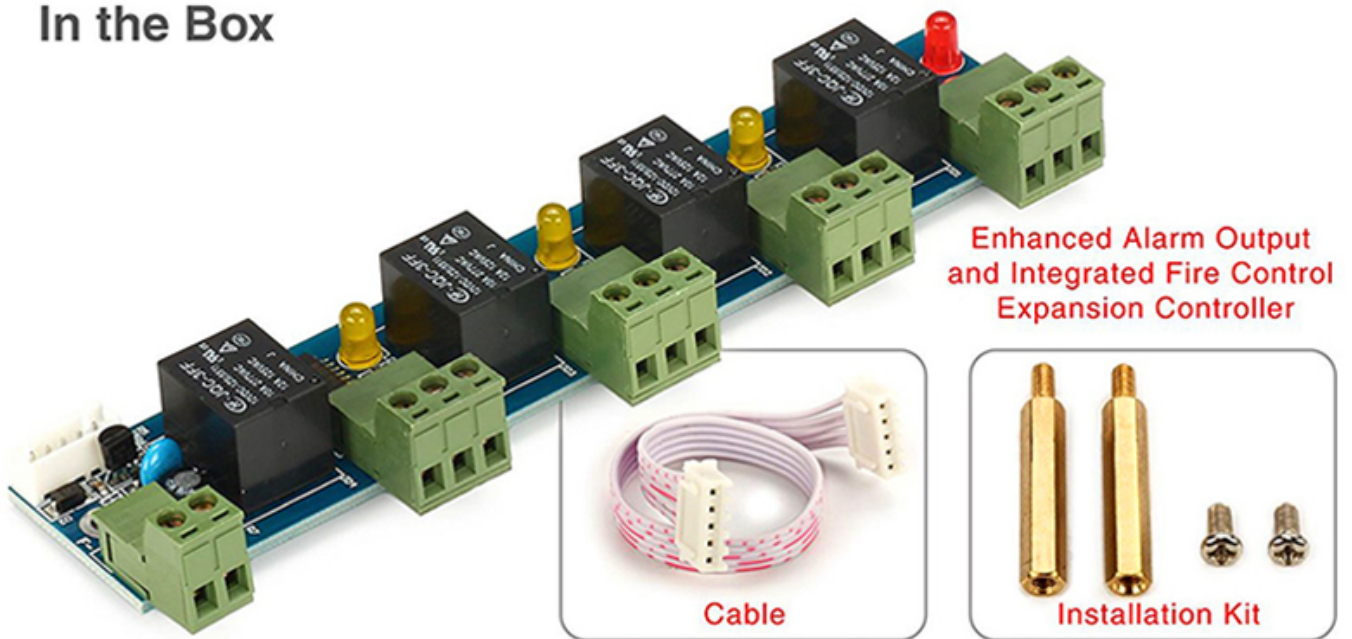


.....

## Detailed Images



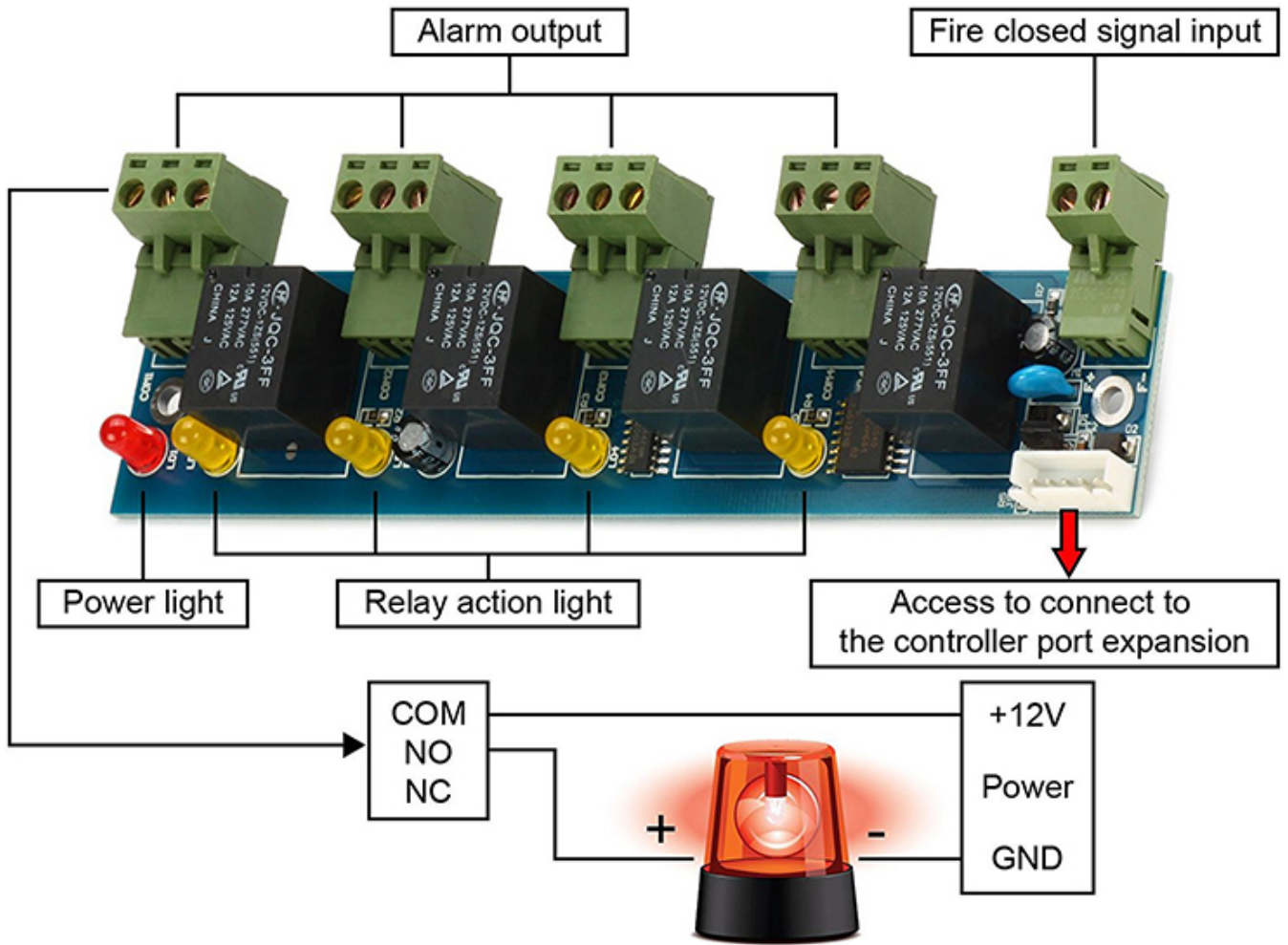
## In the Box



Enhanced Alarm Output  
and Integrated Fire Control  
Expansion Controller

Cable

Installation Kit



## Packing & Delivery

Every order we will check the quality firstly to ensure our customer get the best product. Our staff will pack it carefully to avoid the damage of transportation. We will ship every goods out as soon as possible.

**ups** **DHL** **aramex**  
 WORLDWIDE EXPRESS® delivery unlimited

**EXW**  
**FCA FOB**  
**CIF CFR**



## Shipping Way (Just for new customers reference )

We are one of the leading exporter of RFID products in China since 2000 years . With rich international trade experience we know the international shipping very well , We know which express or air/sea line is cheap and safe to your country . We can supply various certificate for you to clean your custom to such as CO , FTA , Form F , Form E ...Ect . We will provide our professional suggestion for your shipping . EXW , FOB , FCT , CIF , CFR ...trade term are ok for us . We can be your reliable partner for products and shipping .

## Our Service

Your satisfactory is our goal.

- 1.Any inquires will be replied within 24 hours
2. Professional manufacturer and supplier, Welcome to visit our website and our factory
- 3.OEM/ODM Available
4. High quality, fashin desing, reasonable & competitive price, fast lead time
- 5.After-sale Service :  
A:All products will have been strictly quality checked in house before packing  
B: All products will be well packed before shipping  
C:All our products have 2-3 year warranty if the damage is not caused by human
6. Faster delivery : Around 1~ 5 days for sample order, 7~30 days for bulk order
7. Payment : You can pay for the order via : T/T, Western Union, Paypal, Ali trade assurance
- 8.Shipping: We have strong cooperation with DHL, FEDEX, TNT, UPS, EMS, Forwarder by SEA and By AIR, You also can choose your own shipping forwarder.Your satisfactory is our goal.

Quality Warranty

- 1.Warranty Service will be honored if the damage is not caused by human, ACM Goldbridge provides 2 years warranty for relative products.
- 2.On the contrary, ACM Goldbridge will charge extra if repair.
3. More information, please browse our service center.

## Related Products

[view more >>](#)Recommended by seller

TCP/IP Wiegand 26  
Network One Door Entry  
Access Controller Board  
LAN Interface Gate Access  
Control Panel

\$35.00 - \$39.00 / Piece

1 Piece

Entry Door Security  
System Wiegand Solution  
Controller Board TCP IP  
RFID Network Two Door  
Access Control Panel

\$42.00 - \$47.00 / Piece

1 Piece

Single Door Wiegand Mini  
Controller Board Access  
Control System Automatic  
Remote Door Controller

\$9.50 - \$14.00 / Piece

2 Pieces

Entry Door Security  
System Wiegand Solution  
Controller Board TCP IP  
RFID Network Four Door  
Access Control Panel

\$55.00 - \$59.00 / Piece

1 Piece

