

Product Description

Wifi Access Controller Wiegand 1D 2D IC /NFC Reader /Bluetooth App QR Code Reader Dynamic QR Code Access Controller

- > Read 125KHz EM / HID Card / 13.56MHz Mifare / CPU Card (Factory default: EM 125KHz)
- > Metal backlight keypad
- > Contains card reader mode. The transmission format could be adjusted by user.
- > Supports different access ways: Entry by Card + Code or Entry by multi cards
- > Support master added card and deleted card
- > User capacity: 10,000 users

P

1

2

3

4

5

6

7

8

9

10

11

12

13

14

15

16

17

18

19

20

Product Advantages

ACM-209K Waterproof Touch Capacitive Fingerkey & Wiegand Reader Built-in light dependent resistor(LDR)

1. completely independent access control, can directly implement user passwords, Fingerprint, card management and other functions

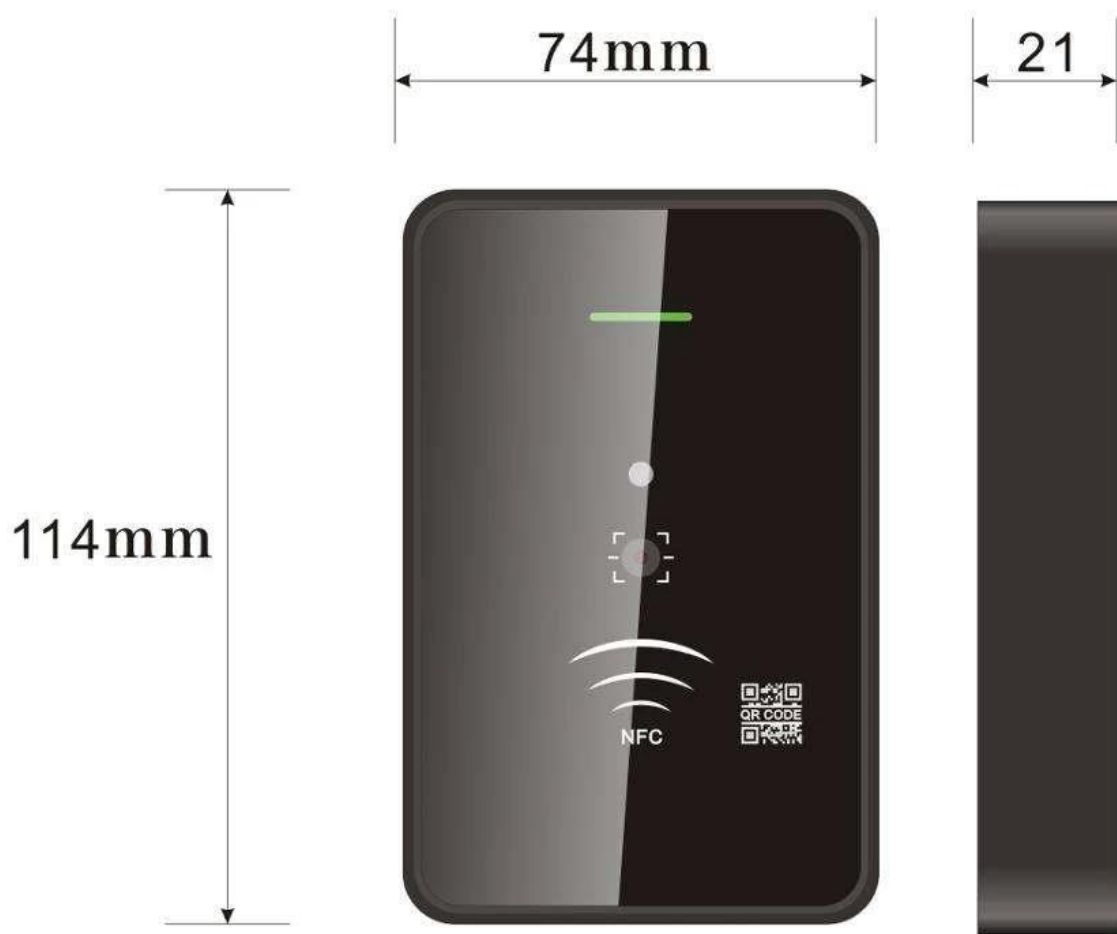
2. keyboard input, support card, password, fingerprint open the door

3.supports two modes of operation, normal mode and safe mode 4.supports three user levels 1. Ordinary users 2. Security User 3. Advanced users
5.reader sensor with high sensitivity, less than 0.1 seconds 6.supports a password to open the door, stand-alone card capacity up to 1000
7.high-quality nickel alloy metal material, having a tamper alarm and door sensor alarm functions
8.exit button and doorbell input function

Product Show

Wifi Access Controller Wiegand 1D 2D IC /NFC Reader /Bluetooth App QR Code Reader Dynamic QR Code Access Controller







THREE METHODS



Fingerprint



Password

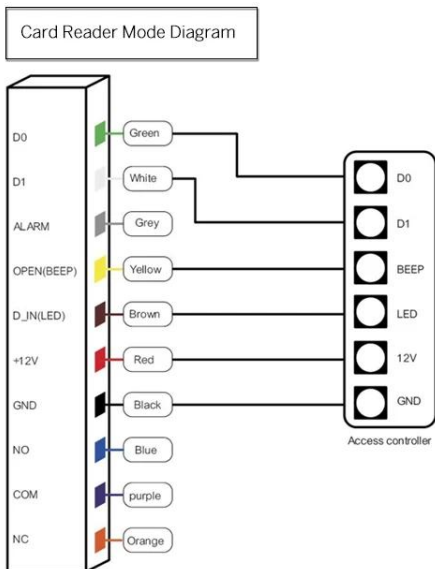
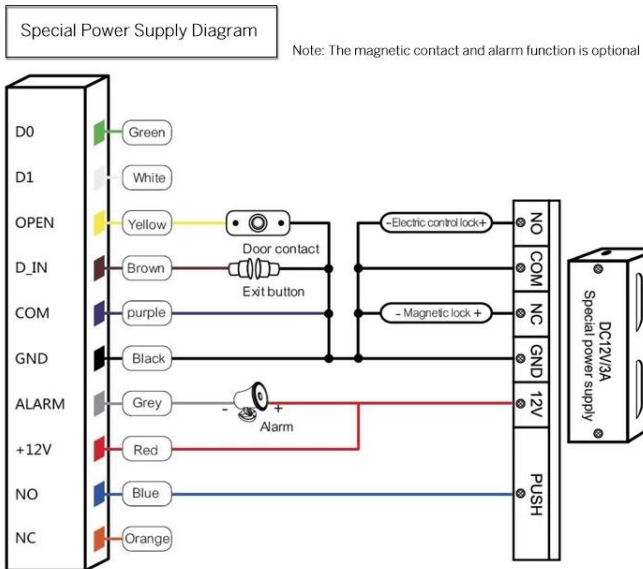
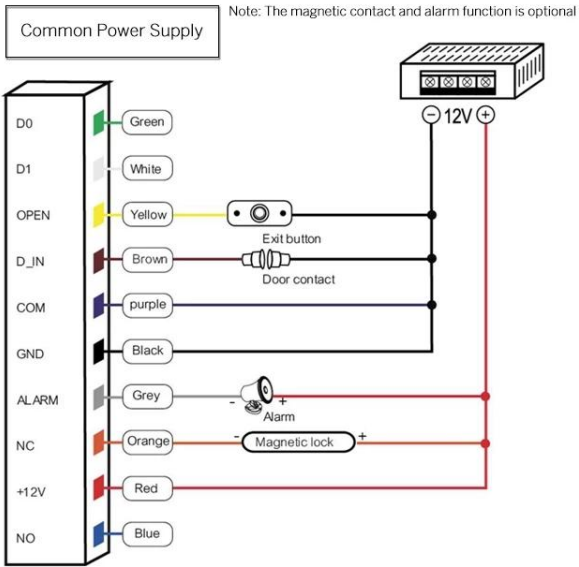


Card

Dimensions(mm)



WIRING DIAGRAM



Packing & Delivery

Shipping Way

We have strong cooperation with DHL, FEDEX, TNT, UPS, EMS, Forwarder by SEA and By AIR
You also can choose your own shipping forwarder.

Packaging

Keypad access control packaging: Normal packing

You might like

We are manufacturers of professional access control, we have a complete product access control system as follows:





ACM223

RFID touch keyboard and keyboard access control, capacity EM 125/4000 US 125Khz

ACM209-NW

Keyboard Access control to a metal RFID (not waterproof) door, 125Khz EM

ACM208

RFID reader with single waterproof door and access control





ACM210

Access control with single RFID metal door (not waterproof)

ACM225

RFID touch control access control, 125Khz EM, can connect the wiegand reader

ACM211B

Touch keypad Metal case Waterproof RFID access control, Can connect the wiegand reader

Our service

- 1, all questions will be answered within 24 hours
- 2, professional manufacturer and supplier, welcome to visit our website and our factory
- 3, OEM / ODM available
- 4, high quality, fashin desing, reasonable and competitive price, quick delivery time
- 5, after-sales service:
 - 1), all the products will have been strictly checked at home before packing
 - 2), all products will be well packed before shipment

3), All our products have a 2-3 year warranty if the damage is not caused by human being
6, faster delivery : About 1 ~ 5 days for sample order, 7 ~ 30 days for bulk order
7, payment: You can pay for the order via: T / T, Western Union, Paypal, Ali commercial insurance
8, shipping: We have a strong partnership with DHL, FEDEX, TNT, UPS, EMS, freight forwarder by sea and by air, you can also choose your freight forwarder.

FAQ

Q: 1. How can I place an order?

A: List your needs by e-mail. Then we will send you the offer as soon as possible, after order confirmation, we will organize the production as soon as possible.

Q: 2. What about payment and shipping?

A: Commercial warranty and T / T, Paypal, Western Union.
Customers can choose by sea, air or express (DHL, FedEx, TNT UPS etc.)

Q: 3. How can I get a sample to check the quality?

A: We could supply you free sample and the freight cost paid by you.

Q: 4. How long can I wait to get the samples?

A: it depends on the quantity. Normally 3-7 days for 5000 pieces and 7-15 days for 100,000 pieces

Q: 5. Can your products be customized?

A: Almost all your products are customized, including material, size, thickness and printing. OEM orders are welcome.

Q: 6. Are you a trading company or factory?

We are one of the leading manufacturers of RFID cards / NFC tags / RFID keybod / RFID reader RFID reader and access control products in China for over 20 years.