



**LED** □□□□□□□□ **12V 5A** □□□□□□□□□□□□

5A □□□□

□□□□□□□□□□□□□□

□□□□□□□□□□□□□□□□□□□□□□□□□□□□□□□□□□

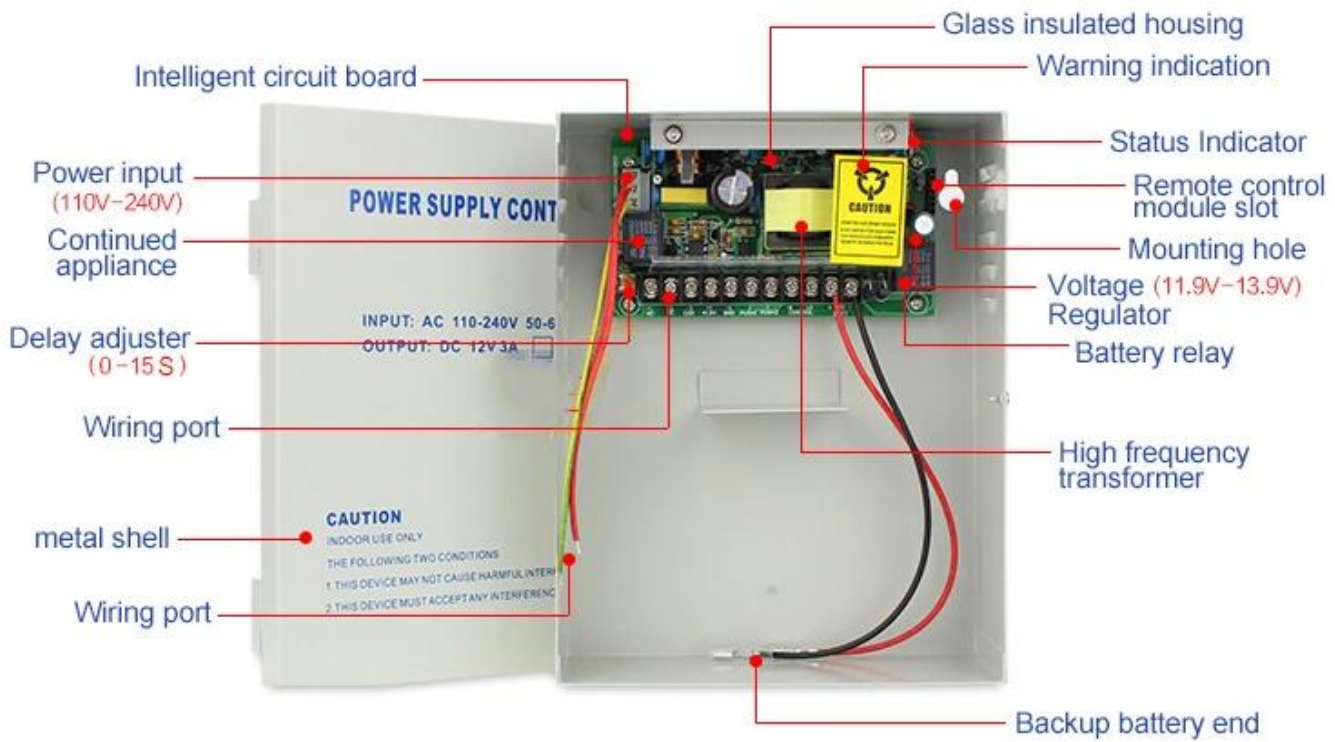
□□□□□□□□□□□□□□□□□□□□

- 
- 
- 
- 
- 
- 
-



D  
C  
E  
V  
;  
□  
□  
/□  
N  
C  
E  
□  
□  
□  
S

□□□□

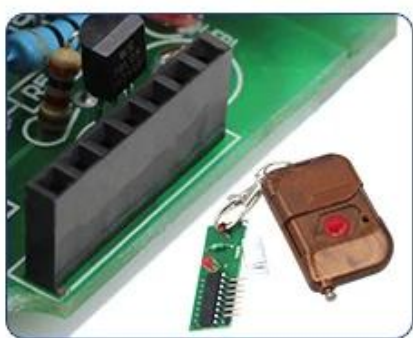


External terminal



External wiring port for easy wiring, easy to use, save installation time

Remote control module slot

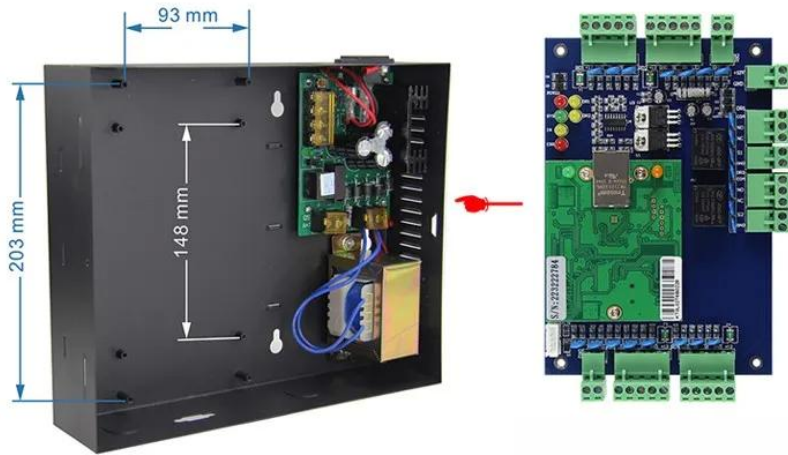
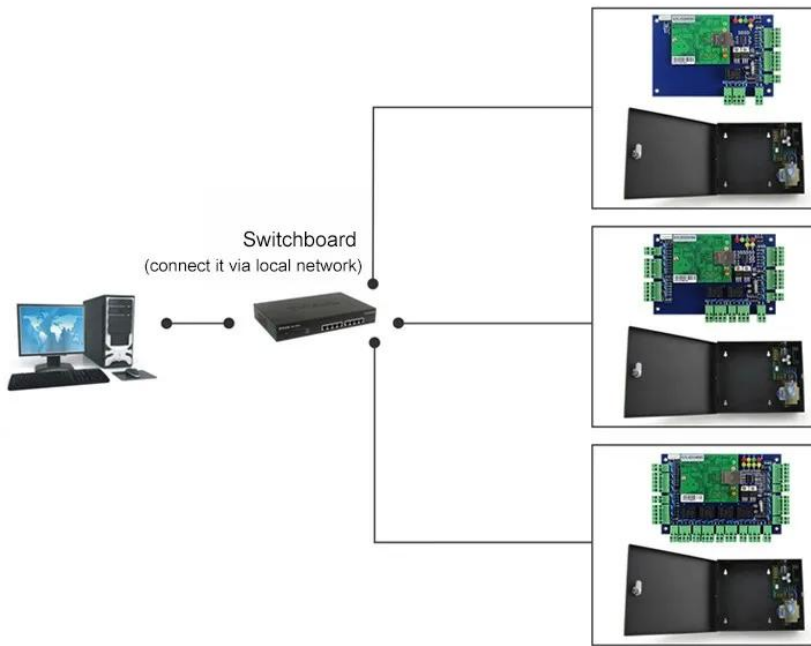


The access control power board slot design can insert the remote control module into the slot and unlock it with one button.

For strong current

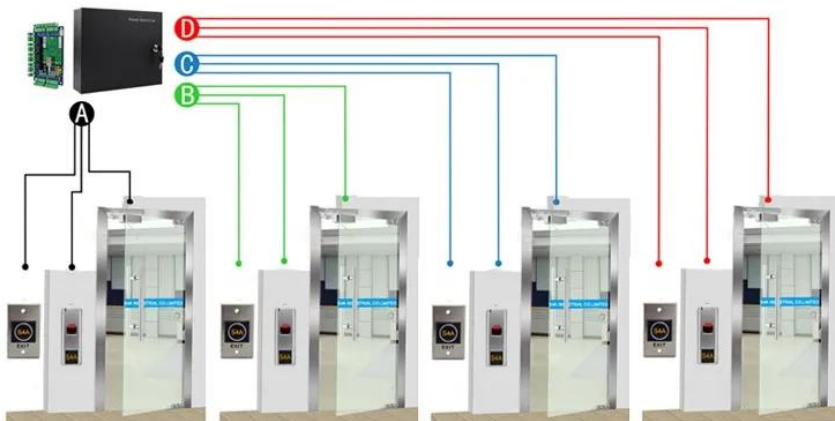


Ordinary access control power supply provides 1.5-1.8A current output, 208K 5A access control power supply provides 5A current output



**Kindly remind:**

All network control board must configure with access power supply.  
1 board for 1 power supply



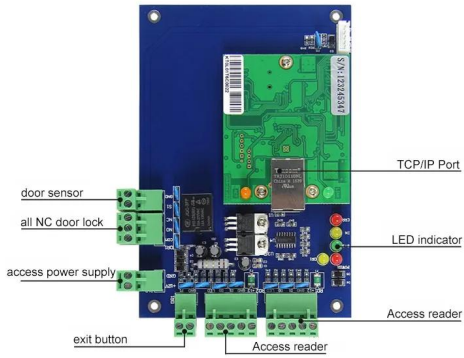
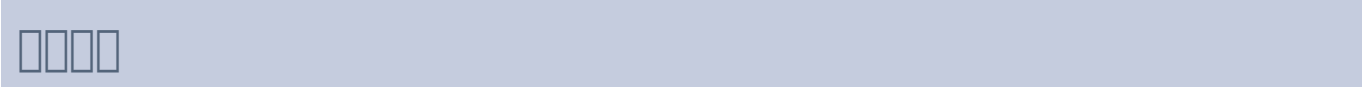
**ACM-WEG04**

Four doors 1 way: Control 4doors (Enter by Swipe cards and Exit by Push button)



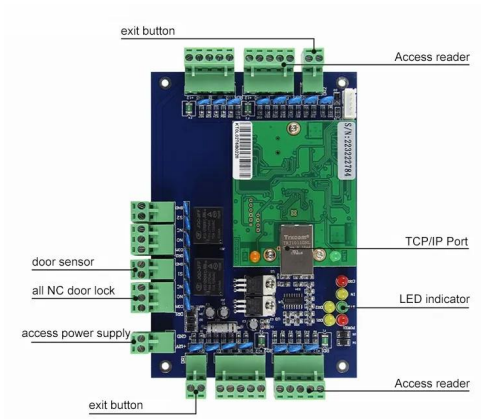
# 3

20



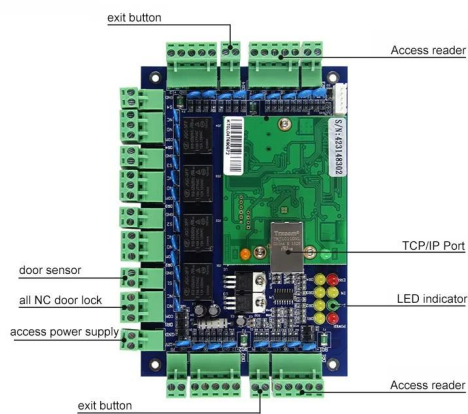
## ACM-WEG01

1



## ACM-WEG02

2



## ACM-WEG04

4

## You May Like



### ACM-K2A / B.

LED



### ACM-Y280

280kg / 600



### ACM-Y806-5A.

5A





**ACM225**

Touch Keypad RFID 12kHz



**ACM-210**

RFID wiegand



**ACM26X**

125KHz EM RFID  
115mm×75.5mm×16.8mm



**ACM Shenzhen Goldbridge**

RFID 20 RFID RFID Keyfob RFID

