

RFID125khz

ACM-209I

nexTouch

K8 6

> 1 1000 990 + 10

> 3 PIN + PIN

> 125KHzEM

> PIN 4 6

>

> IP66

> L105 x W69 x H20 mm

	1000
	990
	10
	9 18V DC
	50mA
	80mA
	12
	EM
	125KHzEM
	2 4cm
	1 NO NC
	0 99 5
	2
	IP66
	-40°C 60°C -40°F 140°F
	10 RH-90 RH
	L105 x W69 x H20 mm
	275g
	375g



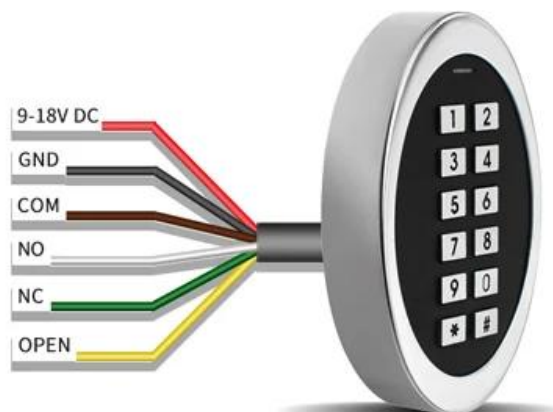
Mini Size: 105 x 69x 20mm

Card Type
125KHZ EM Card
1000 Users
990 Card / PIN Users
10 Visitor Users

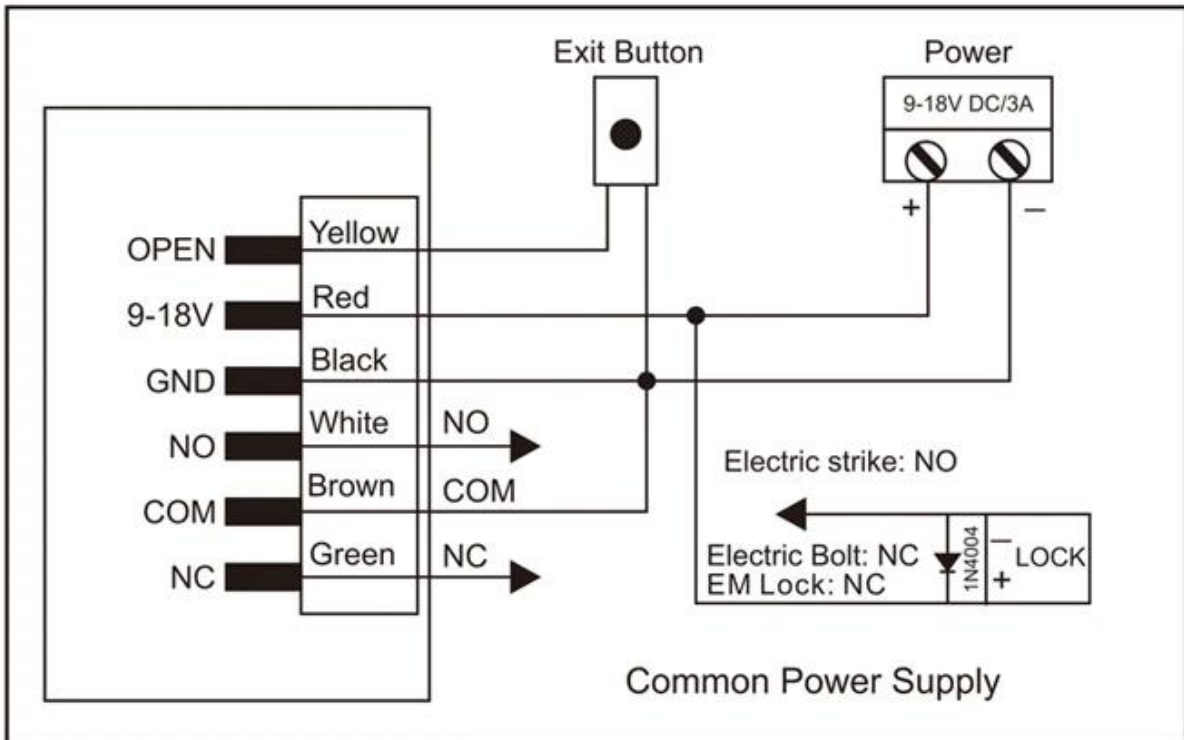


Waterproof, conforms to IP66

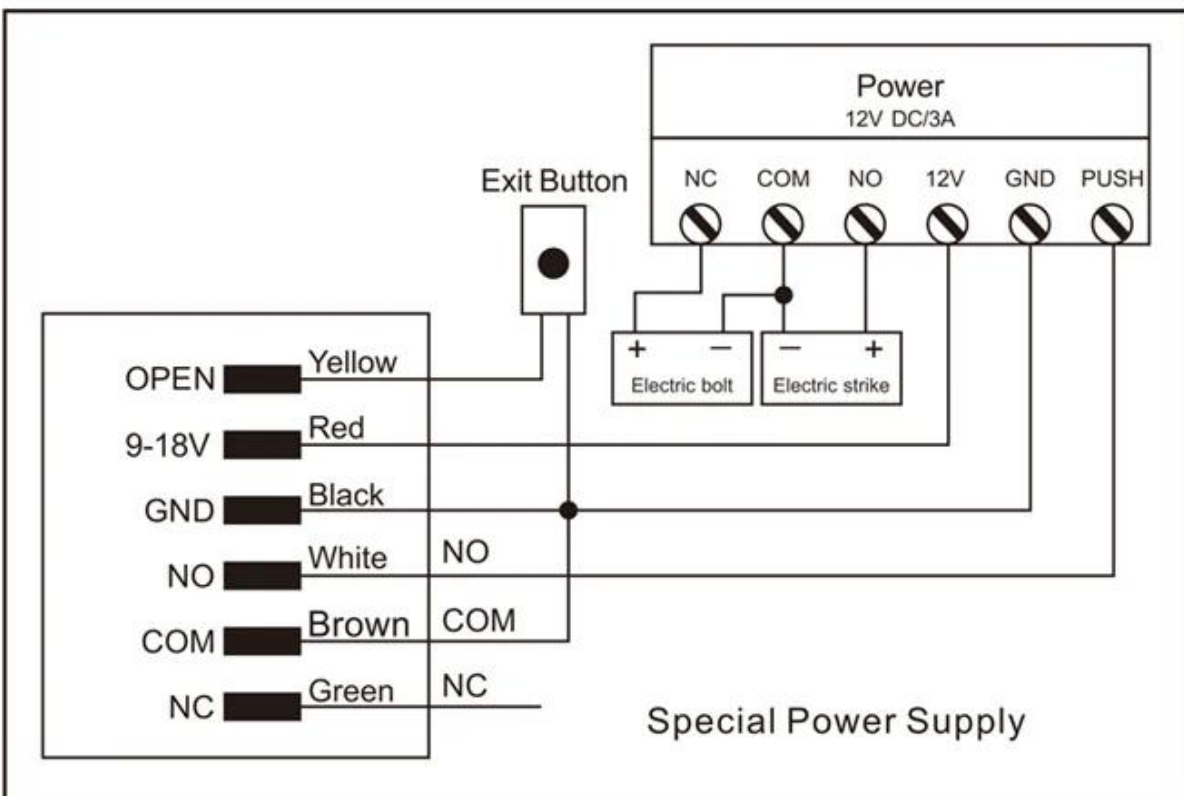
6 wires, easy installing



Common Power Supply



Special Power Supply



□□□□□□

□□□



ACM223

RFID□□□□□□□□□□□□□□□□□□□□EM
125/4000 US 125Khz

ACM209-NW

RFID125KhzEM

ACM208

RFID



ACM210

RFID

ACM225

RFID125KhzEM

ACM211B

RFID

- 1 24
- 2
- 3 OEM / ODM
- 4
- 5
- 1
- 2
- 3 2 3
- 6 1 5 7 30
- 7 T / T
- 8 DHL FEDEX TNT UPS EMS

Q1

A

Q2

A T / T Paypal
DHL FedEx TNT UPS

Q3

A

Q4

A 5000 3 7 100,000 7 15

Q5

A OEM

Q6

RFID / NFC / RFID / RFID RFID 20 1