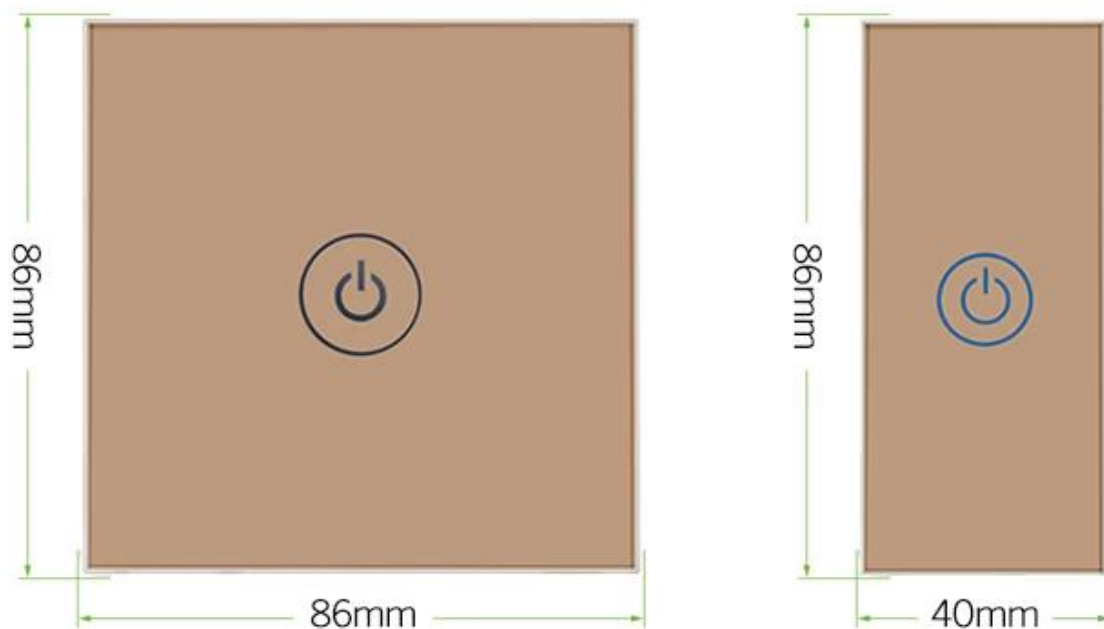




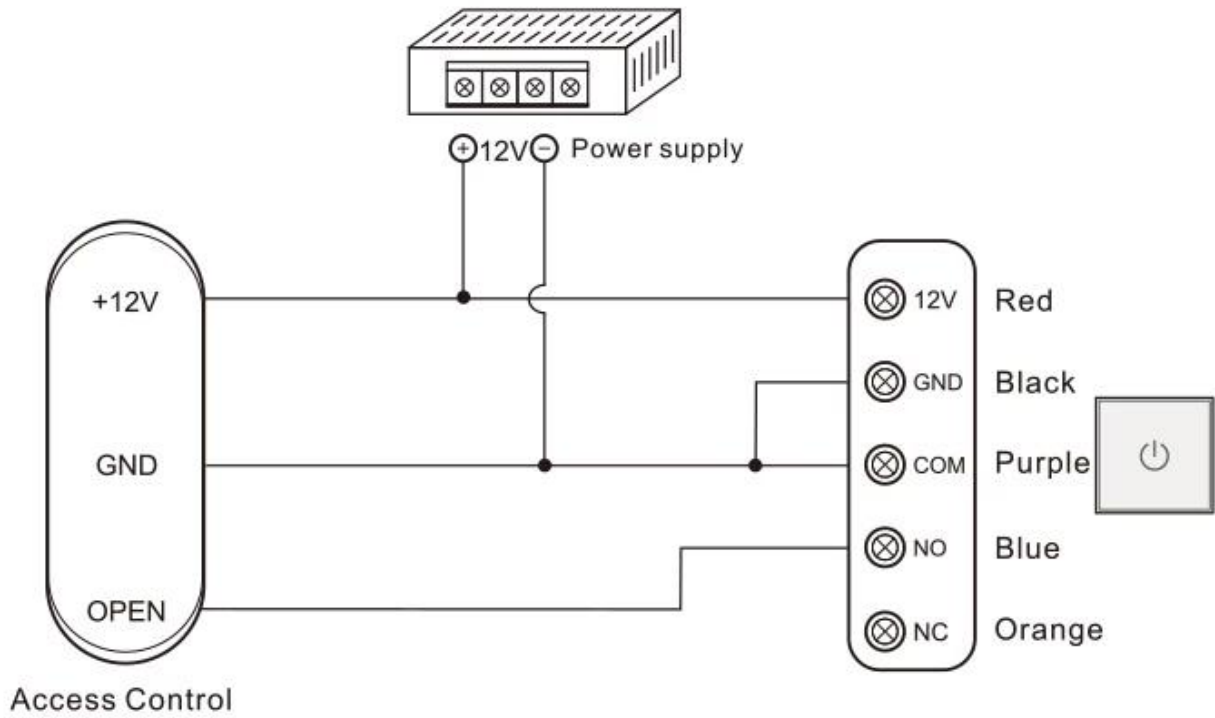
## Description

This product is a capacitive touch sensitive door access switch, with automatic environment temperature and humidity Adaptability, not affected by weather change sensitivity and stability. Output when touching Normally open or normally closed switch signal, indicator light display: green in standby, touch The light is red.

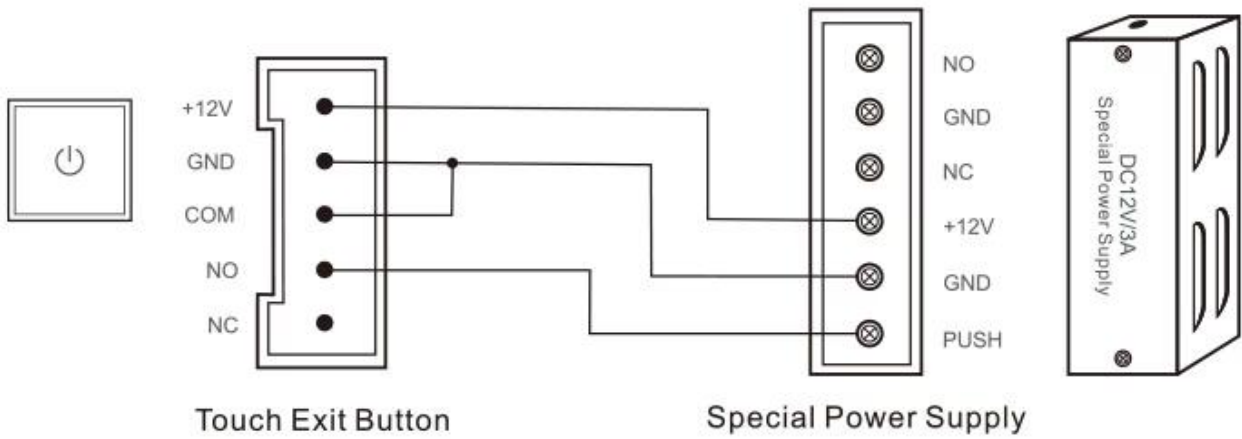
### Dimensions(mm)



Common power supply diagram:



Special power supply diagram:



□□□□□□□□□□□□□□□□□□□□



Realese

K2B 86 \* 86mm

Realese

K9A 115 \* 40mm

NO /

NC K5B 86 \* 86mm





1. 304 stainless steel  
 2. NO K4B  
 3. 86 \* 86mm  
 4. K14B 86 \* 86mm  
 5. K815B 86 \* 86mm

Product Details

1. 24-hour customer service
2. OEM / ODM available
3. 100% quality control
4. 15-day delivery
5. 100% satisfaction guarantee
6. 15-day return policy
7. 30-day warranty
8. Payment methods: T / T, Western Union, Paypal, DHL, FEDEX, TNT, UPS, EMS, SEA, AIR

FAQ

**Q1:** How long does it take to receive the product?  
**A:** It depends on the quantity and the shipping method.

**Q2**

A T / T Paypal Western Union  
DHL FedEx TNT UPS

**Q3**

A

**Q4**

A 5000 3 7 100,000 7 15

**Q5**

A OEM

**Q6**

20 RFID / NFC / RFID / RFID RFID 1