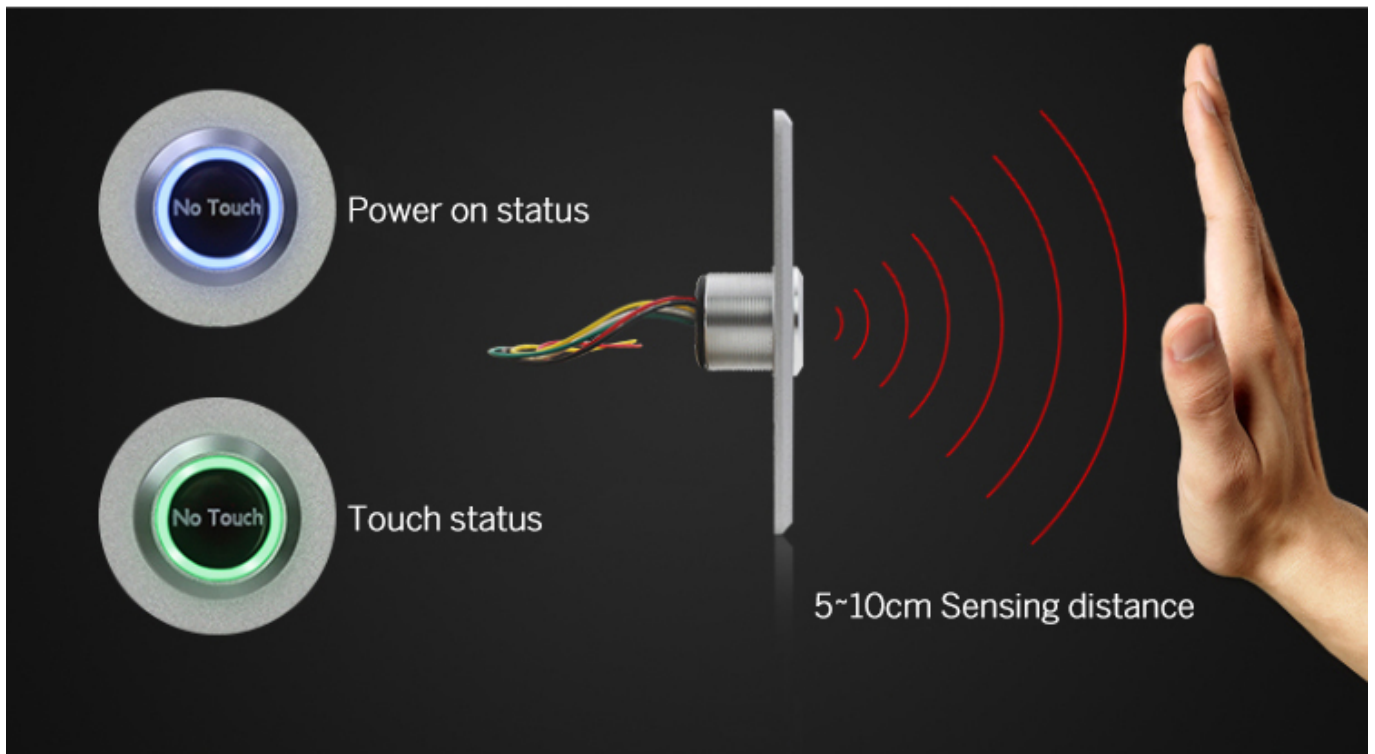
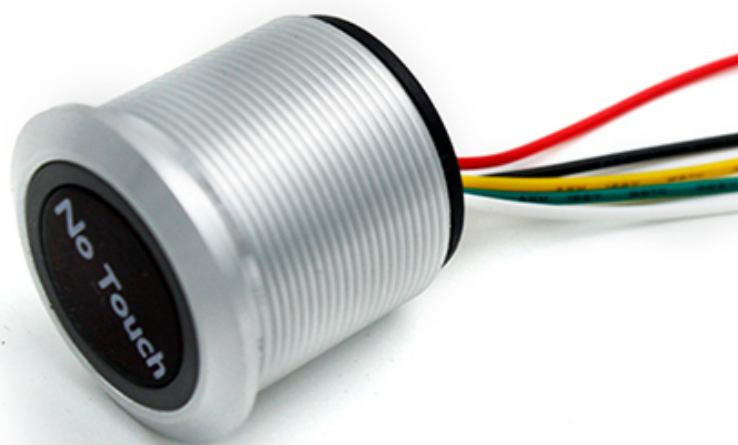
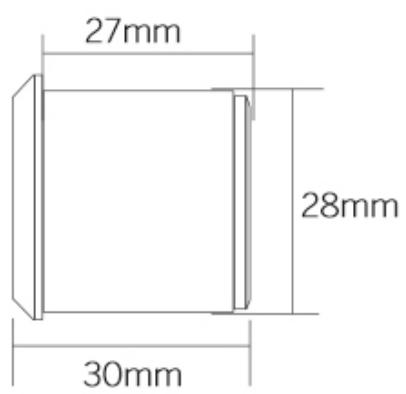
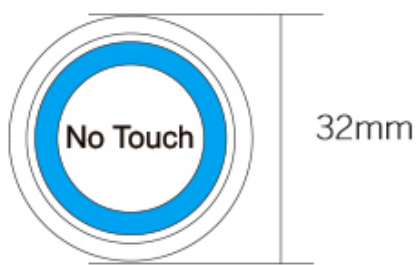


□□□□□□□□□□

□□□□□□ACM-K844

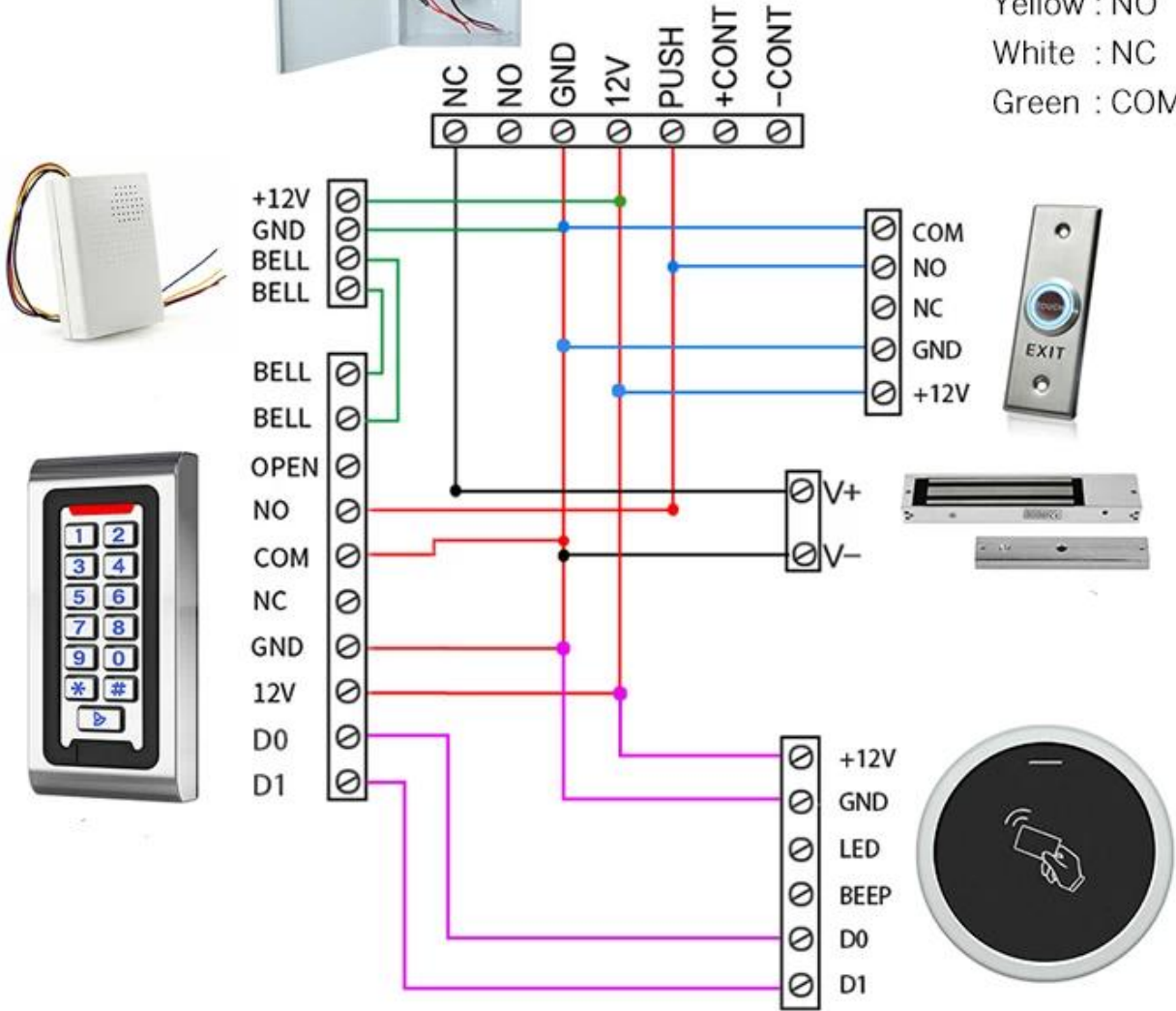
□□	□□
□□	DC12V
□□	10mA
□□□□□□	5-10CM
□□□□□□	□□3A□36VDC
□□	□□□□NC□COM
□□	115 x 70mm
□□	0.14kg







Red : +12V DC
 Black : GND
 Yellow : NO
 White : NC
 Green : COM





□□□□□□Realse□□□□□

K2B 86 * 86mm

Relese

K9A 115 * 40mm

NO /

NC K5B 86 * 86mm





1. 304 stainless steel
 2. NO K4B
 3. 86 * 86mm
 4. Kirsite K14B
 5. 86 * 86mm
 6. PUSH K815B
 7. 86 * 86mm

Product Description

1. 24 hours service
2. OEM / ODM available
3. 100% quality control
4. 1 year warranty
5. 100% customer satisfaction
6. 100% on-time delivery
7. 100% secure payment (Paypal)
8. DHL, FEDEX, TNT, UPS, EMS, SEA, AIR shipping available

Product Details

Q1: What is the material of the button?
A: The button is made of 304 stainless steel.

Q2

A T / T Paypal
DHL FedEx TNT UPS

Q3

A

Q4

A 5000 3 7 100,000 7 15

Q5

A OEM

Q6

RFID NFC RFID RFID RFID 1