







## Specifications:

Card type: EM

Working voltage: DC12V±10%

Reading Range:3-6cm

Humidity: 10% to 90% RH

Door Opening Time:0-99s(Adjustable)

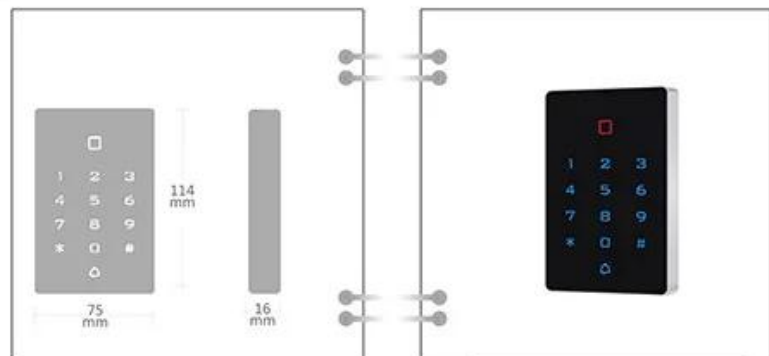
Static electricity: ≤30mA

Ambient temperature: -45 °C ~ 60 °C

Electric lock output: ≤1A

Short-circuit Protect: ≤100μS

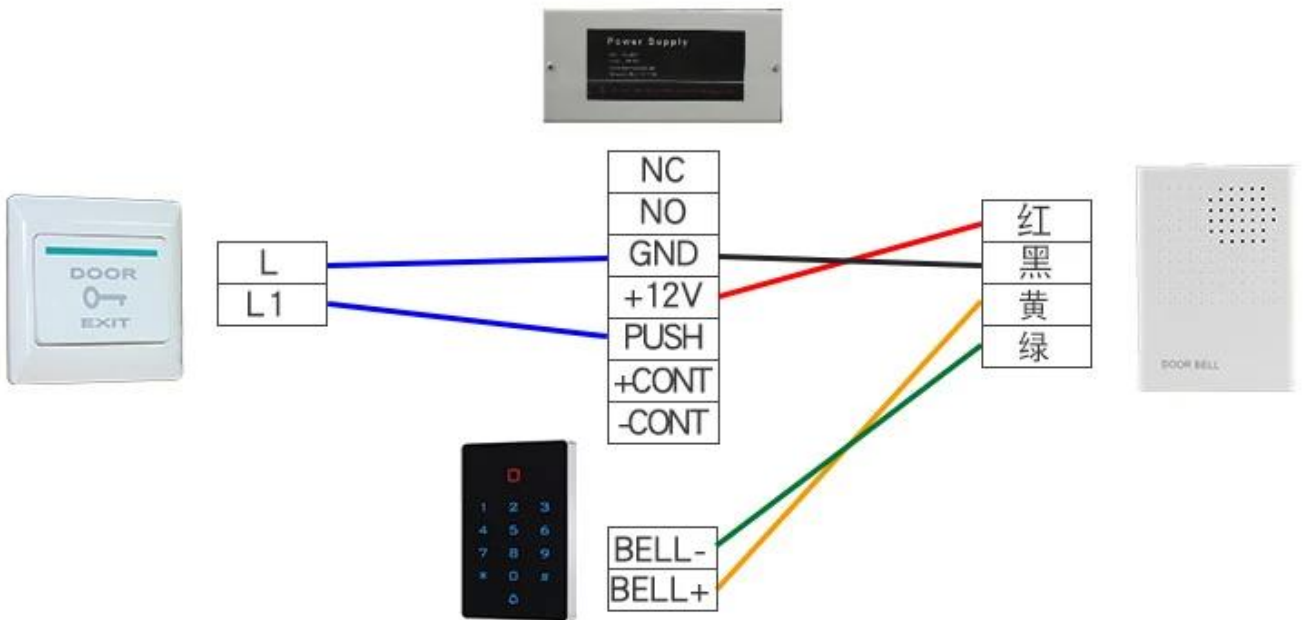
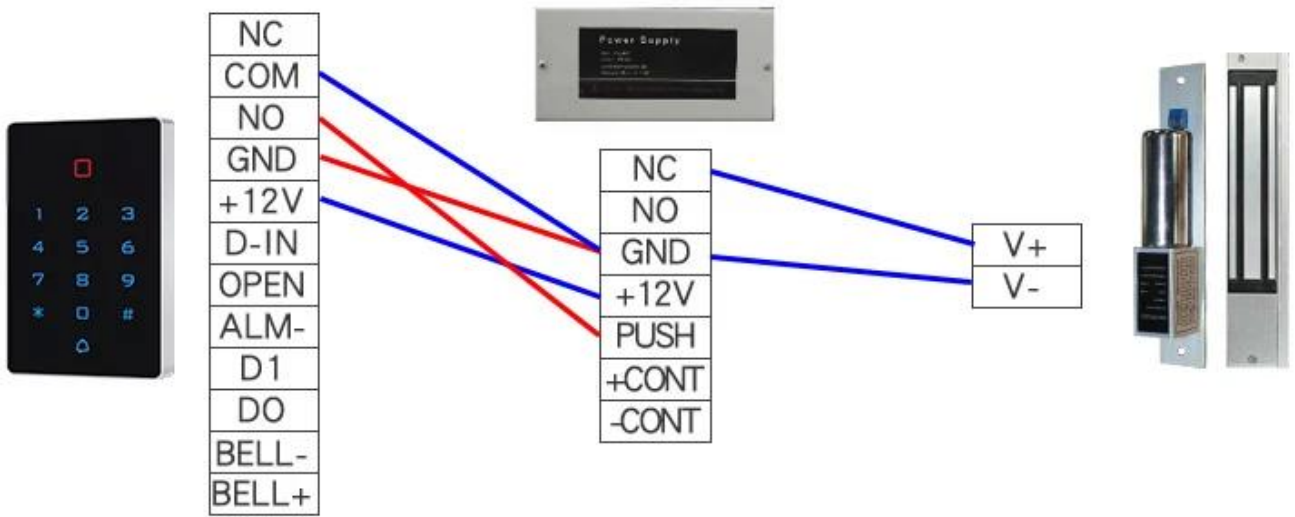
Dimensions: 114\*75\*16mm



## Product Feature

- ◆Digital backlit touch keypad
- ◆Multi-function standalone access controller and reader,
- ◆WG interface: WG26 Input / output
- ◆Capacity: 2000 cards / codes
- ◆Three accesses: card, pin, card + pin

•••• PRODUCT DETAILS ••••





## 4 doors system diagram



□□	□□□□□□□□
□□□	125KHZ
□□□	110 * 71 * 15mm
□□□□	DC 12V
□□□	30MA





□□□□□□

- 1. 24小時服務熱線
- 2. 專業技術團隊
- 3. OEM / ODM
- 4. 專業生產線
- 5. 品質保證
- 1. 專業技術團隊
- 2. 專業生產線
- 3. 24小時服務熱線
- 6. 15天交貨
- 7. T / T
- 8. DHL, FEDEX, TNT, UPS, EMS

□□

ACM Goldbridge

RFID 1 20 RFID RFID RFID RFID

