



**10,000 ユーザー対応 DC 12-24V**  
**Wiegand 26** ユーザー登録可能なユーザー数  
対応するカードタイプ

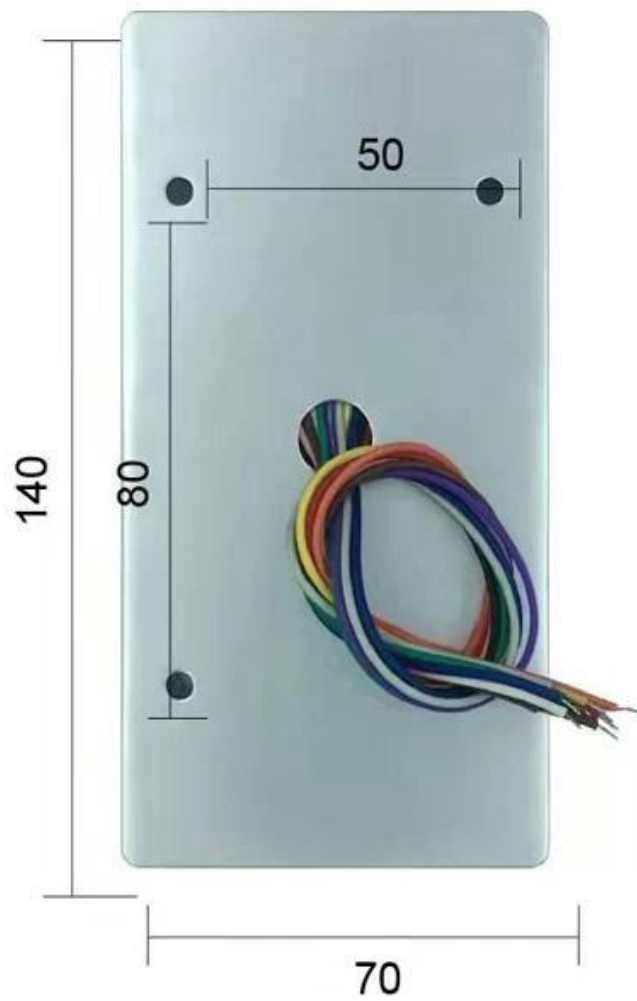
- > Card type: EM
- > Mental backlight keypad
- > Contains card reader mode. The transmission format could be adjusted by user.
- > Supports different access ways: Entry by Card Code or Entry by multi cards
- > Support master added card and deleted card
- > User capacity: 10,000 users

1  
2  
3  
4  
5  
6  
7  
8  
9  
10  
11  
12  
13  
14  
15  
16  
17  
18  
19  
20  
21  
22  
23  
24  
25  
26  
27  
28  
29  
30  
31  
32  
33  
34  
35  
36  
37  
38  
39  
40  
41  
42  
43  
44  
45  
46  
47  
48  
49  
50  
51  
52  
53  
54  
55  
56  
57  
58  
59  
60  
61  
62  
63  
64  
65  
66  
67  
68  
69  
70  
71  
72  
73  
74  
75  
76  
77  
78  
79  
80  
81  
82  
83  
84  
85  
86  
87  
88  
89  
90  
91  
92  
93  
94  
95  
96  
97  
98  
99  
100

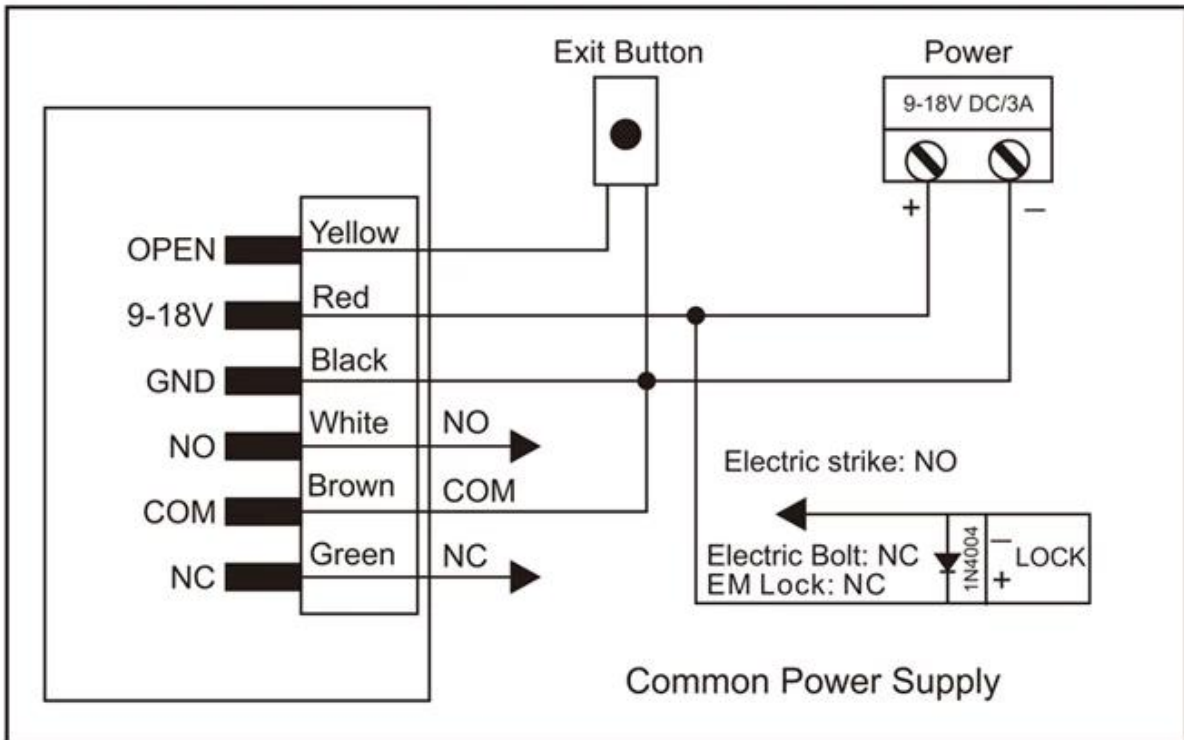


ACM-209J ユーザー登録可能なユーザー数

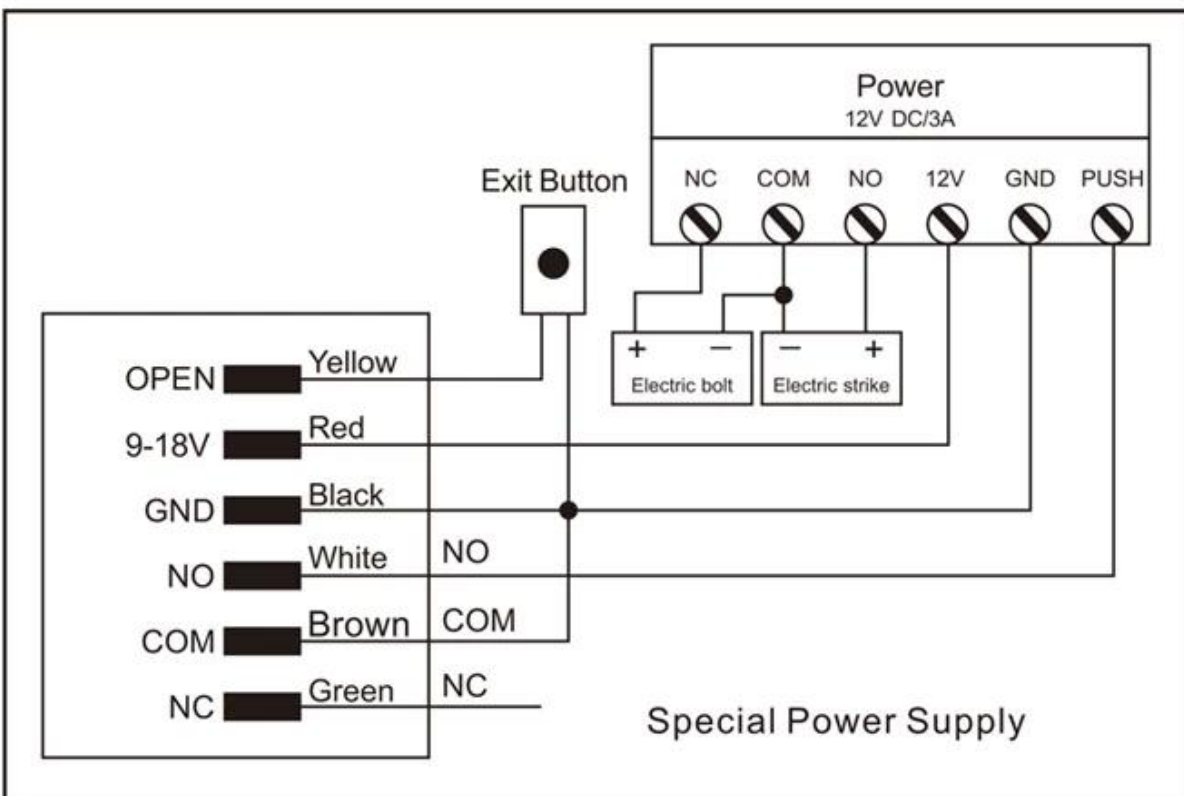




## Common Power Supply



## Special Power Supply







**ACM223**

RFID 125/4000 US 125Khz

**ACM209-NW**

RFID (125Khz) EM

**ACM208**

RFID





**ACM210**

RFID ( )

**ACM225**

RFID 125Khz EM

**ACM211B**

RFID

- 1
- 2
- 3 OEM/ODM
- 4
- 5
- 1
- 2)
- 3)
- 6 : 1~5 7~30
- 7 T / T
- 8 DHL FEDEX TNT UPS EMS

**Q: 1.**

A:

**Q: 2.**

T / T Paypal  
DHL FedEx TNT UPS

**Q: 3. 如何選擇合適的RFID標籤？**

A: 選擇合適的RFID標籤時，應考慮以下因素：

**Q: 4. 如何選擇合適的RFID系統？**

A: 選擇合適的RFID系統時，應考慮以下因素：

**Q: 5. 如何選擇合適的RFID設備？**

A: 選擇合適的RFID設備時，應考慮以下因素：RFID設備的類型、RFID設備的數量、RFID設備的安裝位置、RFID設備的維護等。OEM設備通常具有較高的性能和較低的成本。

**Q: 6. 如何選擇合適的RFID應用？**

A: 選擇合適的RFID應用時，應考慮以下因素：RFID應用的類型、RFID應用的規模、RFID應用的複雜程度、RFID應用的預算等。RFID應用通常分為零售、物流、製造、醫療、交通等領域。零售領域的RFID應用通常包括商品追蹤、庫存管理、防偽等。物流領域的RFID應用通常包括貨物追蹤、倉庫管理、運輸管理等。製造領域的RFID應用通常包括生產過程監控、質量控制、設備維護等。醫療領域的RFID應用通常包括患者身份識別、藥品管理、手術室管理等。交通領域的RFID應用通常包括車輛識別、收費管理、交通監控等。RFID應用的規模通常分為小規模、中規模、大規模。RFID應用的複雜程度通常分為簡單、中等、複雜。RFID應用的預算通常分為低預算、中預算、高預算。



# 20<sup>+</sup> YEARS EXPERIENCE OEM & ODM

ACCESS CONTROL SYSTEMS ONE STOP SOLUTION PROVIDER

Goldbridge is Top 10 China Manufacture On Alibaba, Specializes In Provide Kinds Of RFID/NFC Cards, FID Tags, RFID Card Reader, UHF Reader, Access Control System, Electromagnetic Locks, etc Since 1999



Customized Services



Quality Assurance



Fast Delivery



Best After-Sales Service

## OUR FACTORY



- **Access Control and RFID Reader Production Line:**
- Monthly production quantity is up to 50,000pcs, We are Provides OEM&ODM services including product research and development, LOGO printing, customized.etc



- **Electromagnetic lock & Smart Door Lock Production Line :**
- Monthly production quantity is up to 100,000pcs ,
- Our factory is built with modern manufacture environment, facilities, equipment and professional operation technicians.
- Goldbridge Provides OEM&ODM services including product research and development, LOGO printing and product box customized.



- **RFID & NFC Cards & Tags Production Line :**
- RFID Tag, Wristband, Keyfob: 11,000,000pcs (monthly output)
- Four Production Lines For Smart Card, PVC Card, Prelam Sheet: 20,000,000pcs (monthly output)
- Goldbridge Provides OEM&ODM services for LOGO printing, development, customized.

## ADVANTAGE



### WHY CHOOSE US?

- 1 **FAST DELIVERY** Faster delivery by air by express. (DHL,UPS or Fedex)
- 2 **LONG HISTORY** 20 years experience in RFID & Access Control industry
- 3 **OEM ACCEPTABLE** 20 years OEM&ODM experience for 1000 + VIP client from US and Europe
- 4 **HIGH QUALITY** Design and manufacture high quality produtcs with 30 R&D; engineers.

## APPLICATION

Bus, supermarket,school, government, hospital, factory



## CERTIFICATE



