



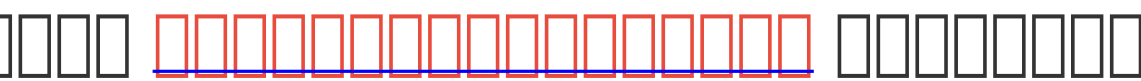
**10,000 Users DC 12-24V**

**Wiegand 26**

EM Card Reader

- > Card type: EM
- > Mental backlight keypad
- > Contains card reader mode. The transmission format could be adjusted by user.
- > Supports different access ways: Entry by Card Code or Entry by multi cards
- > Support master added card and deleted card
- > User capacity: 10,000 users

1  
 2  
 3  
 4  
 5  
 6  
 7  
 8  
 9  
 10  
 11  
 12  
 13  
 14  
 15  
 16  
 17  
 18  
 19  
 20  
 21  
 22  
 23  
 24  
 25  
 26  
 27  
 28  
 29  
 30  
 31  
 32  
 33  
 34  
 35  
 36  
 37  
 38  
 39  
 40  
 41  
 42  
 43  
 44  
 45  
 46  
 47  
 48  
 49  
 50  
 51  
 52  
 53  
 54  
 55  
 56  
 57  
 58  
 59  
 60  
 61  
 62  
 63  
 64  
 65  
 66  
 67  
 68  
 69  
 70  
 71  
 72  
 73  
 74  
 75  
 76  
 77  
 78  
 79  
 80  
 81  
 82  
 83  
 84  
 85  
 86  
 87  
 88  
 89  
 90  
 91  
 92  
 93  
 94  
 95  
 96  
 97  
 98  
 99  
 100



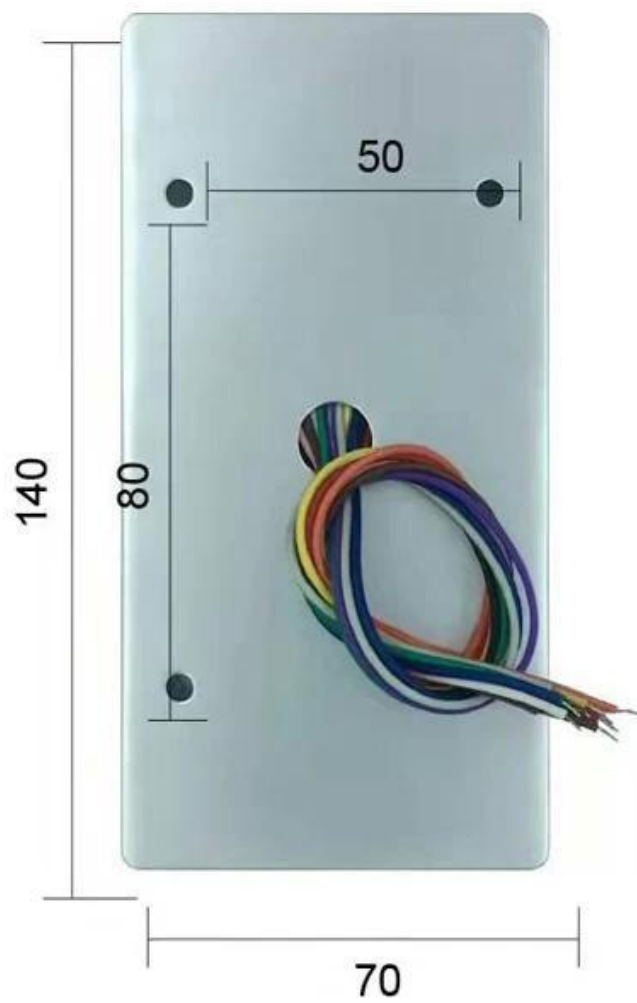
ACM-209J 指紋辨識器 說明書

1. 指紋辨識器 安裝說明
2. 指紋辨識器 安裝說明
3. 指紋辨識器 安裝說明 2 ACM-209J 指紋辨識器 安裝說明 4. 3 指紋辨識器 安裝說明 1. 指紋辨識器
2. 指紋辨識器 安裝說明 3. 指紋辨識器
5. 0.1 指紋辨識器 安裝說明 6. 指紋辨識器 安裝說明 1000
7. 指紋辨識器 安裝說明
8. 指紋辨識器 安裝說明

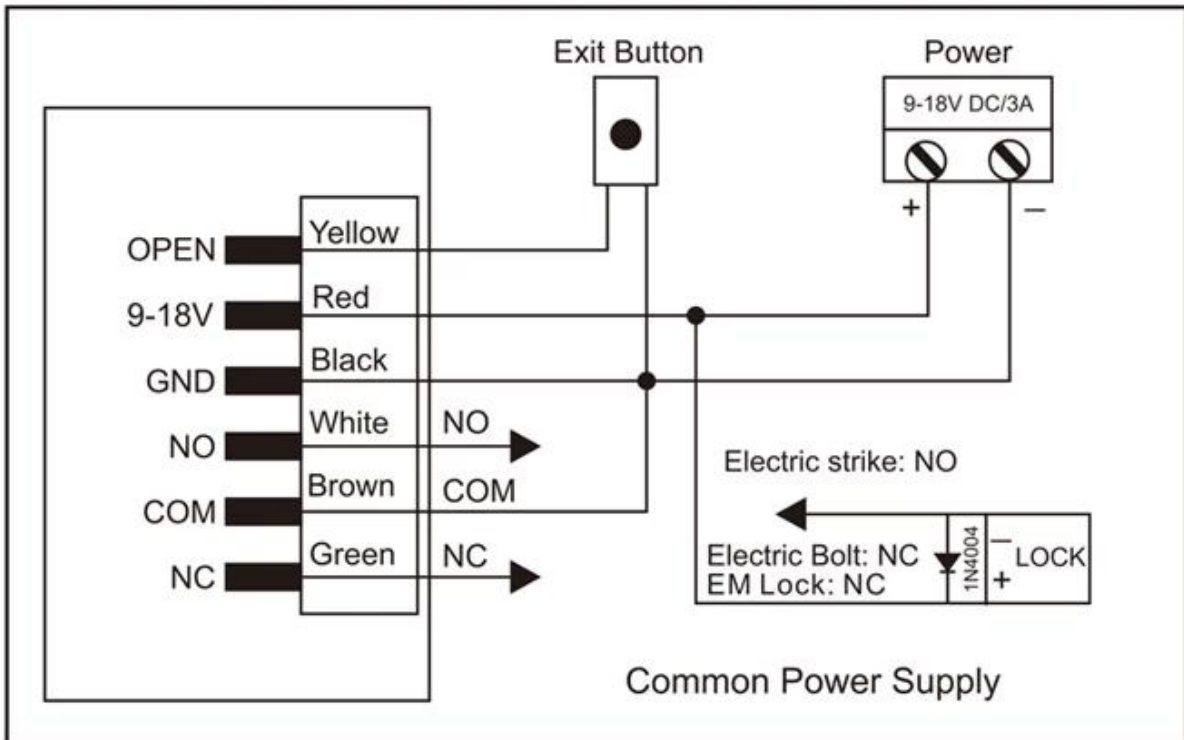


ACM-209J 指紋辨識器 說明書

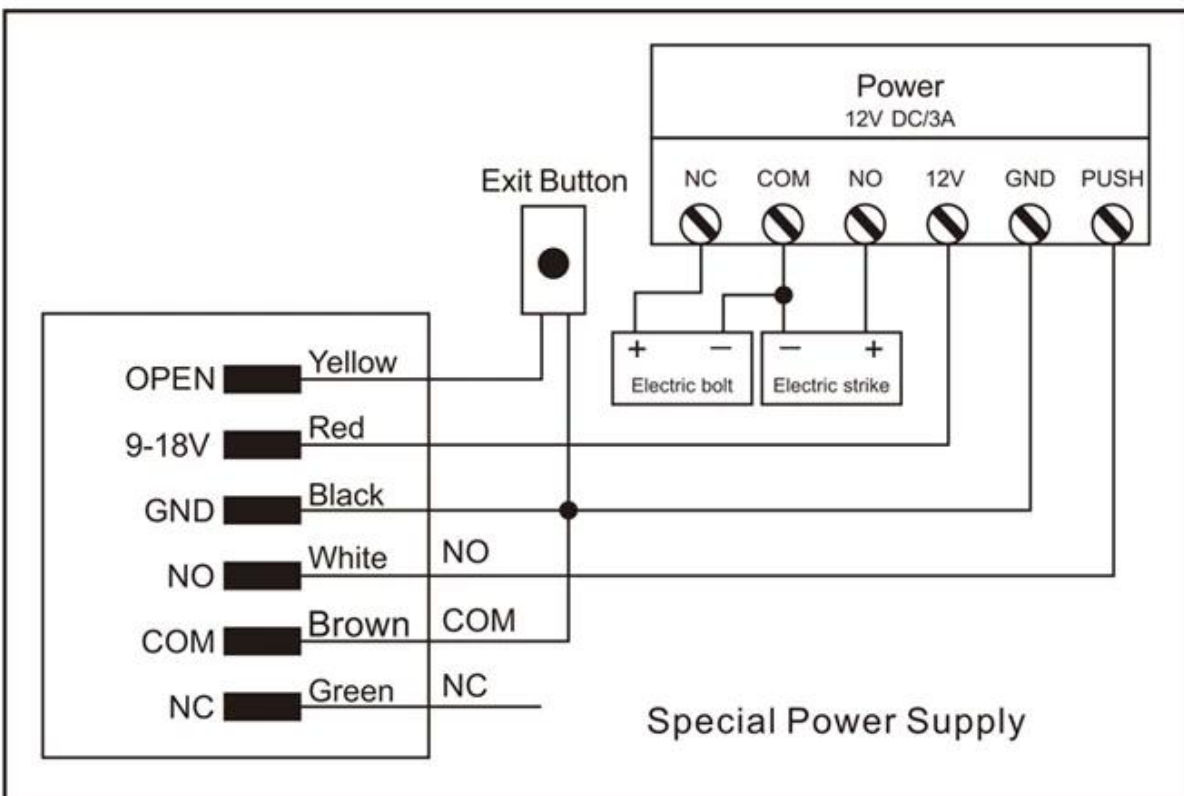




## Common Power Supply



## Special Power Supply



□□□□

□□□□

□□□DHL□FEDEX□TNT□UPS□EMS□SEA□□□AIR□□□□□□□□□□□□□□□□□□□□□□□□□□

□□□□□□□□□□□□□□□□

□□

□□□□□□□□□□□□: □□□□

□□□□□□

□□□





**ACM223**

RFID 125/4000 US 125Khz

**ACM209-NW**

RFID (125) 125Khz EM

**ACM208**

RFID





### ACM210

RFID 125Khz EM (125Khz)

### ACM225

RFID 125Khz EM (125Khz) 125Khz EM (125Khz)

### ACM211B

RFID 125Khz EM (125Khz) 125Khz EM (125Khz)

RFID 125Khz EM (125Khz)

- 1) 24 hours
- 2) OEM/ODM
- 3) 1-5 years
- 4) 7-30 days
- 5) DHL, FEDEX, TNT, UPS, EMS

RFID 125Khz EM (125Khz)

#### Q: 1. RFID 125Khz EM (125Khz)

A: 125Khz EM (125Khz) 125Khz EM (125Khz)

#### Q: 2. OEM/ODM

A: 1-5 years 7-30 days DHL, FedEx, TNT, UPS

#### Q: 3. 125Khz EM (125Khz)

A: 125Khz EM (125Khz) 125Khz EM (125Khz)





# 20+ YEARS EXPERIENCE OEM & ODM

ACCESS CONTROL SYSTEMS ONE STOP SOLUTION PROVIDER

Goldbridge is Top 10 China Manufacture On Alibaba, Specializes In Provide Kinds Of RFID/NFC Cards, FID Tags, RFID Card Reader, UHF Reader, Access Control System, Electromagnetic Locks, etc Since 1999



Customized Services



Quality Assurance



Fast Delivery



Best After-Sales Service

## OUR FACTORY



- **Access Control and RFID Reader Production Line:**
- Monthly production quantity is up to 50,000pcs, We are Provides OEM&ODM services including product research and development, LOGO printing, customized.etc



- **Electromagnetic lock & Smart Door Lock Production Line :**
- Monthly production quantity is up to 100,000pcs ,
- Our factory is built with modern manufacture environment, facilities, equipment and professional operation technicians.
- Goldbridge Provides OEM&ODM services including product research and development, LOGO printing and product box customized.



- **RFID & NFC Cards & Tags Production Line :**
- RFID Tag, Wristband, Keyfob: 11,000,000pcs (monthly output)
- Four Production Lines For Smart Card, PVC Card, Prelam Sheet: 20,000,000pcs (monthly output)
- Goldbridge Provides OEM&ODM services for LOGO printing, development, customized.

## ADVANTAGE



### WHY CHOOSE US?

- 1 **FAST DELIVERY** Faster delivery by air by express. (DHL,UPS or Fedex)
- 2 **LONG HISTORY** 20 years experience in RFID & Access Control industry
- 3 **OEM ACCEPTABLE** 20 years OEM&ODM experience for 1000 + VIP client from US and Europe
- 4 **HIGH QUALITY** Design and manufacture high quality produtcs with 30 R&D; engineers.

## APPLICATION

Bus, supermarket,school, government, hospital, factory



## CERTIFICATE



