

XXXXXXXXXX

XXXX

			<p>support Wiegand 26 input and output</p> 
<p>AI Access Control</p>	<p>Face Recognition</p>	<p>Tuya Keypad Access Control</p>	<p>WG 26 Keypad Access Control</p>
		<p>Support 1000 user cards unlock with RFID key card, or password, or RFID card+password Used with Rainproof Cover, can be installed outside.</p>  <p>RFID Cards Password Unlock RFID Cards+Password Unlock</p>	
<p>RFID Access Control</p>	<p>RFID Keys</p>	<p>RFID Cards+Password Unlock</p>	<p>Keypad Access Control</p>
			
<p>RFID Access Control</p>	<p>WiFi Access Control</p>	<p>Access Control System</p>	<p>Tuya WiFi Access Control</p>

<p>XXXX</p>	<p>XXXXXXXXXX</p>
<p>XX</p>	<p>XXXXXXXXXXXXXXXXXXXXXXXXXXXX</p>
<p>XXX</p>	<p>1/2/4XXX</p>
<p>XXXXX</p>	<p>AAA</p>
<p>XX</p>	<p>XXXXXXXXXXXXXXXXXXXXXXXXXXXX</p>
<p>XXX</p>	<p>433MHz 4 CH XXX XXXX XXXXXXXX XXXXXXXX XXXX XXX XXXX XXXXXXX</p>
<p>XX</p>	<p>DC12V</p>
<p>XXXXX</p>	<p>&gt; 100 m ( open space)</p>
<p>XXX</p>	<p>315M/433.92M/XXXX</p>
<p>XXXXX</p>	<p>2XXXXX/4XXXXX</p>
<p>XXXXX</p>	<p>ABS</p>
<p>XXX</p>	<p>XXXX</p>
<p>XXXXXXXXXXXX</p>	<p>1527 XXXXX</p>
<p>XXXX</p>	<p>XXXXNCXCOM</p>
<p>XXXX</p>	<p>340k</p>

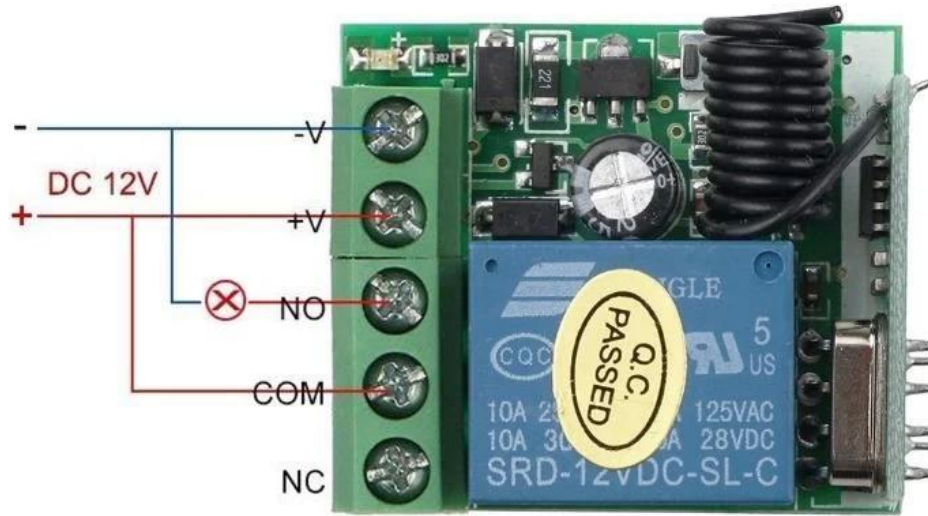




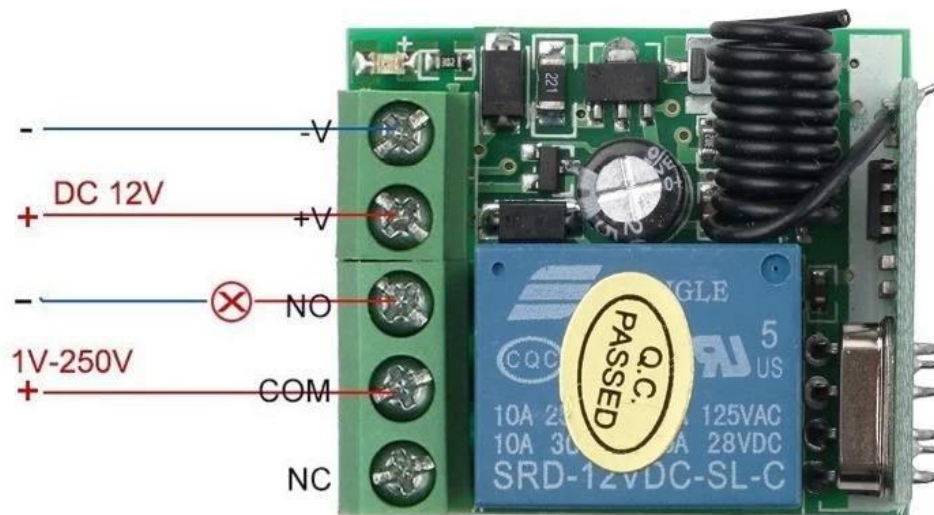




# For Light control



eg.1



eg.2



ACM-K19A



[www.goldbridgesz.com](http://www.goldbridgesz.com)

Wireless remote control

Made in China

1PCS

FILTER  
PULSE

普通拷贝遥控器系列  
ORDINARY COPY REMOTE CONTROL



应用

此类目类型的拷贝遥控器，主要应用于拷贝复制各类电动开门机遥控产品中，主要可对拷贝兼容系列 2262 2260 (PT SC HS LX 等芯片品牌的固定码遥控器) 全系列 1527 527 2240 (EV HS LX PT OT 等芯片品牌的学习码遥控器) 及 HT12D HT12E HT12F HT6P20B HT6P20D HT6P237A HT6P247A HT6P427A HT6P437A HT600 HT680 HT640 HT6010 HT6012 HT6014 SC5262 SM5028RF SM5028S SMC5326P-3 等芯片品牌的固定码遥控器。不可拷贝复制滚动码遥控器!

Application

mainly for copy remote control for chip brands such as PT SC HS LX) , full series 1527 527 2240 ( learning code remote control for chip brands such as EV HS LX PT OT) Remote controls with these fixed code chips:HT12D HT12E HT12F HT6P20B HT6P20D HT6P237A HT6P247A HT6P427A HT6P437A HT600 HT680 HT640 HT6010 HT6012 HT6014 SC5262 SM5028RF SM5028S SMC5326P-3 Etc. But Cannot copy the rolling code remote control which encode by the vendor code

NEW Upgrade Remote Control Duplicator  
“新升级复制(拷贝)遥控器”

1. 产品参数  
电池 (Battery) : 9V  
调制方式 (Modulation) : ASK  
工作频率 (Frequency) : 315MHz/433MHz Multi-frequencies Duplicator



2. 电池 (Battery) : 6V  
调制方式 (Modulation) : ASK  
工作频率 (Frequency) : 315MHz/433MHz



4. 电池 (Battery) : 9V  
调制方式 (Modulation) : ASK  
工作频率 (Frequency) : 315MHz/433MHz

5. 电池 (Battery) : 12V  
调制方式 (Modulation) : ASK  
工作频率 (Frequency) : 315MHz/433MHz  
此产品有电源开关







Complete Door Access Control Solution Provider



Hot Selling Equipments

BEST SELLERS

Standalone Fingerprint & RFID Outdoor Waterproof Access Controller



ACM-209E ACM-209V ACM-209H ACM-210E ACM-9800



ACM-209D ACM-209F ACM-851 ACM-TM07 ACM-TM05  
 Face Recognition Face Recognition

Standalone Waterproof Metal RFID Access Control



ACM-211A ACM-212A ACM-208A ACM-210A ACM-208B



ACM-208C ACM-A65 ACM-A55 ACM-210F ACM-209A

Standalone Waterproof Touch Screen /Keypad RFID Access Controller



ACM-230K ACM-230T ACM-223 ACM-225 ACM-227



ACM-226 ACM-301C ACM-301D ACM-212 ACM-212C

Touch Screen Standalone Waterproof Metal RFID Access Controller



ACM-A40 ACM-A50 ACM-A10 ACM-A20 ACM-A30



ACM-A60 ACM-A80 ACM-A88 ACM-A21 ACM-A51





# 20<sup>+</sup> YEARS EXPERIENCE OEM & ODM

ACCESS CONTROL SYSTEMS ONE STOP SOLUTION PROVIDER

Goldbridge is Top 10 China Manufacture On Alibaba, Specializes In Provide Kinds Of RFID/NFC Cards, FID Tags, RFID Card Reader, UHF Reader, Access Control System, Electromagnetic Locks, etc Since 1999



Customized Services



Quality Assurance



Fast Delivery



Best After-Sales Service

## OUR FACTORY



- **Access Control and RFID Reader Production Line:**
- Monthly production quantity is up to 50,000pcs , We are Provides OEM&ODM services including product research and development, LOGO printing, customized.etc



- **Electromagnetic lock & Smart Door Lock Production Line :**
- Monthly production quantity is up to 100,000pcs ,
- Our factory is built with modern manufacture environment, facilities, equipment and professional operation technicians.
- Goldbridge Provides OEM&ODM services including product research and development, LOGO printing and product box customized.



- **RFID & NFC Cards & Tags Production Line :**
- RFID Tag, Wristband, Keyfob: 11,000,000pcs (monthly output)
- Four Production Lines For Smart Card, PVC Card, Prelam Sheet: 20,000,000pcs (monthly output)
- Goldbridge Provides OEM&ODM services for LOGO printing, development, customized.

## ADVANTAGE



### WHY CHOOSE US?

- 1 **FAST DELIVERY** Faster delivery by air by express. (DHL,UPS or Fedex)
- 2 **LONG HISTORY** 20 years experience in RFID & Access Control industry
- 3 **OEM ACCEPTABLE** 20 years OEM&ODM experience for 1000 + VIP client from US and Europe
- 4 **HIGH QUALITY** Design and manufacture high quality produtcs with 30 R&D; engineers.

## APPLICATION

Bus, supermarket,school, government, hospital, factory



## CERTIFICATE





## PRODUCT CATEGORY

### RFID / NFC SMART CARD

Be customized according to you need

Fit for systems of transport, E-payment, Access Control, Event, Loyalty, ect.



[View More](#)

### ACCESS CONTROL SYSTEM

Security for All: Network Access Control Board ,Standalone Access Controller, Biometric Access Control, T&A time attendance, Facial Access Control



[View More](#)

### RFID & LONG RANGE UHF READER

20+ Years of professional Experience in production of rfid uhf hardware

- UHF desktop reader writer,
- UHF integrated reader,
- UHF R2000 fixed reader,



[View More](#)

### ELECTROMAGNETIC LOCK

Professional Electric Locks Manufacturer In China

Electromagnetic lock with OEM & ODM since 1999 60KG /110KG /180KG /280KG /350KG /500KG



[View More](#)

## FAQ

**Q1** How can I place an order?

**A1** Click start to order or list your requirement to us by email. Then we will send the offer to you ASAP, after the order confirmed, we will arrange production ASAP.

**Q2** What about the payment and shipment?

**A3** T/T , Paypal, Western Union etc.  
You can choose your agent or via our agent by sea, air or express (DHL,FedEx, TNT UPS etc.)

**Q4** How can I get a sample to check your quality?

**A4** We could provide the sample to you, pls check the sample cost and freight cost with us.

**Q5** How long can I expect to get the goods?

**A5** It depends on the quantity and shipping way. You can check with us before ordered.

**Q6** Can your products be customized?

**A6** Almost all of our products are customized , including the material, size, thickness and printing. OEM orders are highly welcome.

[Contact Us](#)



[BACK TO HOMEPAGE >](#)