



Touch2 IP68 NFC **RFID 125KHz & 13.56MHz**

- > Read 125KHz EM / HID / 13.56MHz / CPU
- > (F: EM 125KHz)
- > Metal backlight keypad
- > Contains card reader mode. The transmission format could be adjusted by user.
- > Supports different access ways: Entry by Card Code or Entry by multi cards
- > Support master added card and deleted card
- > User capacity: 10,000 users









THREE METHODS



Fingerprint



Password

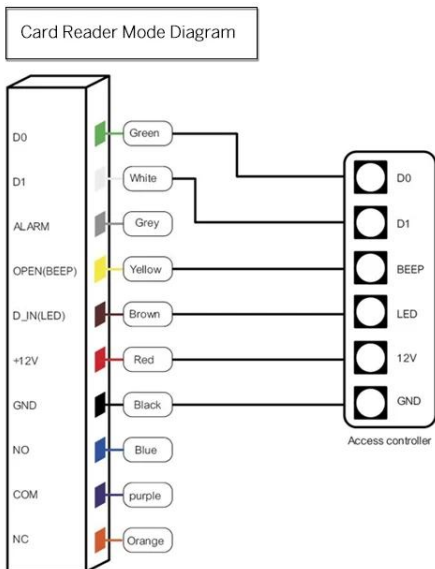
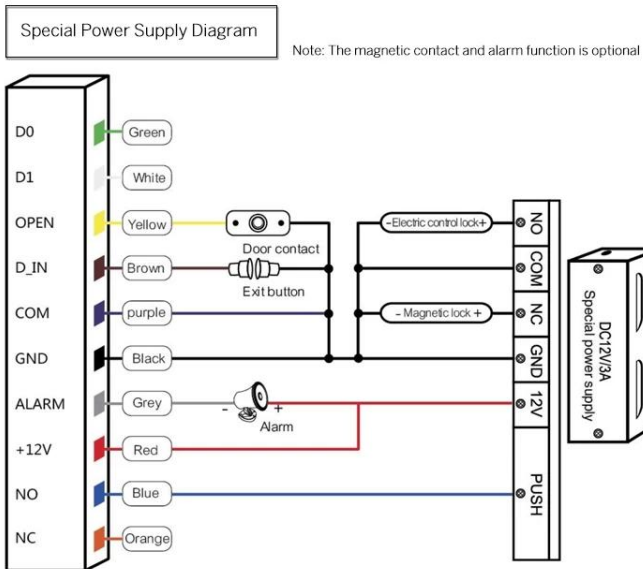
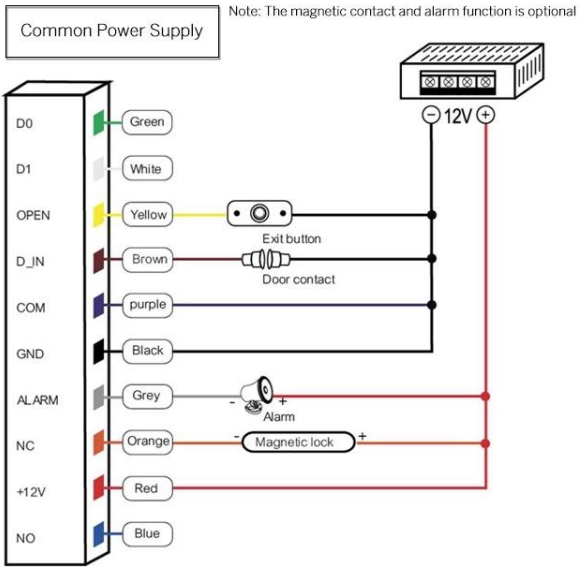


Card

Dimensions(mm)



WIRING DIAGRAM





ACM223

RFID 125/4000 US 125Khz

ACM209-NW

RFID (125Khz) EM

ACM208

RFID





ACM210

RFID 125Khz EM (125Khz)

ACM225

RFID 125Khz EM (125Khz) 125Khz EM (125Khz)

ACM211B

RFID 125Khz EM (125Khz) 125Khz EM (125Khz)

RFID 125Khz EM (125Khz)

- 1) 24 hours
- 2) OEM/ODM
- 3) 1-5 days / 7-30 days
- 4) DHL / FEDEX / TNT / UPS / EMS

RFID 125Khz EM (125Khz)

Q: 1. RFID 125Khz EM (125Khz)

A: 125Khz EM (125Khz) 125Khz EM (125Khz)

Q: 2. RFID 125Khz EM (125Khz)?

A: 125Khz EM (125Khz) 125Khz EM (125Khz) DHL / FedEx / TNT / UPS

