



LED 12V 5A

5A

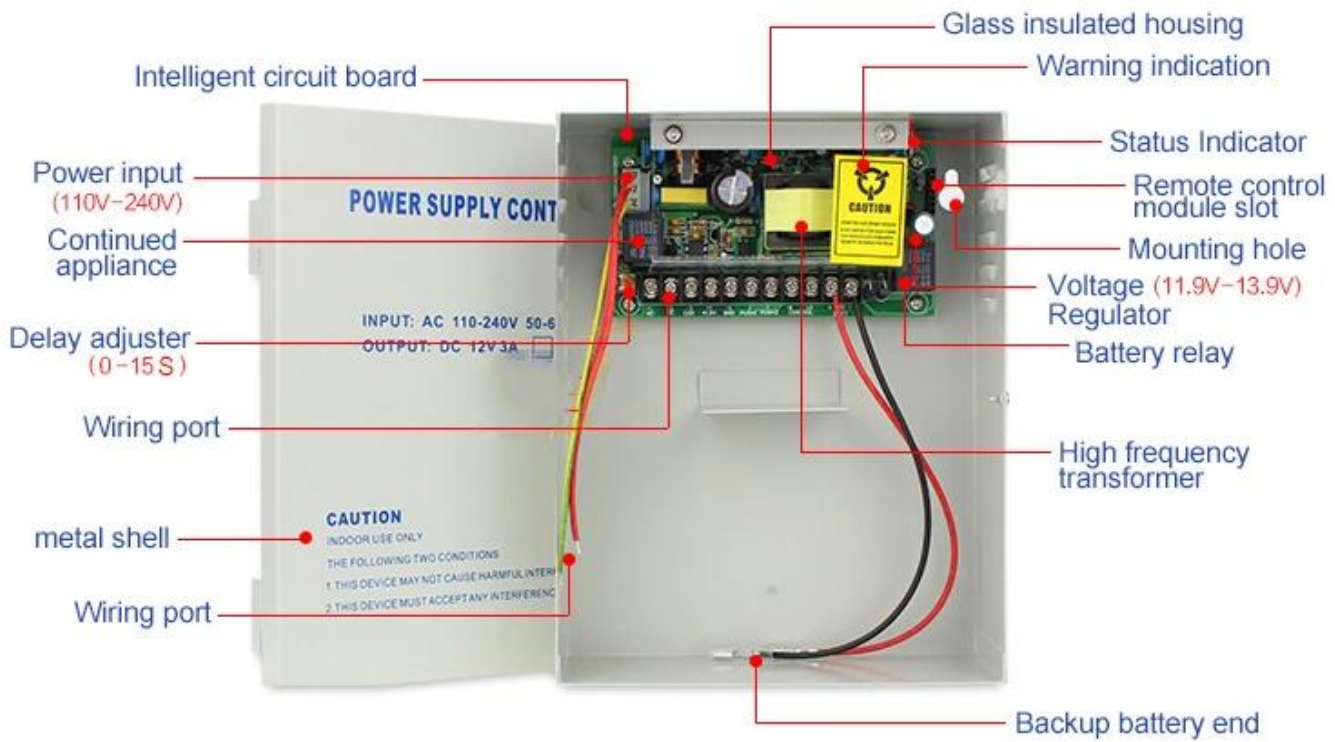
...

...



W
D
C
V
;
/ n c .
S

□□ □□

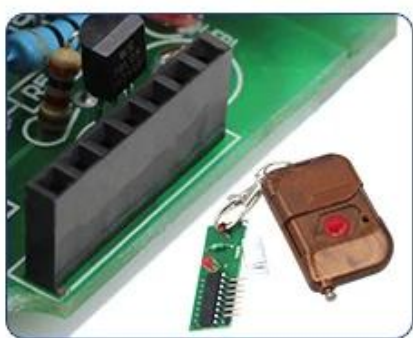


External terminal



External wiring port for easy wiring, easy to use, save installation time

Remote control module slot



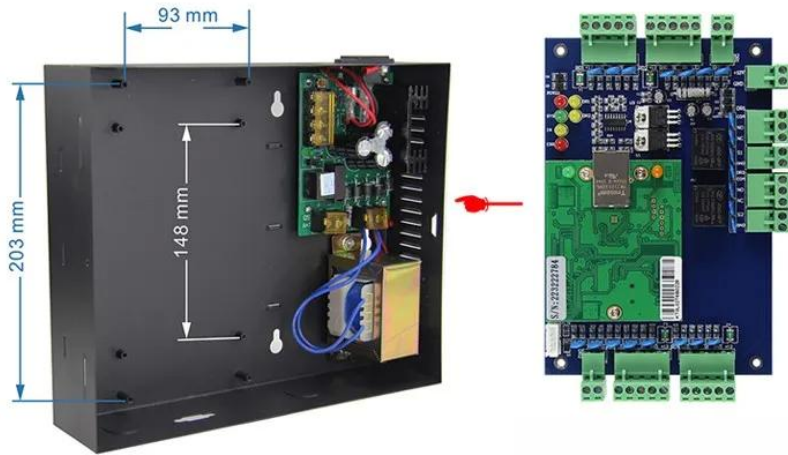
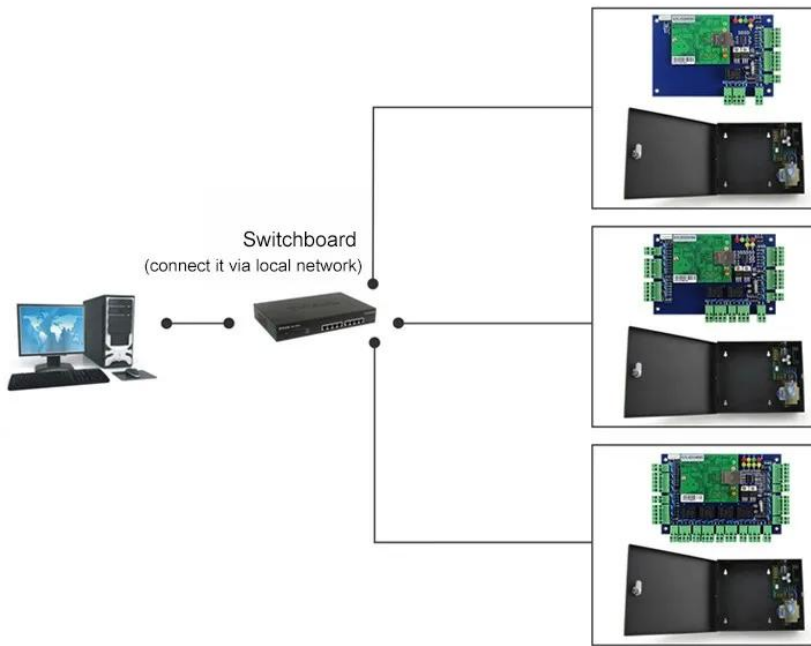
The access control power board slot design can insert the remote control module into the slot and unlock it with one button.

For strong current



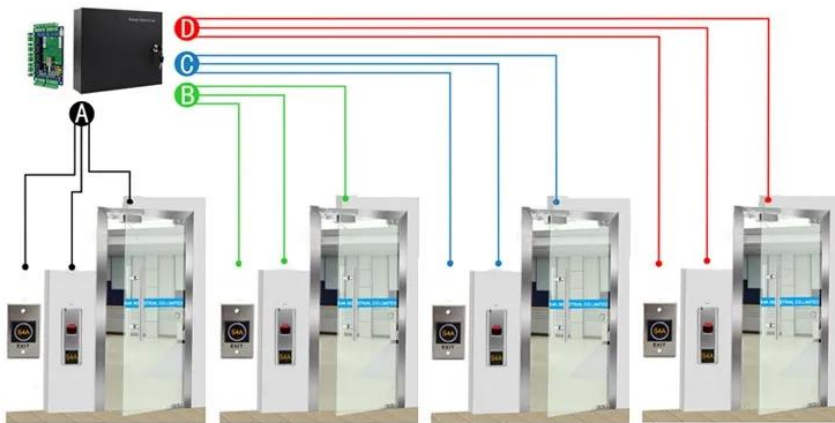
Ordinary access control power supply provides 1.5-1.8A current output, 208K 5A access control power supply provides 5A current output





Kindly remind:

All network control board must configure with access power supply.
1 board for 1 power supply

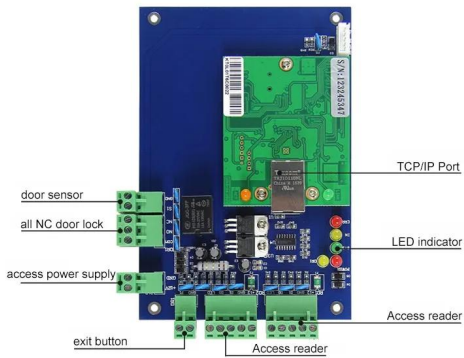
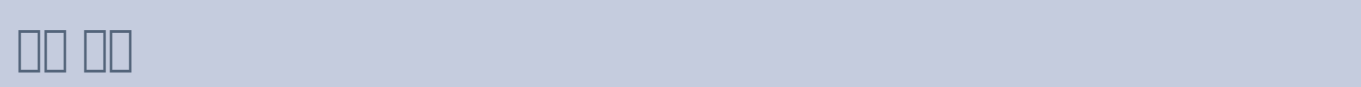


ACM-WEG04

Four doors 1 way: Control 4doors (Enter by Swipe cards and Exit by Push button)

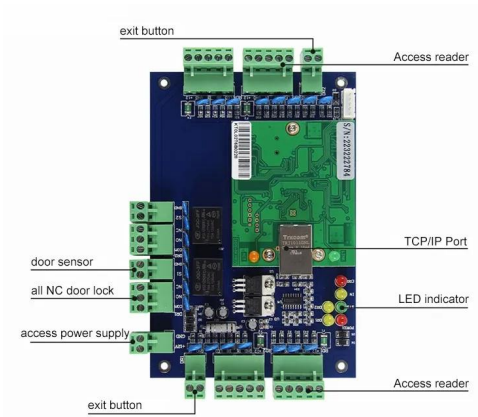
3 !!!

20 ... ! ...



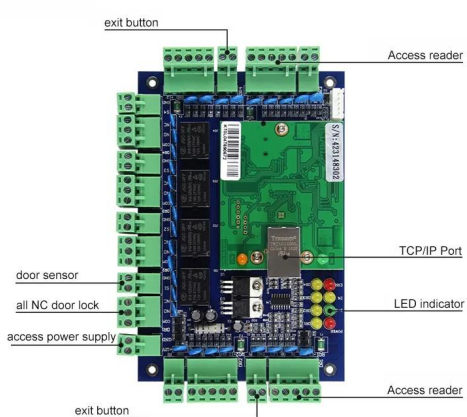
ACM-WEG01.

1 ...



ACM-WEG02.

2 ...



ACM-WEG04.

4 ...

You May Like



ACM-K2A / B.

□□ □□ □□ LED□□□□ □□ □□ □□



ACM-Y280.

□□ □□ □□□ (280kg / 600lbs)



ACM-Y806-5A.

□□□□ □□□□□□ □□ □□ □□ 5A



ACM225.

RFID 12KHz.



ACM-210.

RFID Wiegand



ACM26X.

125KHz EM RFID : 115mm x 75.5mm x 16.8mm



ACM Shenzhen Goldbridge

RFID 20 , RFID , RFID , RFID

