



**10,000**     **DC 12-24V Wiegand**

**26**



- > Card type: EM
- > Mental backlight keypad
- > Contains card reader mode. The transmission format could be adjusted by user.
- > Supports different access ways: Entry by Card Code or Entry by multi cards
- > Support master added card and deleted card
- > User capacity: 10,000 users



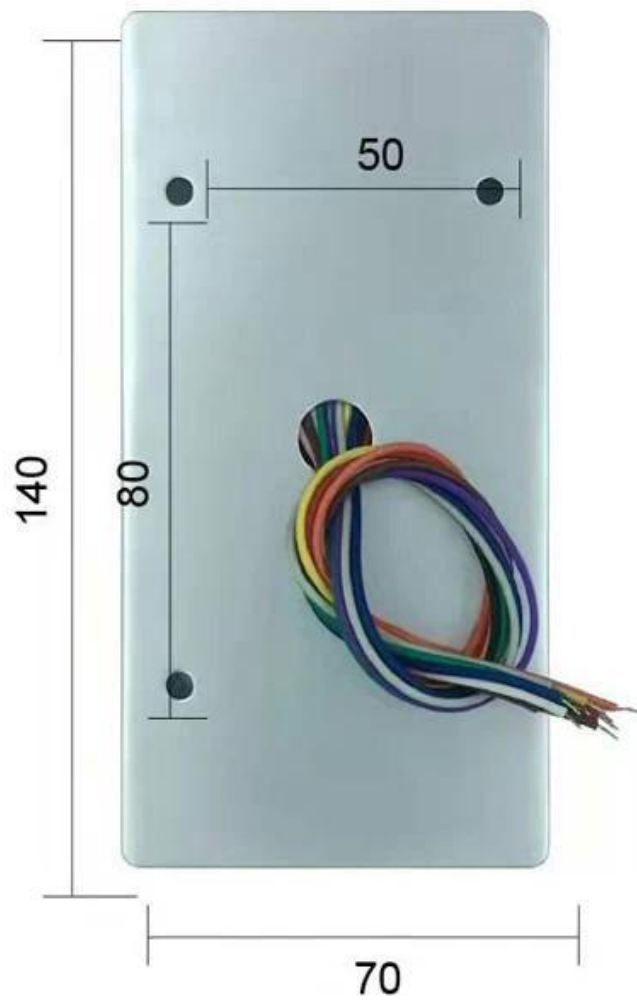
ACM-209J

1. 1. 2. 3. 4. 5. 6. 7. 8.

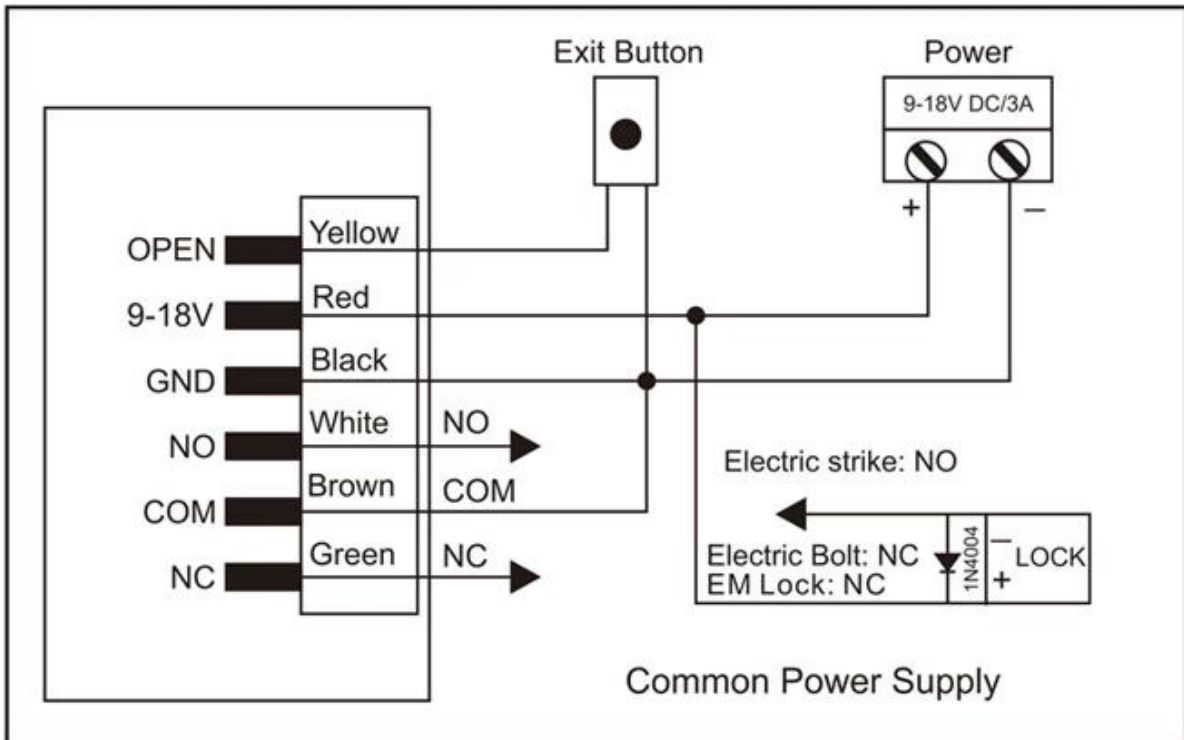


ACM-209J 1. 2. 3. 4.

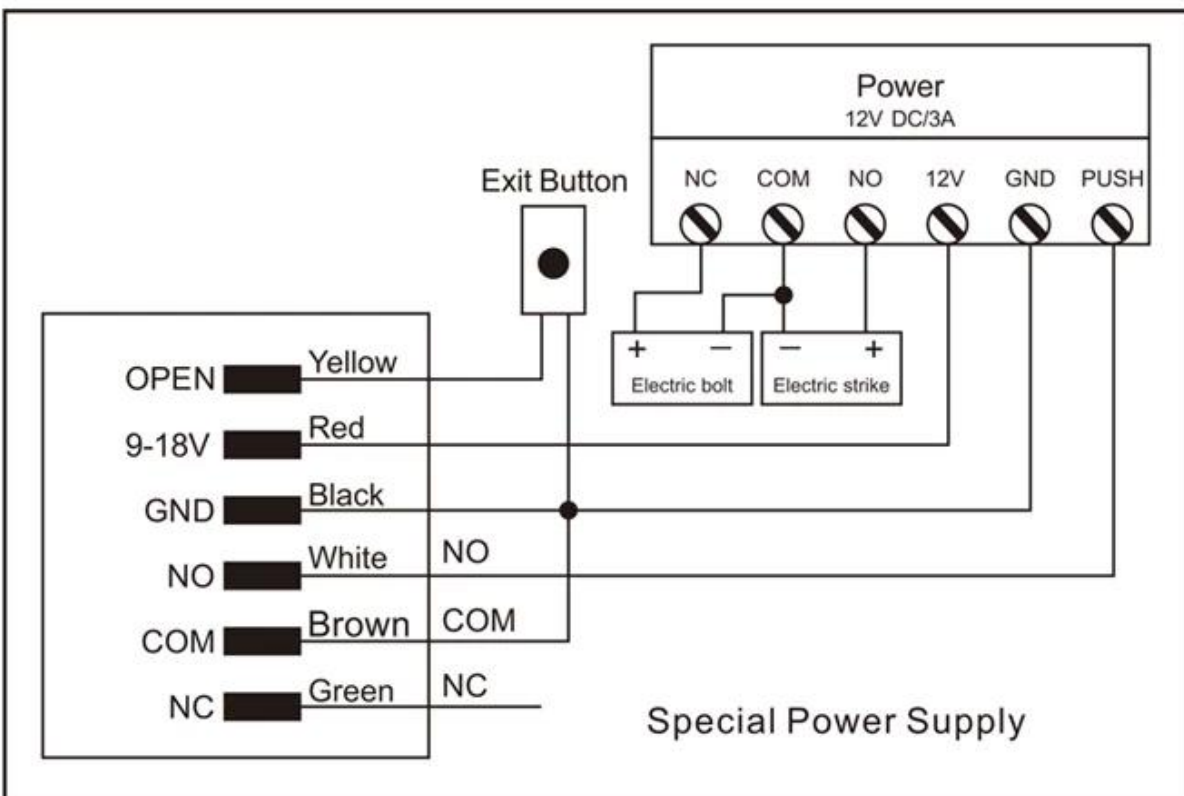




## Common Power Supply



## Special Power Supply



□□ □□

□□□ DHL, FEDEX, TNT, UPS, EMS, SEA □ By AIR □ □□□ □□ □□□□□.

□□  
□□□ □□□ □□ □□: □□ □□

□□□ □□□□□ □□□

□□□ □□□□ □□ □□ □□□□□ □□□ □□ □□ □□ □□ □□□□ □□□ □□□□.





### ACM223

RFID 125/4000 US 125Khz EM

### ACM209-NW

RFID(125 125) 125Khz EM

### ACM208

RFID





### ACM210

RFID 125KHz 125KHz EM, wiegand

### ACM225

RFID 125KHz EM, wiegand

### ACM211B

RFID 125KHz EM, wiegand

RFID 125KHz EM, wiegand

- 1, 24 hours service.
- 2, OEM/ODM service, 1~5 years, 7~30 days.
- 3, OEM/ODM
- 4, fashin desing, 1~5 years, 7~30 days
- 5, 1~5 years:
  - 1) 1~5 years
  - 2) 7~30 days
  - 3) 2-3 years
- 6, 1~5 years : 1~5 years, 7~30 days
- 7, T / T, Western Union, Paypal, Ali
- 8, DHL, FEDEX, TNT, UPS, EMS

RFID 125KHz EM, wiegand

### Q: 1. RFID 125KHz EM, wiegand?

A: 125KHz EM, wiegand

### Q: 2. RFID 125KHz EM, wiegand?

A: T/T, Western Union, Paypal, Ali, DHL, FedEx, TNT, UPS, EMS

**Q: 3. 如何選擇適合的RFID標籤？**

A: 選擇RFID標籤時，需考慮標籤的耐用性、讀取距離、數據容量及成本等因素。

**Q: 4. 如何選擇適合的RFID系統？**

A: 選擇RFID系統時，需考慮系統的讀取距離、數據容量、讀取速度及成本等因素。

**Q: 5. 如何選擇適合的RFID設備？**

A: 選擇RFID設備時，需考慮設備的讀取距離、數據容量、讀取速度及成本等因素。OEM設備通常更具優勢。

**Q: 6. 如何選擇適合的RFID應用？**

RFID應用廣泛，包括RFID標籤/NFC標籤/RFID keybod/RFID標籤RFID標籤等。選擇RFID應用時，需考慮應用的讀取距離、數據容量、讀取速度及成本等因素。



# 20+ YEARS EXPERIENCE OEM & ODM

ACCESS CONTROL SYSTEMS ONE STOP SOLUTION PROVIDER

Goldbridge is Top 10 China Manufacture On Alibaba, Specializes In Provide Kinds Of RFID/NFC Cards, FID Tags, RFID Card Reader, UHF Reader, Access Control System, Electromagnetic Locks, etc Since 1999



Customized Services



Quality Assurance



Fast Delivery



Best After-Sales Service

## OUR FACTORY



- **Access Control and RFID Reader Production Line:**
- Monthly production quantity is up to 50,000pcs, We are Provides OEM&ODM services including product research and development, LOGO printing, customized.etc



- **Electromagnetic lock & Smart Door Lock Production Line :**
- Monthly production quantity is up to 100,000pcs ,
- Our factory is built with modern manufacture environment, facilities, equipment and professional operation technicians.
- Goldbridge Provides OEM&ODM services including product research and development, LOGO printing and product box customized.



- **RFID & NFC Cards & Tags Production Line :**
- RFID Tag, Wristband, Keyfob: 11,000,000pcs (monthly output)
- Four Production Lines For Smart Card, PVC Card, Prelam Sheet: 20,000,000pcs (monthly output)
- Goldbridge Provides OEM&ODM services for LOGO printing, development, customized.

## ADVANTAGE

### WHY CHOOSE US?



- 1 **FAST DELIVERY** Faster delivery by air by express. (DHL,UPS or Fedex)
- 2 **LONG HISTORY** 20 years experience in RFID & Access Control industry
- 3 **OEM ACCEPTABLE** 20 years OEM&ODM experience for 1000 + VIP client from US and Europe
- 4 **HIGH QUALITY** Design and manufacture high quality produtcs with 30 R&D; engineers.

## APPLICATION

Bus, supermarket,school, government, hospital, factory



## CERTIFICATE



