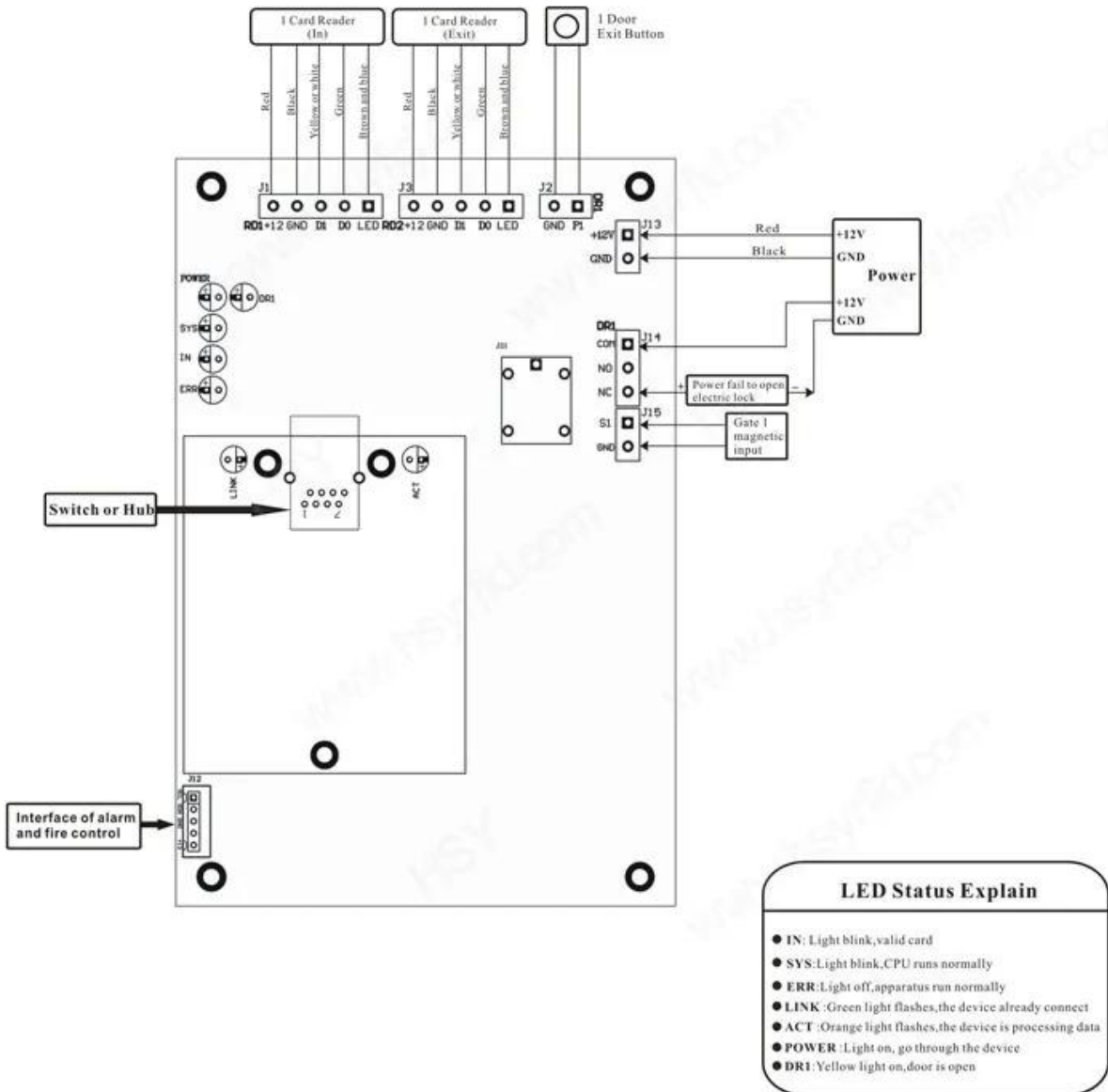




Signal Door Access Controller Wiring Diagram (TCP/IP Communication)



Scope of Application



Company



Hospital



Hotels



Logistics



Port



Financial



Government



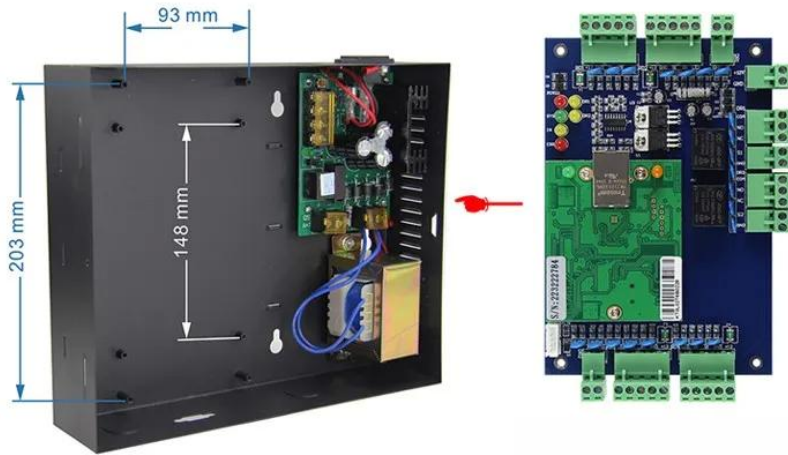
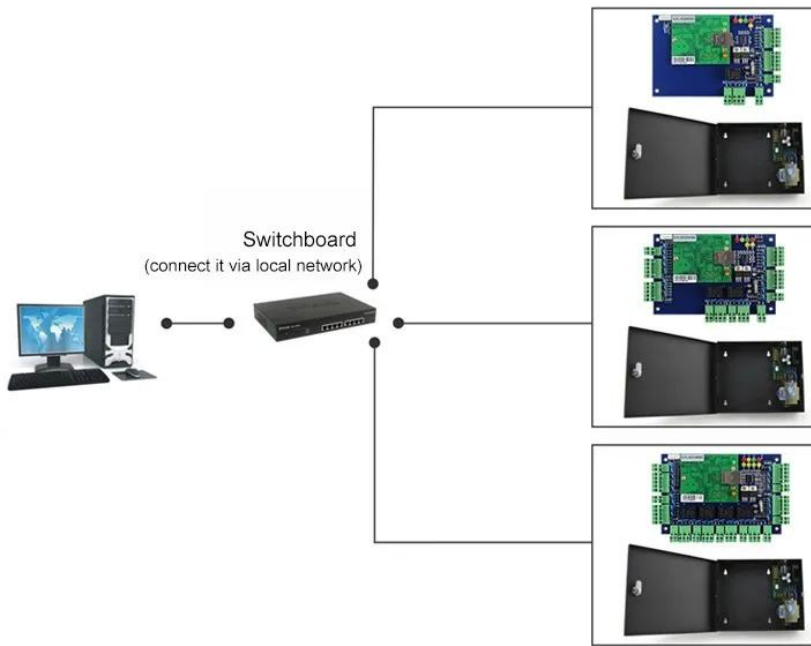
Factory



Aviation

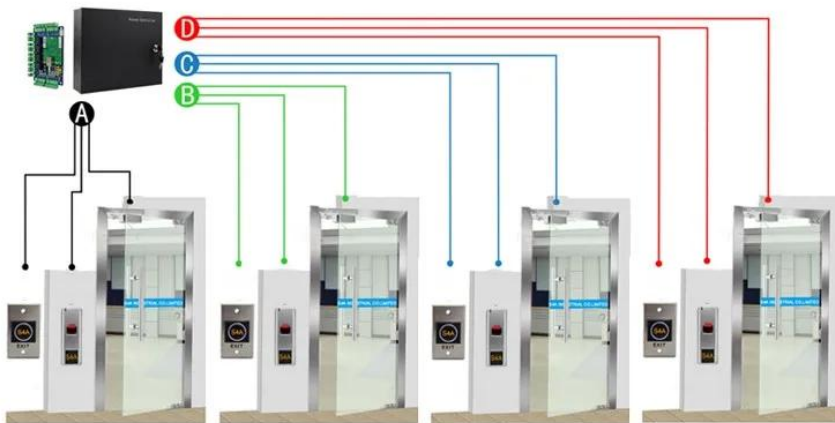


School



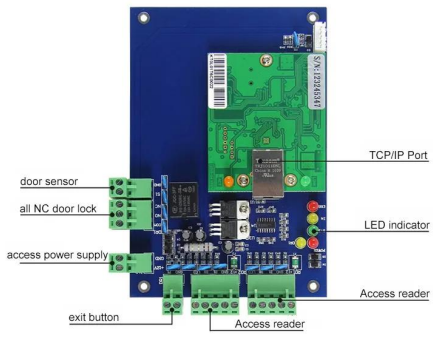
Kindly remind:

All network control board must configure with access power supply.
1 board for 1 power supply



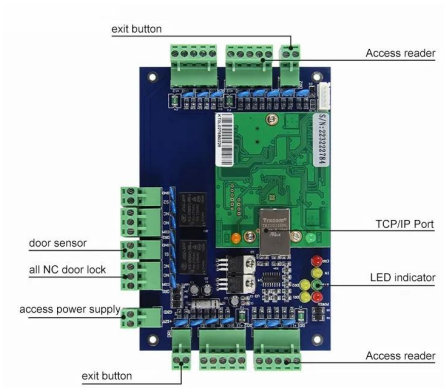
ACM-WEG04

Four doors 1 way: Control 4doors (Enter by Swipe cards and Exit by Push button)



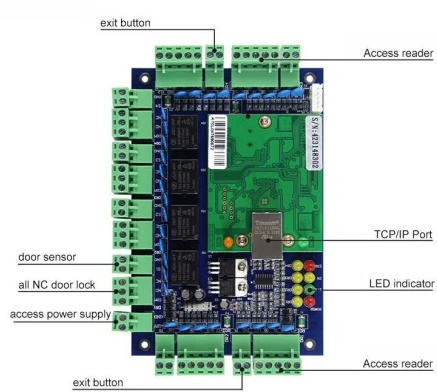
ACM-WEG01

1 00 00 00 0 0000.



ACM-WEG02

2 00 00 00 0 0000.



ACM-WEG04

4 00 00 00 0 0000.

You May Like



ACM-K2A / B

□□ □□ □□ Release Exit Button with LED

ACM-Y180

□□ □□ □□ □□ □□ (180kg)

ACM-Y806-5A

□□□ □□□ □□ □□ □□ 5A



ACM225

RFID 12khz

ACM-210

RFID Wiegand

ACM26X

125Khz EM RFID : 115mm × 75.5mm × 16.8mm

