



100Lbs/60Kg mini Electromagnetic Lock 12V small safety Magnetic cabinet locks

Mini single door magnetic cabinet lock, special used to small cabinet door, like door window, storage cupboard. Saves time and power when installation. Inward door, frameless glass door, narrow door all have a complete set of accessories. Special Anti-residual magnetic design makes automatic access control safer and more convenient.

P
a
P
a
m
e
t
e
r
D
e
s
a
m
e
p
e
r
o
n

I
n
p
r
e
v
o
l
u
t
i
o
n
a
r
y
A
g
e
:
F
i
l
e
C
o
n
t
e
n
t
s

A
r
m
a
t
u
r
e
P
i
n
a
c
t
e
F
i
n
i
s
h

L
o
c
k
S
t
a
t
u
s
S
e
D
P
O
r
o
n
R
E
F
a
n
k
D
e
b
a
T
i
m
e
r
,
B
u
n
z
e
r
W
e
:
S
P
R
E
C
:

A
r
m
a
t
u
r
e
s
L
i
n
e
W
o
r
k
i
n
g
m
a
t
e
r
i
a
l
s
(
L
x
W
x
D
)

Product Advantage

- 1.Passed 100lbs super static linear tension tests.
- 2.Anti-residual magnetic design,keep constant tension.
- 3.Built-in reverse current protection device (MOV), performance stability ,safety coefficient is higher.
- 4.Wear materials, durable.
- 5.Electromagnetic suction work completely, there is no mechanical failure.
- 6.Shell with high strength alloy material, anode hardening treatment.
- 7.lock body with double insulation treatment.

Detailed Images , OEM/ODM available

Mini Single Door Magnetic Lock

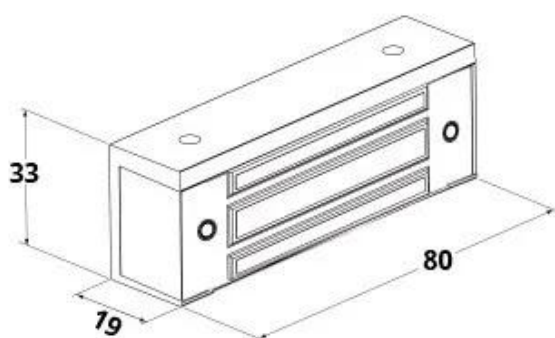
Stable Holding Force

magnetic locks
have 60kg(100 lbs) linear pulling force.



Aluminum Shell

Shell with high strength alloy material,
anode hardening treatment.



NE-60
Lock Size: 80L*33W*19H(mm)

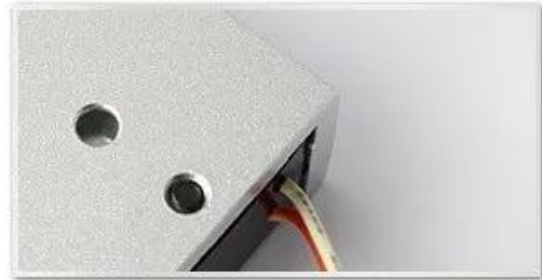
- Input voltage:DC12V,or DC24 (can be customized)

- Holding Force: 60Kgs(120Lbs)
- Suitable for: showcase, cabinet door etc.
- Finishes for Shell: Anodized aluminum
- Finishes for Magnetic: Zinc
- Finishes for Armature: Zinc

Product Application

Double Insulation

Lock body with double insulation treatment.



special Used to Small Cabinet Door

Saves time and power when installation.



Packing & Delivery

Shipping Way

We have strong cooperation with DHL, FEDEX, TNT, UPS, EMS, Forwarder by SEA and By AIR
You also can choose your own shipping forwarder.

Packaging

Magnetic Lock packaging: 1pcs per box,24pcs per carton.
box: 20*9.5*5cm, Weight: 0.6Kgs



You may need



ACM-Y280N

Backplate magnetic lock
(280kgs/600lbs) Suitable For: Wooden
Door, Glass Door, Metal Door, Fire|
Proof Door

ACM-Y180

Surface mounted (180kg/300lbs)
magnetic lock 2Bolts Fail safe.Suitable
For: Wooden Door, Glass Door, Metal
Door, Fire Proof Door.

ACM-Y280

280kg(600lbs) Single Door magnetic
Lock Suitable For: Wooden Door, Glass
Door, Metal Door, Fire Proof Door.



ACM-Y280-L

L Bracket for 280kg/350kg Magnetic
Lock

ACM-Y180ZL

ZL Bracket for 180kg/300lbs Magnetic
Lock

ACM-Y280-ZL

ZL Bracket for 280Kg/350Kg Magnetic Lock

Our Service

- 1, Any inquires will be replied within 24 hours
- 2, Professional manufacturer and supplier, Welcome to visit our website and our factory
- 3, OEM/ODM Available
- 4, High quality, fashin desing, reasonable & competitive price, fast lead time
- 5, After-sale Service :
 - 1), All products will have been strictly quality checked in house before packing
 - 2), All products will be well packed before shipping
 - 3), All our products have 2-3 year warranty if the damage is not caused by human
- 6, Faster delivery : Around 1~ 5 days for sample order, 7~30 days for bulk order
- 7, Payment : You can pay for the order via : T/T, Western Union, Paypal.
- 8, Shipping: We have strong cooperation with DHL, FEDEX, TNT, UPS, EMS, Forwarder by SEA and By AIR, You also can choose your own shipping forwarder.

FAQ

Q: 1. How can I place an order?

A: Please list your requirement to us via email. Then we will send the offer to you at earliest time,after order confirmation, we will arrange production ASAP.

Q: 2.What about the payment and shipment?

A: TT/T ,Paypal, Western Union.

Clients can choose by sea, air or express(DHL, FedEx, TNT UPS etc.)

Q: 3. How can i get a sample to check your quality?

A:We could provide free sample to you, and the freight cost payed by you.

Q:4. How long can I expect to get the samples?

A: It depends on the quantity. Normally 3-7 days for 5000pcs and 7-15 days for 100,000pcs

Q:5. Can your products be customized?

A: Almost all of your products are customized ,including the materia, size, thickness and printing. OEM orders are highly welcome.

Q:6.Are you a trading company or factory?

We are the one of the biggest manufacturer of RFID cards/NFC tags/RFID keybod /RFID wristband[]rfid reader and access control products in China more than 20 years.