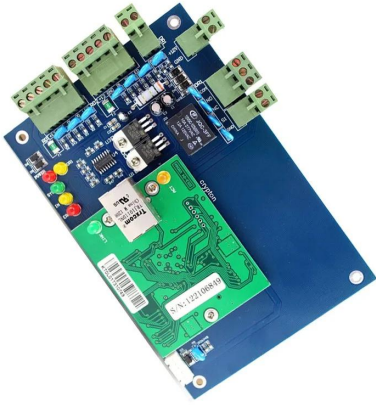


Product Description



WG26 tcp/ip interface rfid tcp/ip 1 door access control system

Access Control Panel provide the solution for powerful combinations of access control and alarm monitoring within off-line networks. The user-friendly Access software programs the system within a few minutes, from a non-dedicated PC.

P
a
P
a
m
e
t
e
r
D
e
s
a
m
e
p
e
r
o
n

C
o
n
t
r
o
l
l
i
d
o
o
r
,
g
e
t
i
n
t
h
e
s
e
s
c
e
n
e
s
e
n
d
i
n
g
t
h
e
o
u
t
d
o
o
r
b
y
e
x
i
t
b
u
t
t
o
n

S
o
f
t
w
a
r
e
l
i
s
t
i
n
g
u
a
g
e
M
a
x
i
m
u
m
n
u
m
b
e
r
o
f
t
h
e
s
o
f
t
w
a
r
e
p
a
c
k
a
g
e
s
s
u
p
p
o
r
t
e
d

Max D
M

T
M
R
k
D
P
s
D
a
p
e
n
h
e
o
w
n
e
n
C
o
n
t
r
a
c
t
e
r
a
r
e
a

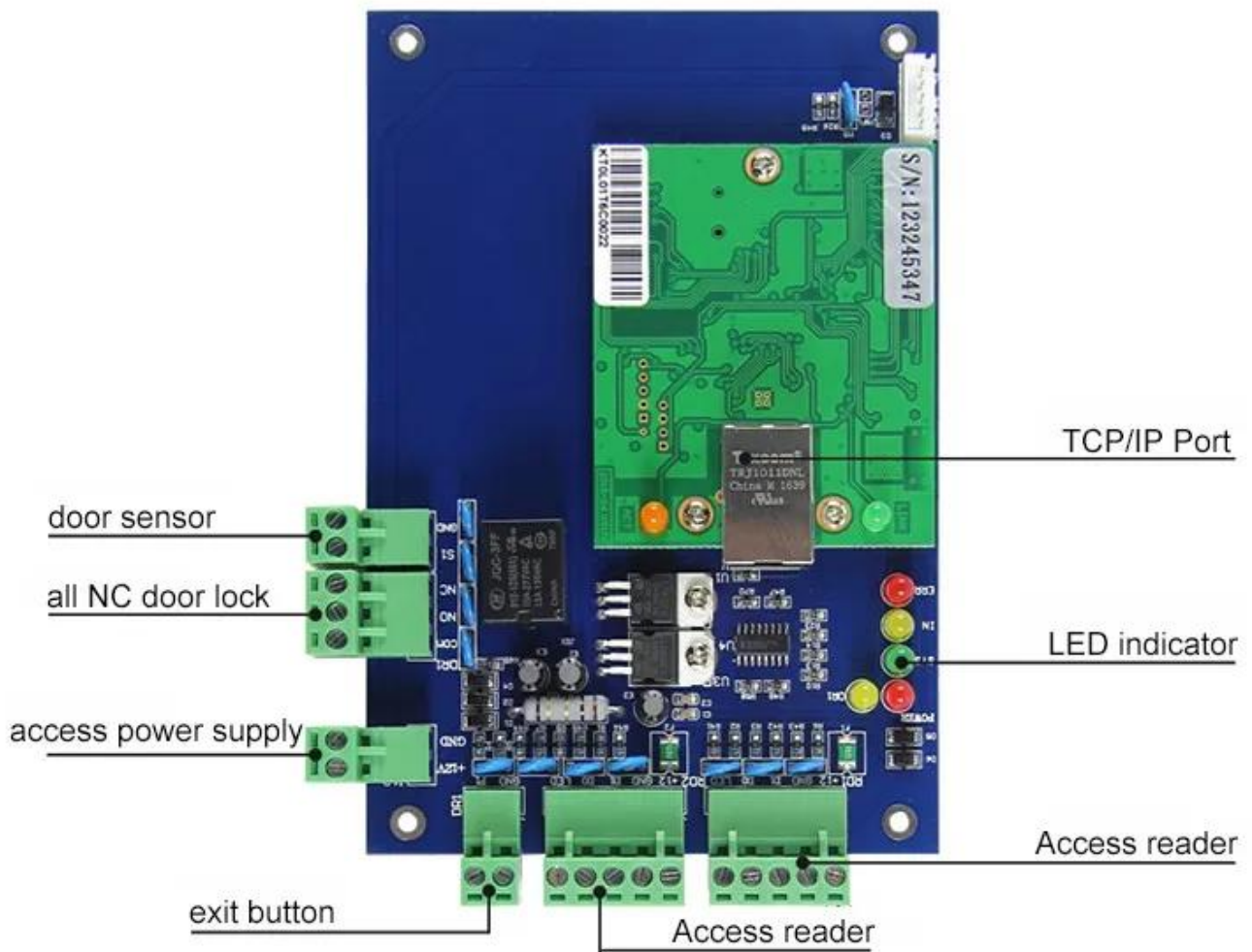
Key pad (card + password)
K
e
y
p
a
d
(
c
a
r
d
+
p
a
s
s
w
o
r
d
)

O
p
e
n
d
O
p
e
n
n
d
o
e
m
m
e
t
r
i
c
d
i
s
t
a
n
c
e
O
p
e
n
t
o
p
r
e
s
s
i
n
g
a
l
l
a
r
m
M
u
l
t
i
x
e
s
d
o
p
e
n

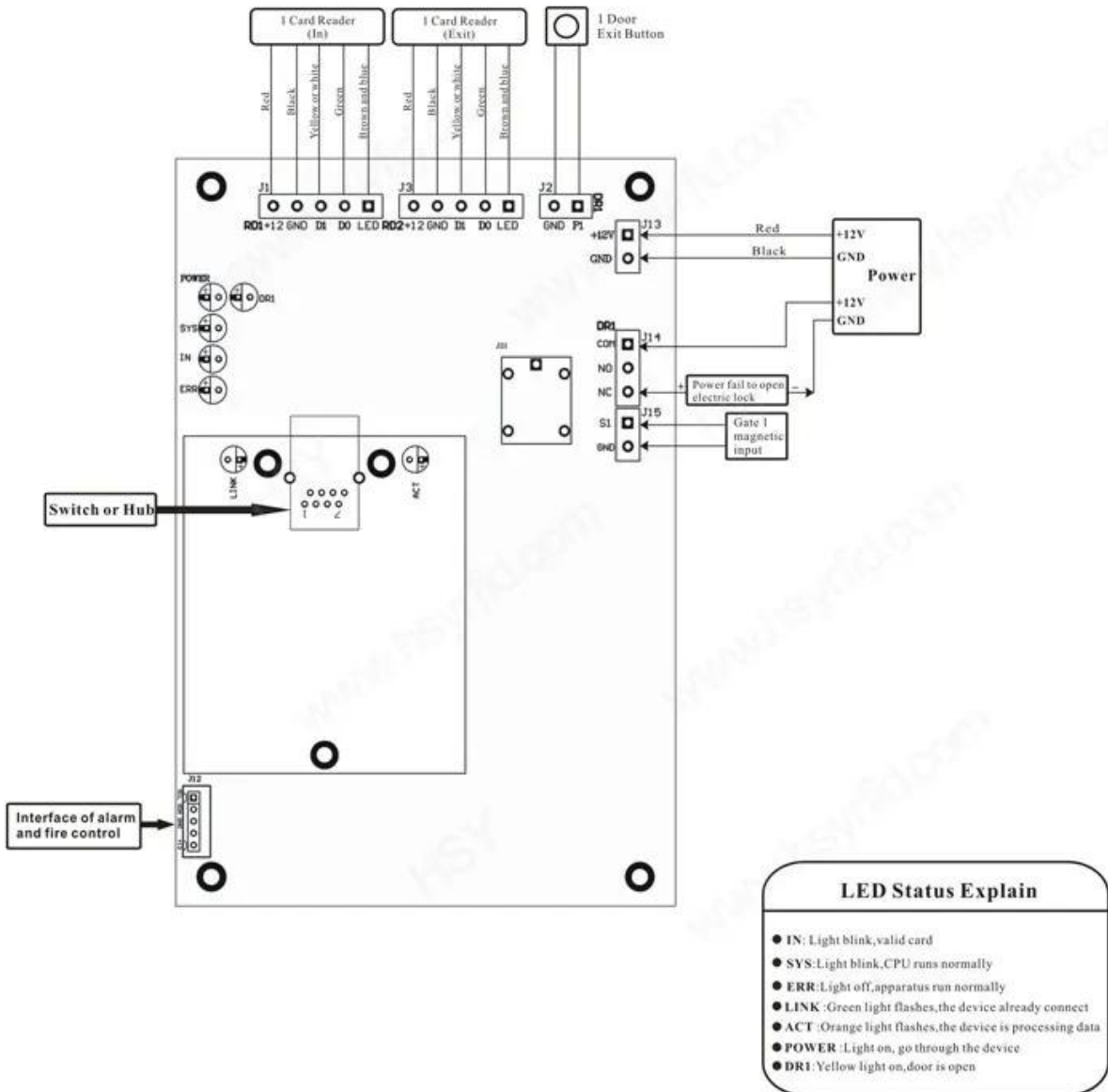
T
i
m
i
n
g
o
o
r
c
l
o
s
e
E
m
e
r
g
e
n
c
y
p
r
o
c
e
d
u
r
e
s
s
w
o
r
d

Detailed Images

This access control board's software provides numerous access control and alarm monitoring features: expiry date for clubs, automatic activation, time zones, supervision, anti-passback, activity reports... Each alarm input is programmable: operating mode (NO or NC), time zones, local reflex (activation of outputs according to input status). Specific alarms are triggered according to the number of unsuccessful attempts, the time limit for door closing (door alarm), the duress code...Whenever required, the data stored in the controllers is transferred to the computer and activity reports are printed. Each controller works independently and keeps its own database. Picture below is the design file for two doors access control panel.



Signal Door Access Controller Wiring Diagram (TCP/IP Communication)



Application

Scope of Application



Company



Hospital



Hotels



Logistics



Port



Financial



Government



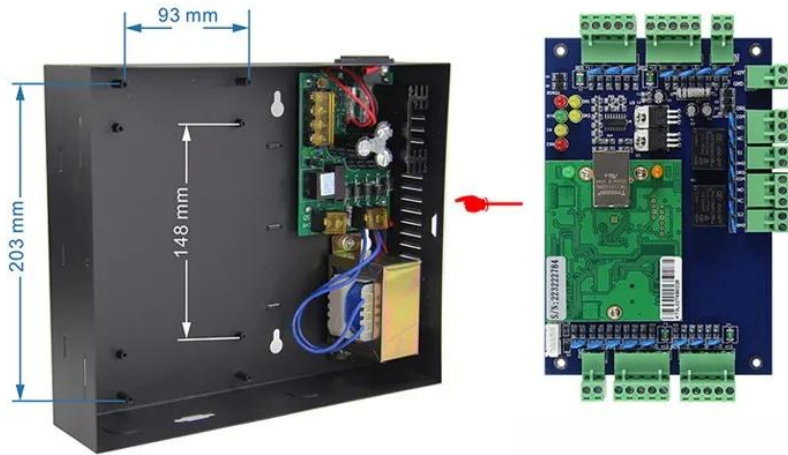
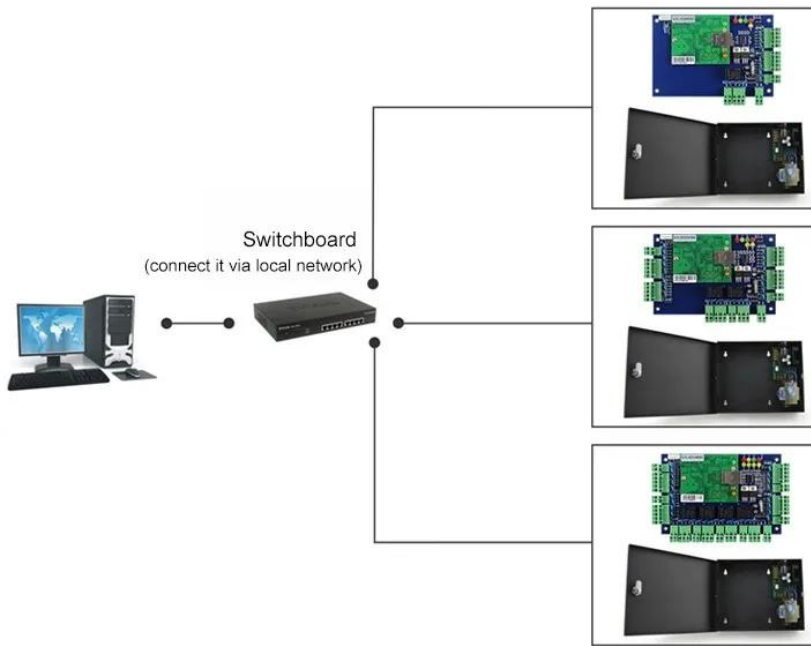
Factory



Aviation

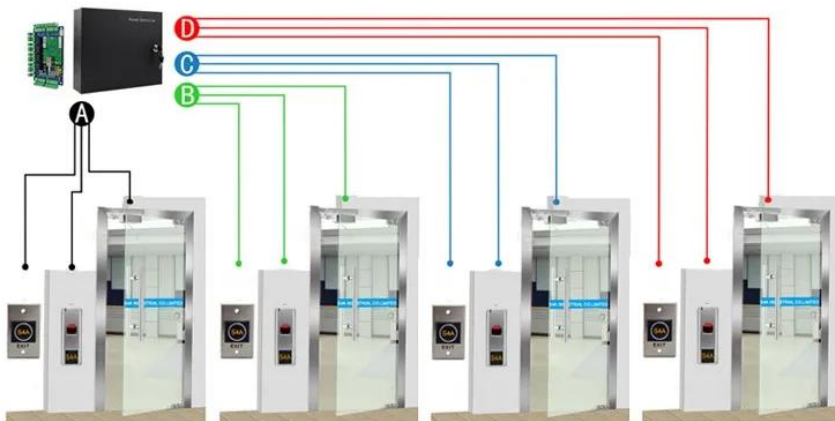


School



Kindly remind:

All network control board must configure with access power supply.
1 board for 1 power supply



ACM-WEG04

Four doors 1 way: Control 4doors (Enter by Swipe cards and Exit by Push button)

Packing & Delivery

Every order we will check the quality firstly to ensure our customer get the best product. Our staff will pack it carefully to avoid the damage of transportation. We will ship every goods out as soon as possible.



Shipping Way (Just for new customers reference)

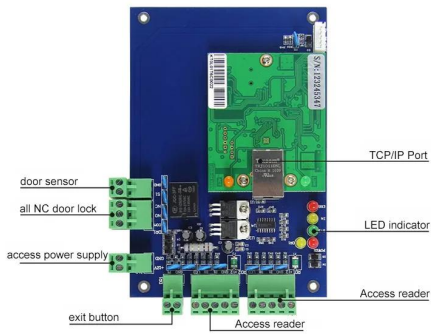
We are one of the leading exporter of RFID products in China since 2000 years . With rich international trade experience we know the international shipping very well , We know which express or air/sea line is cheap and safe to your country . We can supply various certificate for you to clean your custom to such as CO , FTA , Form F , Form E ...Ect . We wil provide our professional suggestion for your shipping . EXW , FOB , FCT , CIF , CFR ...trade term are ok for us . We can be your reliable partner for products and shipping .

We are professional comprehensive security access control products supplier with 20 years experience, we make sure to offer the best solution of access control system solution! So, send your inquiry details in the below, ccontact us now!!

We are looking forward to forming successful business relationships with new clients around the world in

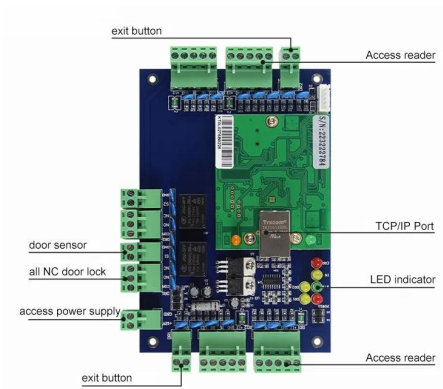
the future.

Related Products



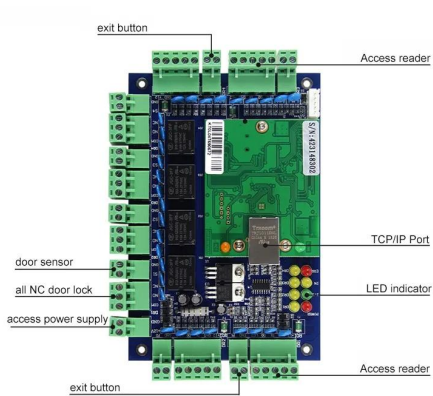
ACM-WEG01

It can control 1 door.



ACM-WEG02

It can control 2 door.



ACM-WEG04

It can control 4 door.

You May Like



ACM-K2A/B

No touch Door Release Exit Button
with led

ACM-Y180

Surface mounted magnetic lock
(180kg)

ACM-Y806-5A

Power supply 5A for access control



ACM225

Touch Keypad RFID Access Control
12khz

ACM-210

Metal Waterproof RFID Wiegand
Access Control

ACM26X

125Khz EM Card RFID Reader Size:
115mm×75.5mm×16.8mm

Our Service

- 1, Any inquires will be replied within 24 hours
- 2, Professional manufacturer and supplier, Welcome to visit our website and our factory
- 3, OEM/ODM Available
- 4, High quality, fashin desing, reasonable & competitive price, fast lead time
- 5, After-sale Service :
 - 1), All products will have been strictly quality checked in house before packing
 - 2), All products will be well packed before shipping
 - 3), All our products have 2-3 year warranty if the damage is not caused by human
- 6, Faster delivery : Around 1~ 5 days for sample order, 7~30 days for bulk order
- 7, Payment : You can pay for the order via : T/T, Western Union, Paypal,
- 8, Shipping: We have strong cooperation with DHL, FEDEX, TNT, UPS, EMS, Forwarder by SEA and By AIR, You also can choose your own shipping forwarder.

FAQ

Q: 1. How can I place an order?

A: Please list your requirement to us via mail. Then we will send the offer to you at earliest time,after order confirmation, we will arrange production ASAP.

Q: 2.What about the payment and shipment?

A: Trade Assurance and T/T ,Paypal, Western Union.
Clients can choose by sea, air or express(DHL, FedEx, TNT UPS etc.)

Q: 3. How can i get a sample to check your quality?

A:We could provide free sample to you, and the freight cost payed by you.

Q:4. How long can I expect to get the samples?

A: It depends on the quantity. Normally 3-7 days for 5000pcs and 7-15 days for 100,000pcs

Q:5. Can your products be customized?

A: Almost all of your products are customized ,including the materia, size, thickness and printing.
OEM orders are highly welcome.

Q:6.Are you a trading company or factory?

We are the one of the biggest manufacturer of RFID cards/NFC tags/RFID keybod /RFID wristband[]rfid reader and access control products in China more than 20 years.