



- 5.reader sensor with high sensitivity, less than 0.1 seconds
- 6.supports a password to open the door, stand-alone card capacity up to 1000
- 7.high-quality nickel alloy metal material, having a tamper alarm and door sensor alarm functions
- 8.exit button and doorbell input function

## Product Show

New design Biometric Fingerprint Standalone Access Controller outdoor rfid access control



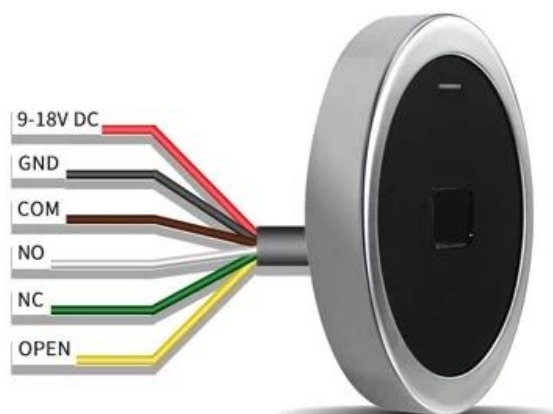
Mini Size: 105 x 69x 20mm

Card Type  
125KHZ EM Card  
1000 Users  
990 Card / Fingerprint Users  
10 Visitor Users

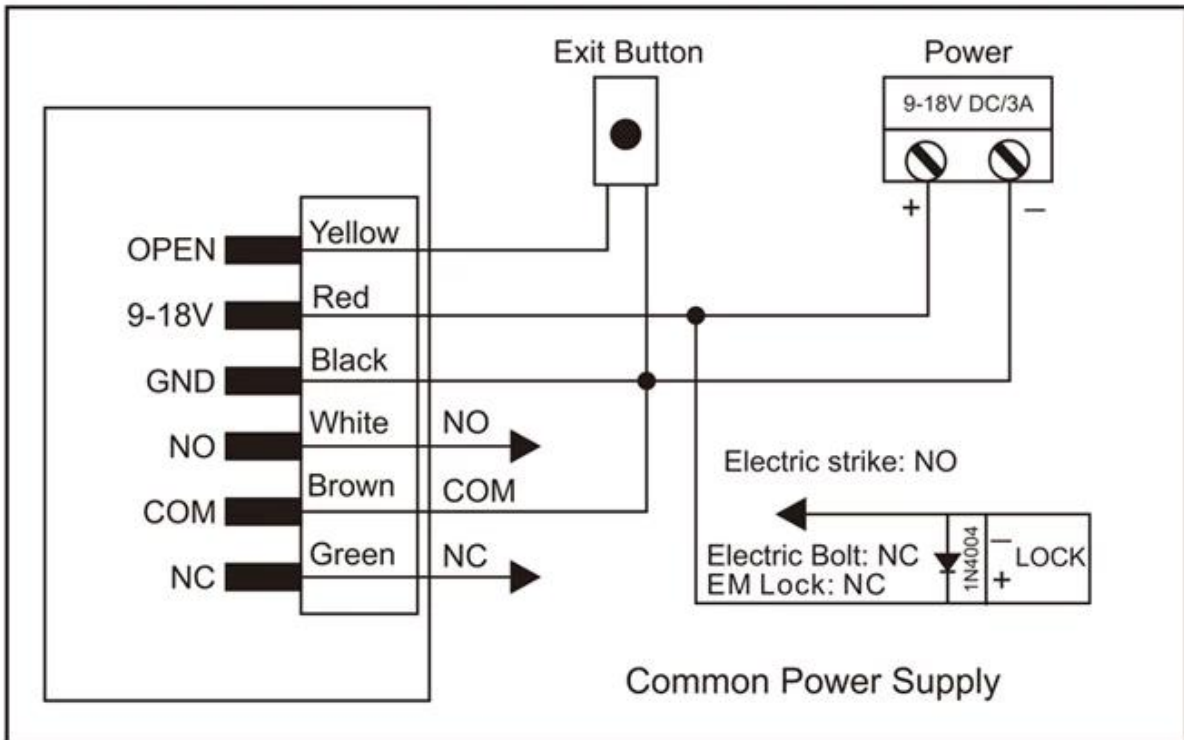


Waterproof,conforms to IP66

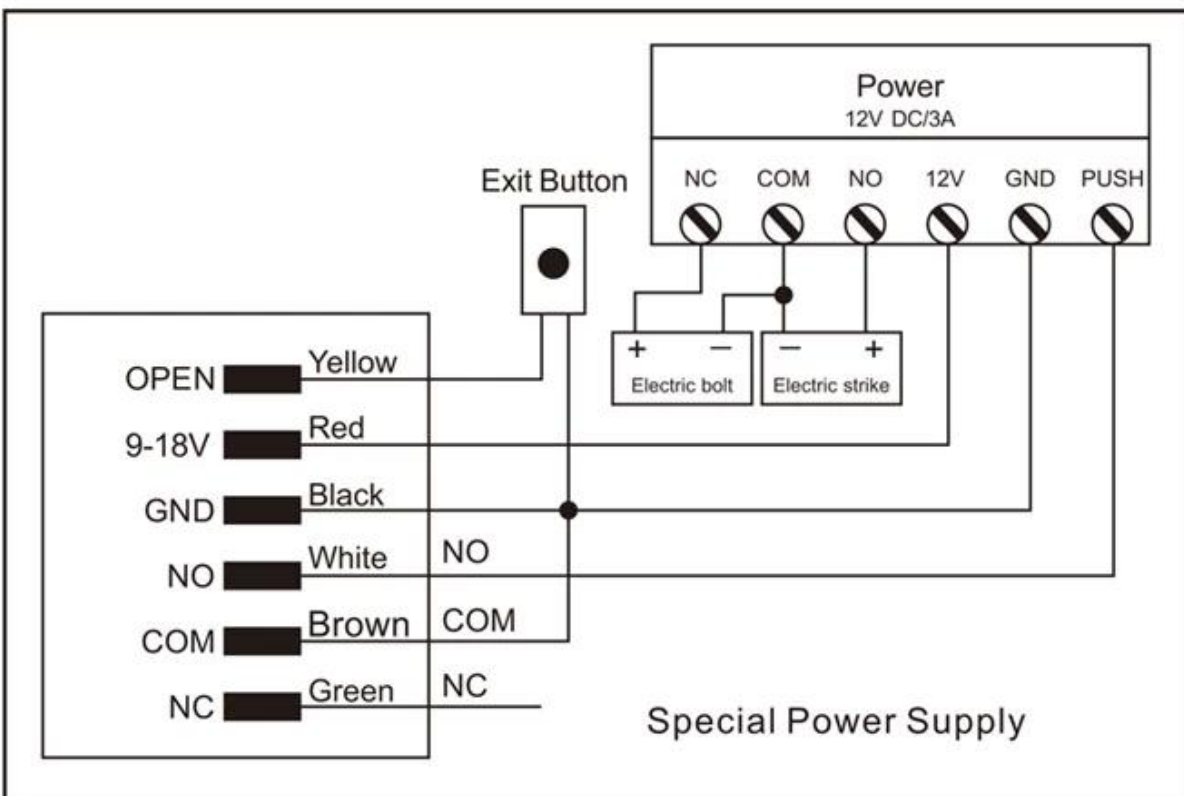
6 wires, easy installing

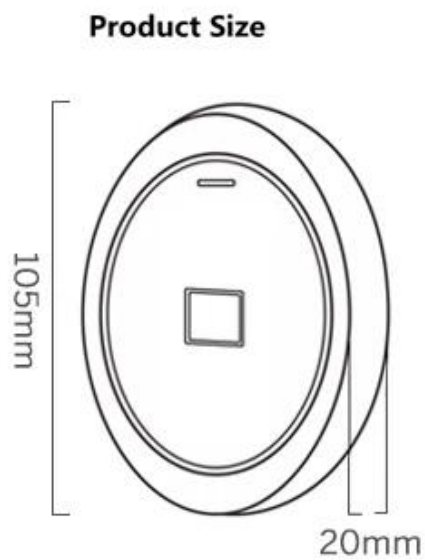


## Common Power Supply



## Special Power Supply





## Packing & Delivery

### Shipping Way

We have strong cooperation with DHL, FEDEX, TNT, UPS, EMS, Forwarder by SEA and By AIR  
You also can choose your own shipping forwarder.

Packaging

Keypad access control packaging: Normal packing

## You might like

We are manufacturers of professional access control, we have a complete product access control system as follows:





### **ACM223**

RFID touch keyboard and keyboard access control, capacity EM  
125/4000 US 125Khz

### **ACM209-NW**

Keyboard Access control to a metal RFID (not waterproof) door, 125Khz EM

### **ACM208**

RFID reader with single waterproof door and access control



### **ACM210**

Access control with single RFID  
metal door (not waterproof)

### **ACM225**

RFID touch control access control,  
125Khz EM, can connect the  
wiegand reader

### **ACM211B**

Touch keypad Metal case Waterproof  
RFID access control, Can connect the  
wiegand reader

## Our service

- 1, all questions will be answered within 24 hours
- 2, professional manufacturer and supplier, welcome to visit our website and our factory
- 3, OEM / ODM available
- 4, high quality, fashin desing, reasonable and competitive price, quick delivery time
- 5, after-sales service:
  - 1), all the products will have been strictly checked at home before packing
  - 2), all products will be well packed before shipment
  - 3), All our products have a 2-3 year warranty if the damage is not caused by human being
- 6, faster delivery : About 1 ~ 5 days for sample order, 7 ~ 30 days for bulk order
- 7, payment: You can pay for the order via: T / T, Western Union, Paypal, Ali commercial insurance
- 8, shipping: We have a strong partnership with DHL, FEDEX, TNT, UPS, EMS, freight forwarder by sea and by air, you can also choose your freight forwarder.

## FAQ

### **Q: 1. How can I place an order?**

A: List your needs by e-mail. Then we will send you the offer as soon as possible, after order confirmation, we will organize the production as soon as possible.

### **Q: 2. What about payment and shipping?**

A: Commercial warranty and T / T, Paypal, Western Union.  
Customers can choose by sea, air or express (DHL, FedEx, TNT UPS etc.)

### **Q: 3. How can I get a sample to check the quality?**

A: We could supply you free sample and the freight cost paid by you.

### **Q: 4. How long can I wait to get the samples?**

A: it depends on the quantity. Normally 3-7 days for 5000 pieces and 7-15 days for 100,000 pieces

### **Q: 5. Can your products be customized?**

A: Almost all your products are customized, including material, size, thickness and printing. OEM orders are welcome.

### **Q: 6. Are you a trading company or factory?**

We are one of the leading manufacturers of RFID cards / NFC tags / RFID keybod / RFID reader RFID reader and access control products in China for over 20 years.