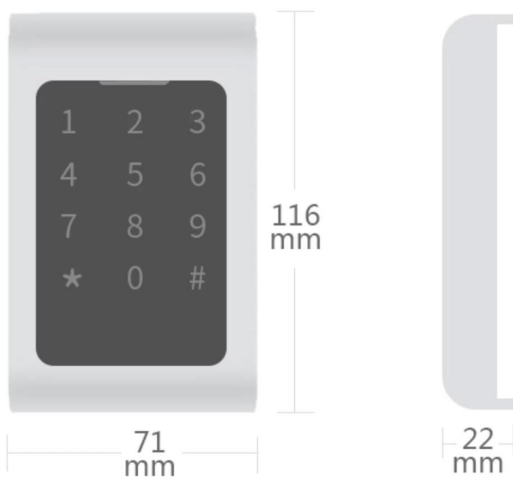


Product description



W
a
t
e
r
p
r
o
o
f
m
e
t
a
l
A
c
c
e
s
s
c
o
n
t
r
o
l
k
e
y
p
a
d

A
P
P
R
O
P
R
I
E
T
Y
C
O
N
T
R
I
B
U
T
I
O
N
S
U
N
I
V
E
R
S
I
T
Y

C
a
r
d
R
e
a
d
i
n
g
D
i
s
t
a
n
c
e
A
c
t
i
v
e
C
o
m
m
u
n
i
t
y
L
o
c
k
M
u
l
t
i
p
l
i
c
a
t
i
o
n
L
o
a
d

A
l
a
r
m
M
a
k
P
A
t
L
o
a
d
O
p
e
r
a
t
i
n
g
C
e
m
t
e
r
a
t
u
r
e
O
p
e
r
a
t
i
o
n
s
m
i
d
i
t
y

A
d
j
u
s
t
a
b
y
e
o
o
n
R
e
l
a
y
T
i
m
e
A
d
j
u
s
t
a
m
l
e
A
t
e
s
m
T
i
m
e

W
i
W
g
a
g
d
h
d
2
6
b
f
a
c
e

E
l
e
c
t
r
i
c
L
o
c
k
,
E
x
i
t
B
u
t
t
o
n
g
c
h
e
c
k
p
t
e
r
c
h
a
p
t
e
r
A
p
p
e
n
d
i
x
r
m
,
E
x
t
e
r
n
a
l
r
e
a
d
e
r

Benefit

1. Waterproof type, IP65
2. Strong Zinc Alloy Electroplated anti-vandal case.
3. Supports Card, PIN, Card+PIN.
4. Can be used as a stand alone keypad

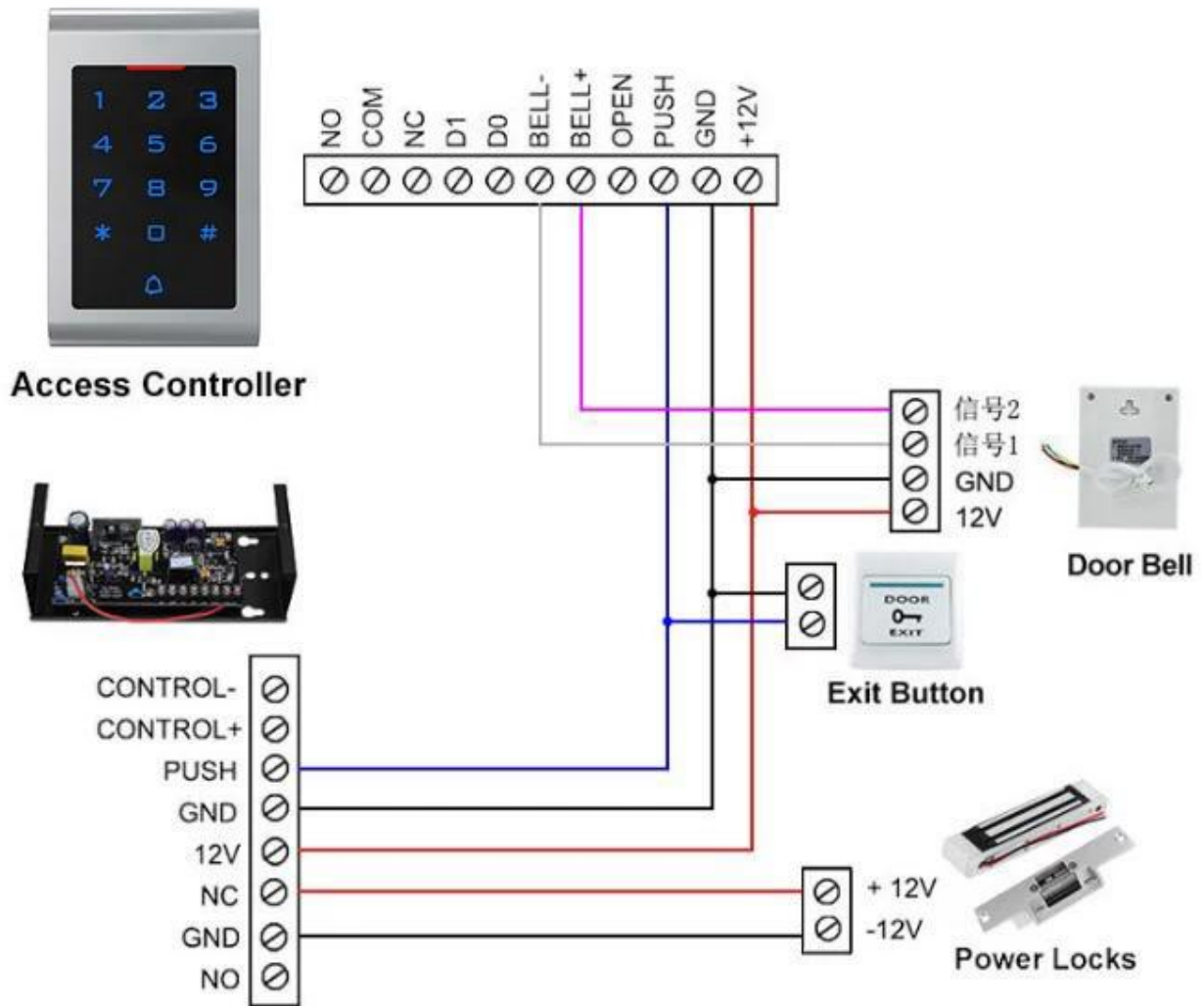
Product display





[Detailed image](#)

Supports Wiegand 26/34 output, can be used as access control to the card reader door



Our service

Our service

1. Any request will be answered within 24 hours
2. Professional manufacturer and supplier, welcome to visit our website and factory
3. OEM / ODM available
4. High quality, fashin desing, reasonable and competitive price, quick delivery time
5. after sales service:
 - A: All products will have been strictly checked in-house before packing
 - B: All the products will be well packed before shipping
 - C: All our products have a 2-3 year warranty if the damage is not caused by the human being
6. Faster delivery: about 1 ~ 5 days for sample order, 7 ~ 30 days for bulk order
7. Payment: you can pay for the order through: T / T, Western Union, Paypal, Ali commercial insurance
8. Shipping: we have a strong cooperation with DHL, FEDEX, TNT, UPS, EMS, forwarder by sea and by air, you can also choose your own forwarder.

Quality assurance

- The warranty service will be honored if the damage is not caused by the human being, ACM Goldbridge provides a 2 year warranty for the related products.

- On the contrary, ACM Goldbridge will further increase in case of repair.
- Further information, consult our service center.

Packaging and delivery



Shipping way

We work closely with DHL, FEDEX, TNT, UPS, EMS, forwarder of SEA and AIR
You can also choose your forwarder.

package

Keypad access control packaging: 1 unit per box, 100 pieces per carton,
Carton size: 45 * 31 * 28cm, Gross weight: 13kg.

Our company

ACM Shenzhen Goldbridge industrial company

As one of the leading exporters of RFID products in China, we have been present in this field for 20 years. We have rich experience in manufacturing and exporting RFID products. Our strength products are: RFID card, RFID remote control, RFID bracelet, RFID tag and various RFID readers. We are also the provider of access control solutions.



Contact

For any questions or requests please do not hesitate to let us know. We are confident that any information on your part will receive our prompt attention and response. You can contact us through Alibaba online or offline. Our offline contact information is as follows.



SHENZHEN GOLDBRIDGE INDUSTRIAL CO., LTD

Address: Futian District, Shenzhen of China

Telephone: +86-755-83767678

Contact Person: Lily Jiang

WhatsApp and Mobile Phone: +86-13554918707

Skype: lily-jiang1206

E-mail: sales@goldbridgesz.com

Website: <http://www.goldbridgesz.com>