



Bluetooth Outdoor Metal RFID PIN Keypad  
Access Controller

Convertible working modes, more  
possibilities . Standalone mode, controller  
mode, Reader Mode .

It is a widely used access control system  
entrances and exits at offices, factories,  
hotels, schools and other public places.All  
input/output uses anti-jamming protection  
and over-voltage/circuit protection.

## Specification

U  
P  
E  
N  
S  
A  
P  
A  
t  
t  
O  
t  
y  
N  
o  
r  
m  
a  
l  
U  
s  
e  
r  
s  
V  
i  
s  
i  
t  
o  
r  
U  
s  
e  
r  
s

0  
P  
e  
s  
y  
D  
C  
h  
g  
X  
s  
h  
A  
a  
g  
e  
I  
d  
l  
e  
C  
u  
r  
r  
e  
n  
t  
A  
c  
t  
i  
v  
e  
C  
u  
r  
r  
e  
n  
t

W  
è  
r  
a  
y  
©  
C  
o  
p  
y  
r  
i  
g  
h  
t  
s  
r  
e  
s  
e  
r  
v  
e  
d

Q  
R  
E  
A  
N  
D  
P  
N  
C  
S  
C  
a  
h  
h  
e  
R  
E  
I  
a  
Q  
Q  
a  
c  
p  
n  
d  
E  
I  
h  
e  
E  
o  
k  
O  
s  
d  
P  
fi  
a  
L  
b  
a  
p  
3  
A  
m  
p  
M  
a  
x  
i  
m  
u  
m

M  
a  
t  
t  
e  
r  
b  
r  
m  
6  
n  
4  
O  
P  
e  
b  
a  
C  
i  
n  
g  
T  
E  
m  
p  
4  
r  
E  
t  
h  
%  
R  
H  
p  
0  
%  
R  
H  
i  
n  
g  
H  
u  
m  
i  
d  
i  
t  
y

Ph  
m  
s  
i  
A  
h  
l  
S  
M  
E  
h  
a  
t  
e  
F  
u  
n  
e  
P  
h  
W  
u  
m  
e  
C  
o  
a  
b  
a  
s  
U  
h  
x  
6  
W  
6  
W  
S  
N  
t  
S  
H  
(  
P  
m  
)  
n  
S  
W  
S  
g  
G  
H  
G

## Advantage

### Bluetooth Metal Access Control

- \* Waterproof, conforms to IP66
- \* One relay, 1000 users
- \* Wiegand 26~37 bits input & output
- \* User data can be transferred by Wiegand line
- \* Access modes: Card, PIN, Card + PIN, Multi Cards/PINs, Mobile phone
- \* PIN length: 4~6 digits
- \* Pulse mode, toggle mode
- \* 2pcs device support interlock for two doors
- \* With Bluetooth, APP configuration

## Product Show

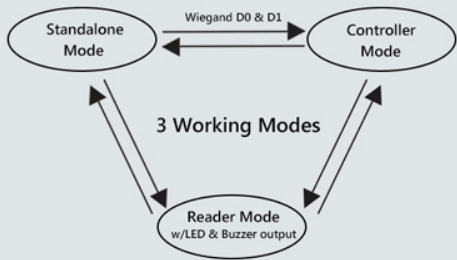






Various ways to open door  
make easy and safe entrance

Pressing a button, door opens!



Convertible working  
modes, more possibilities.

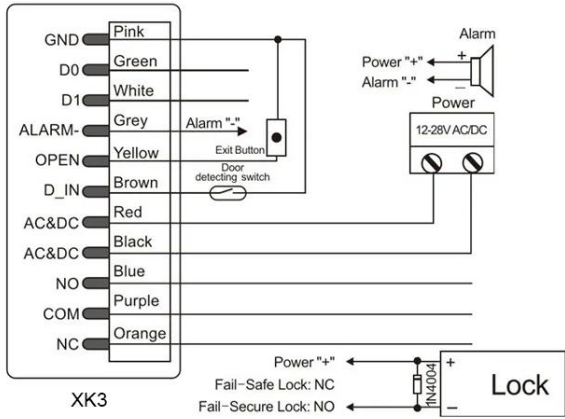
All key is metal, with hidden key frame



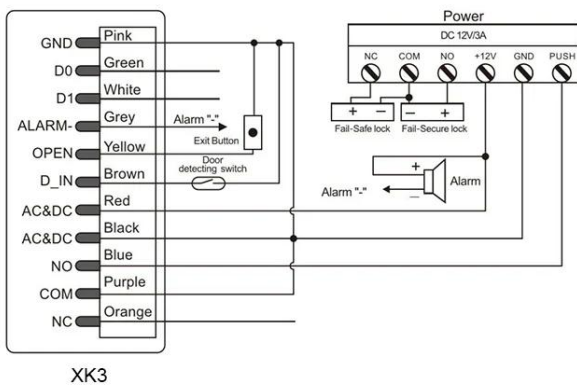
Wide Voltage Range:

**12 ~ 28**  
VOLTS VOLTS

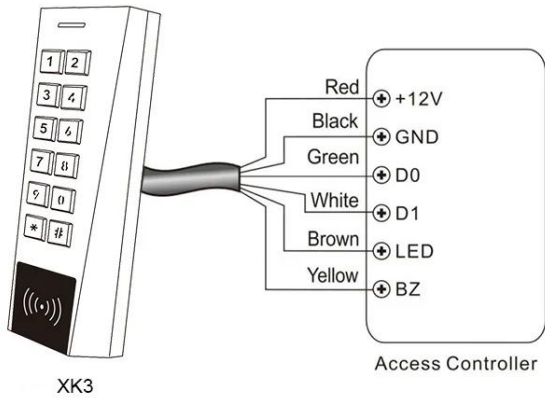
### Common Power Supply



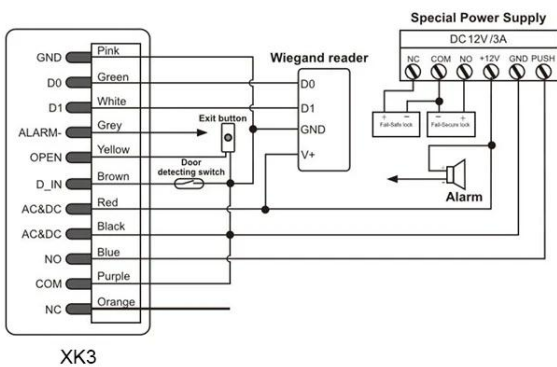
### Access Control Power Supply



### Work as Wiegand Reader



### Controller



## Packing & Delivery



To better ensure the safety of your goods, professional, environmentally friendly, convenient and efficient packaging services will be provided.

Our service

- 1, all questions will be answered within 24 hours
- 2, professional manufacturer and supplier, welcome to visit our website and our factory
- 3, OEM / ODM available
- 4, high quality, fashion desing, reasonable and competitive price, quick delivery time
- 5, after-sales service:
  - 1), all the products will have been strictly checked at home before packing
  - 2), all products will be well packed before shipment
  - 3), All our products have a 2-3 year warranty if the damage is not caused by human being
- 6, faster delivery : About 1 ~ 5 days for sample order, 7 ~ 30 days for bulk order
- 7, payment: You can pay for the order via: T / T, Western Union, Paypal, Ali commercial insurance
- 8, shipping: We have a strong partnership with DHL, FEDEX, TNT, UPS, EMS, freight forwarder by sea and by air, you can also choose your freight forwarder.

## FAQ

### **Q: 1. How can I place an order?**

A: List your needs by e-mail. Then we will send you the offer as soon as possible, after order confirmation, we will organize the production as soon as possible.

### **Q: 2. What about payment and shipping?**

A: Commercial warranty and T / T, Paypal, Western Union.  
Customers can choose by sea, air or express (DHL, FedEx, TNT UPS etc.)

### **Q: 3. How can I get a sample to check the quality?**

A: We could supply you free sample and the freight cost paid by you.

### **Q: 4. How long can I wait to get the samples?**

A: it depends on the quantity. Normally 3-7 days for 5000 pieces and 7-15 days for 100,000 pieces

### **Q: 5. Can your products be customized?**

A: Almost all your products are customized, including material, size, thickness and printing. OEM orders are welcome.

### **Q: 6. Are you a trading company or factory?**

We are one of the leading manufacturers of RFID cards / NFC tags / RFID keybod / RFID reader RFID reader and access control products in China for over 20 years.