

## Resettable Switch Call Point

### Model No: ACM-K3F

Model No.	ACM-K3F (LED/Buzzer)	EB-20G (Without LED)
Power Supply	DC 12V ~ DC 24V $\pm 5\%$	X
Operation current	DC 12V: 18mA(standby) / 75mA(operation) $\pm 5\%$	X
	DC 24V: 11mA(standby) / 41mA(operation) $\pm 5\%$	
Buzzer	Set as silent, interval buzzing, or continuous buzzing.	X
Indicator	Dual-color (red and green).	X
	Red indicator to set blinking, off or on.	
Output	N.O. □N.C & COM. Output (Maximum load of 125V/3A)	
Material	ABS, PC	
Dimensions	90L x 93W x 45H (mm)	
Weight	208g	192g

### Features

- > Red or green case to select (it is suggested to select a red case for the fire alarm system and the green case for access control system).
- > Resettable design, EB-20G obvious indicators around the edges of the unit.
- > Press the pressing plate to set the red indicator.
- > Pressing plate with status (green and red) shown.
- > Reversionary key with non-slip design.
- > Input power range from DC12-24V to connect with all types of fire alarm systems.
- > Built-in buzzer status to set as silent, interval wailing, or continuous wailing. The Volume is adjustable.
- > Easy to assemble, the outer case without screws, 3 sets of output points to connect other equipment, embedded or surface installations to select.

**STANDBY MODE:**

The light is green .

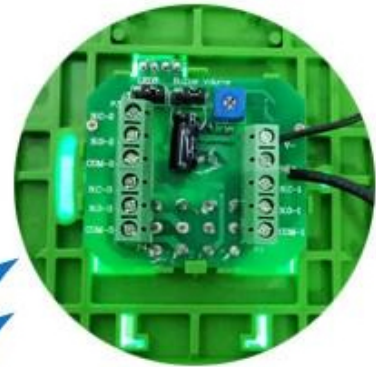


**OPERATION MODE:**

When pressing the reset button, the light will be red and the inside buzzer will ring.

# DOOR CONTROL SYSTEM DOOR BUTTON

High sensitivity, 0 misinformation, strong stability, nanowire impact.



Internal components



BACK



POSITIVE

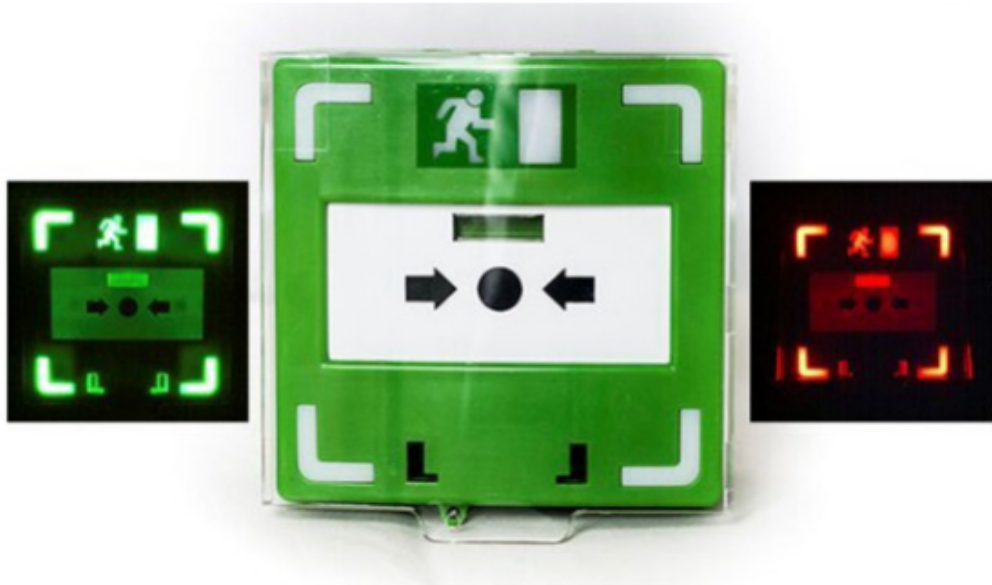
# PRODUCT

RATED VOLTAGE:  
12VDC / 24VDC



Active alarm

Manual call point  
Flashing and Alarm  
Built-in circuit board



**Characteristic**



Built-in buzzer



Tri-pole



Easy  
Wiring/Installation



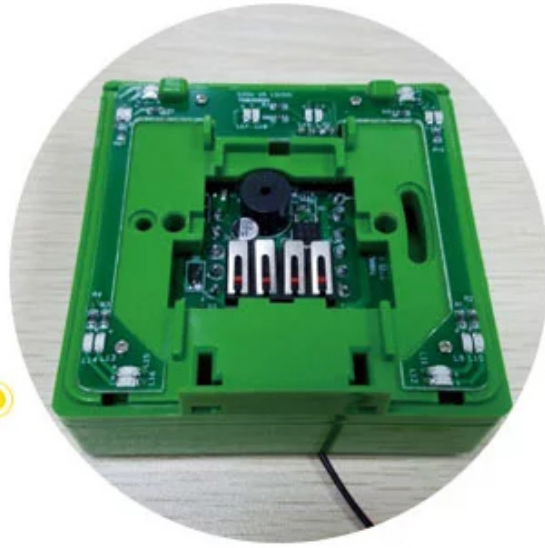
LED/BUZZER  
/Volume Adjustment



Lock hole for  
Professional Use



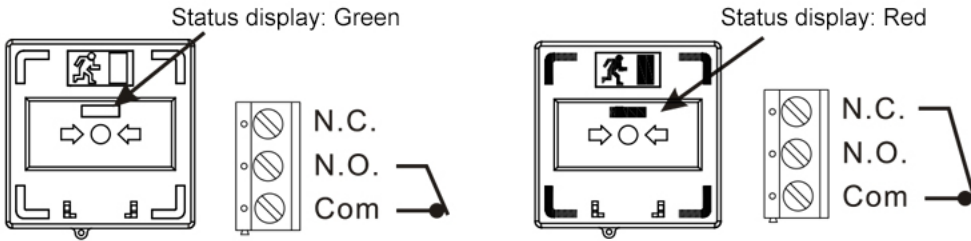
DETAIL DISPLAY



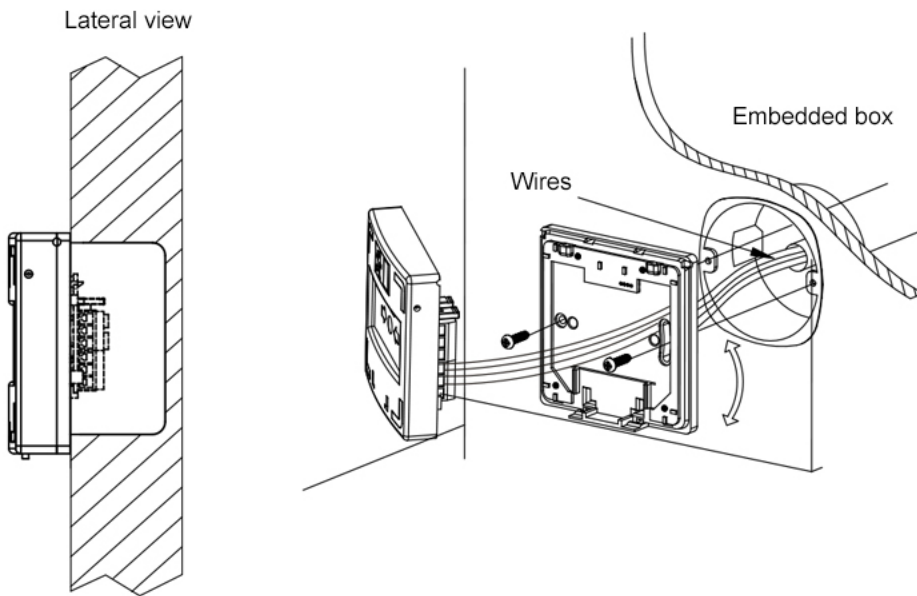
DETAIL DISPLAY



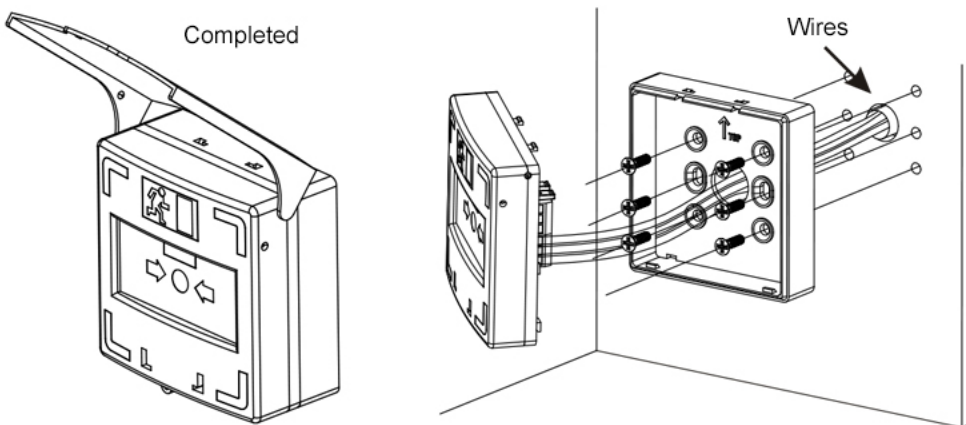
## Status



## Embedded Installation



## Surface Installation





## Resettable Switch Call Point

Model No.	Quantity/Carton	Gross Weight	Carton Size
ACM-K3F	48pcs	9.6KG	45x33x24cm

### Yours may need

We can supply many kinds of door switches. Touch, No touch, glass break, key switch. Click on the photo above to find more details. Or do not hesitate to send us a request to request the price list.







No touch Door Release Exit Button  
K2B: 86 \* 86mm  
No touch Door Release Exit Sensor  
K9A: 115 \* 40mm  
Door release button, (stainless steel,  
NO / NC) K5B: 86 \* 86mm





Door release button, (steel, aluminum, NO), K4B: 86 \* 86mm  
High quality Kirsite made of stainless steel. K14B: 86 \* 86mm  
PUSH door release button in stainless steel; K815B: 86 \* 86mm

## Our service

- 1, All inquiries will be answered within 24 hours
- 2, professional manufacturer and supplier, welcome to visit our website and factory
- 3, OEM / ODM available
- 4, high quality, fashion design, reasonable and competitive price, fast delivery time

5, after-sales service:

1), All products will have been strictly checked in house before packing

2), All products will be well packed before shipping

3), All of our products have 2-3 years warranty if the damage is not caused by man

6, faster delivery : About 1 ~ 5 days for sample order, 7 ~ 30 days for bulk order

7, payment: You can pay for the order via: T / T, Western Union, Paypal

8, Shipping: We have strong cooperation with DHL, FEDEX, TNT, UPS, EMS, Forwarder by SEA and By AIR, you can also choose your own forwarder.

## FAQ

### **Q: 1. How can I place an order?**

A: Please indicate your needs by email. Then we will send you the offer as soon as possible, after your order has been confirmed, we will arrange the production as soon as possible.

### **Q: 2. What about payment and shipping?**

A: T / T, Paypal, Western Union.

Customers can choose by sea, air or express (DHL, FedEx, TNT UPS etc.)

### **Q: 3. How can I get a sample to check the quality?**

A: We could provide you with free sample and the freight cost paid by you.

### **Q: 4. How long can I expect to get the samples?**

A: It depends on the quantity. Normally 3-7 days for 5000 pieces and 7-15 days for 100,000 pieces

### **Q: 5. Can your products be customized?**

A: Almost all of your products are customized, including material, size, thickness and printing. OEM orders are welcome.

### **Q: 6. Are you a trading company or a factory?**

We are one of the largest manufacturers of RFID cards / NFC tags / RFID keybods / RFID bracelet, RFID reader and access control products in China for over 20 years.