

Product Description



Buy Digital Hidden Small Handle Door Knob Electronic Lock

1.The smart lock with hybrid biometric recognition technology.

2.Provide high security unlock way by safety mode - Face+Fingerprint.

3.Reversible design to fit for all door open direction.

Rechargeable lithium battery .

P
a
P
a
m
e
t
e
r
D
e
s
a
m
e
p
e
r
o
n
Z
M
i
a
n
t
c
e
A
r
i
l
l
a
o
l
y

F
a
c
e
/
F
P
/
P
a
a
J
w
e
r
d
/
F
R
I
D
C
a
r
d
M
E
à
o
p
M
b
d
n
h
e
)
C
o
m
m
u
N
S
B
a
t
i
o
n

7
8
F
W
D
X
B
D
I
H
E
X
4

O
D
S
m
m
7
8
E
W
a
c
x
k
U
U
C
H
e
n
x
S
N
O
C
B
D
S
m
m

Detailed Images

Features:

- Accurate and high-speed face recognition in 1:N mode
- Capacitive touch screen with visual icon menu
- Equipped with SilkID fingerprint sensor
- Provide high security unlock way by safety mode - Face+Fingerprint
- Rechargeable lithium battery
- Reversible design to fit for all door open direction
- External terminals to draw back-up power from a 9V battery
- Smart alarm for low battery & illegal operation & Anti break-in

- Supported passage mode
- MF card module is optional



Face Recognition

ZK Face Algorithm V7.0
Verification Speed < 1s



Touch Screen

2.8 Inches Capacitive
Screen with Visual Menu



SilkID Sensor

PIV Certificate, Live Fingerprint
Detection (Dry, Wet, Rough).



Lithium Battery

The Rechargeable Battery Can Last
One Year When It Is Fully Charged



Mutiple language

English, Spanish, Portuguese
(Support Customization)



Mifare Card

Advanced Encryption
Technology



Smart Alarm

Low Battery Warning
& Illegal Operation.

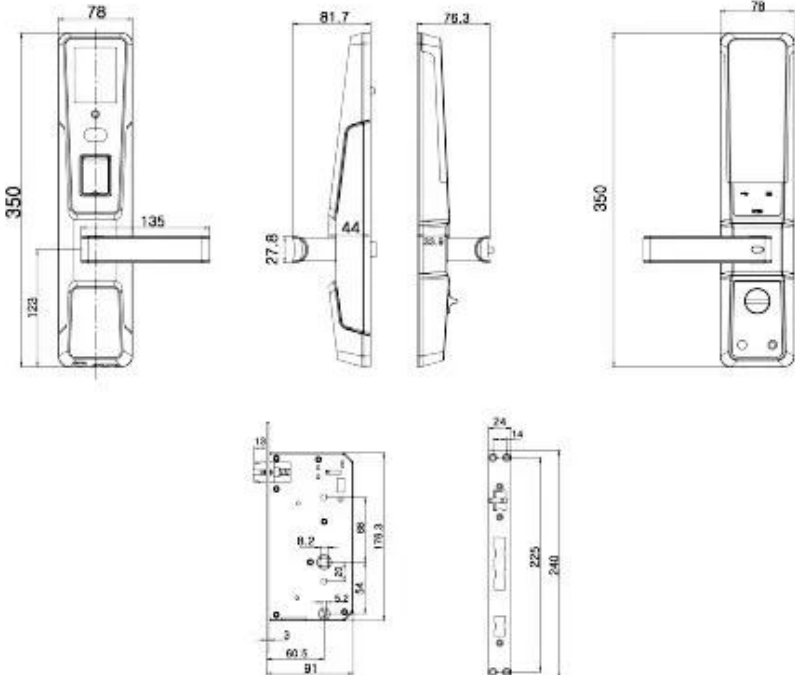


USB Port

Upload and Download
the Data via USB



Dimensions



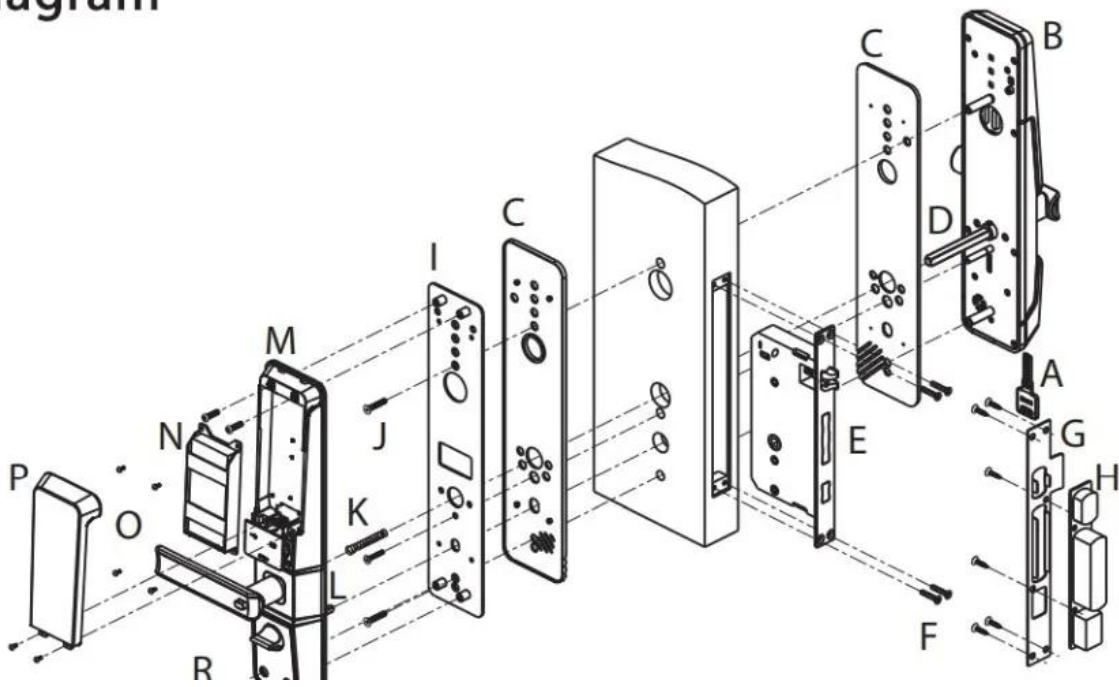
Silver



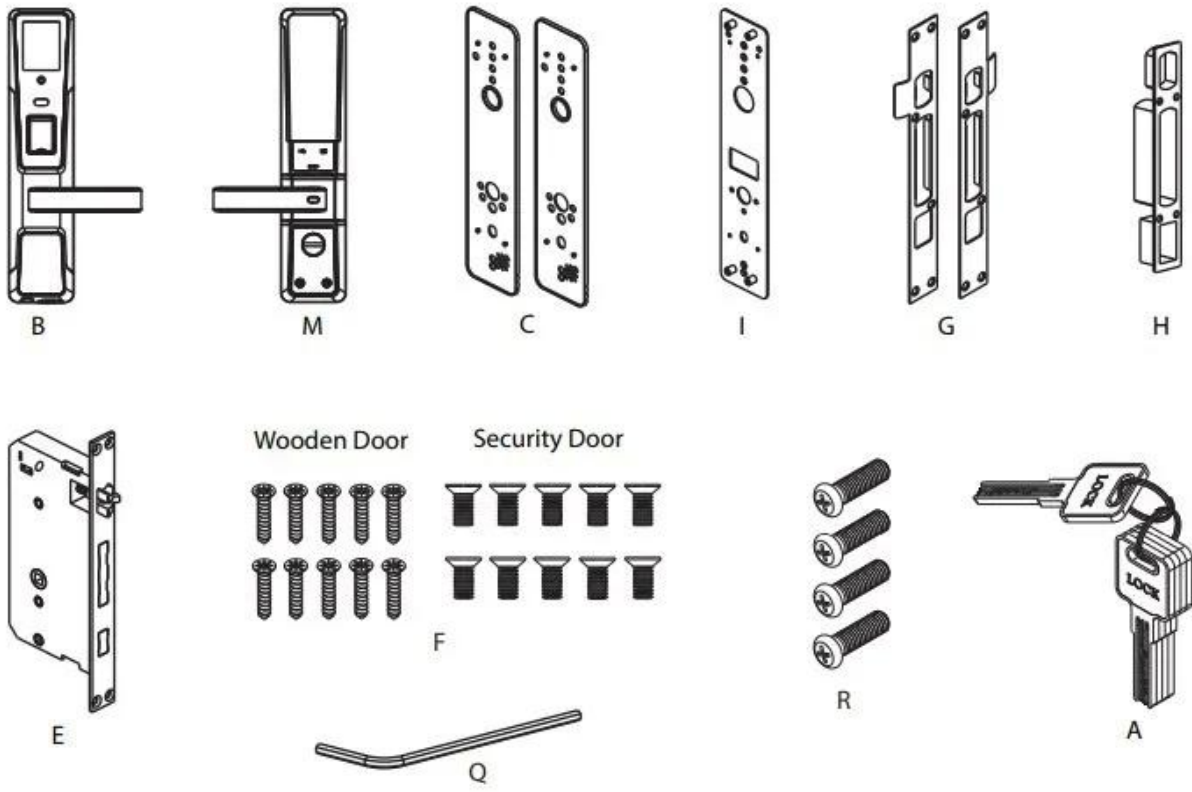
Gold



Diagram



Packing List



Packing & Delivery



Shipping Way (Just for new customers reference)

We are one of the leading exporter of RFID products in China since 2000 years . With rich international trade experience we know the international shipping very well , We know which express or air/sea line is cheap and safe to your country . We can supply various certificate for you to clean your custom to such as CO , FTA , Form F , Form E ...Ect . We wil provide our professional suggestion for your shipping . EXW , FOB , FCT , CIF , CFR ...trade term are ok for us . We can be your reliable partner for products and shipping .

Related Products





ACM-8011-3Y

RFID smart door lock

ACM-L100

Smart fingerprint door lock

ACM-S600

Economic fingerprint door lock





ACM-M100

Face recognition Fingerprint door lock



ACM-TI100

High quality fingerprint door lock

ACM-L200

Fingerprint RFID door lock

Our Service

- 1, Any inquires will be replied within 24 hours
- 2, Professional manufacturer and supplier, Welcome to visit our website and our factory
- 3, OEM/ODM Available
- 4, High quality, fashin desing, reasonable & competitive price, fast lead time
- 5, After-sale Service :
 - 1), All products will have been strictly quality checked in house before packing
 - 2), All products will be well packed before shipping
 - 3), All our products have 2-3 year warranty if the damage is not caused by human
- 6, Faster delivery : Around 1~ 5 days for sample order, 7~30 days for bulk order
- 7, Payment : You can pay for the order via : T/T, Western Union, Paypal.
- 8, Shipping: We have strong cooperation with DHL, FEDEX, TNT, UPS, EMS, Forwarder by SEA and By AIR, You also can

choose your own shipping forwarder.

FAQ

Q: 1. How can I place an order?

A: Please list your requirement to us via email. Then we will send the offer to you at earliest time,after order confirmation, we will arrange production ASAP.

Q: 2.What about the payment and shipment?

A: T/T ,Paypal, Western Union.

Clients can choose by sea, air or express(DHL, FedEx, TNT UPS etc.)

Q: 3. How can i get a sample to check your quality?

A:We could provide free sample to you, and the freight cost payed by you.

Q:4. How long can I expect to get the samples?

A: It depends on the quantity. Normally 3-7 days for 5000pcs and 7-15 days for 100,000pcs

Q:5. Can your products be customized?

A: Almost all of your products are customized ,including the materia, size, thickness and printing. OEM orders are highly welcome.

Q:6.Are you a trading company or factory?

We are the one of the biggest manufacturer of RFID cards/NFC tags/RFID keybod /RFID wristband,rfid reader and access control products in China more than 20 years.