

Product Description



Good Quality Hydraulic Automatic door king
automatic car door closer

Door closer is installed on the top of the unilaterally
opened door. It can be used on the wooden door,
steel door, fire door and places where security is
strictly required.

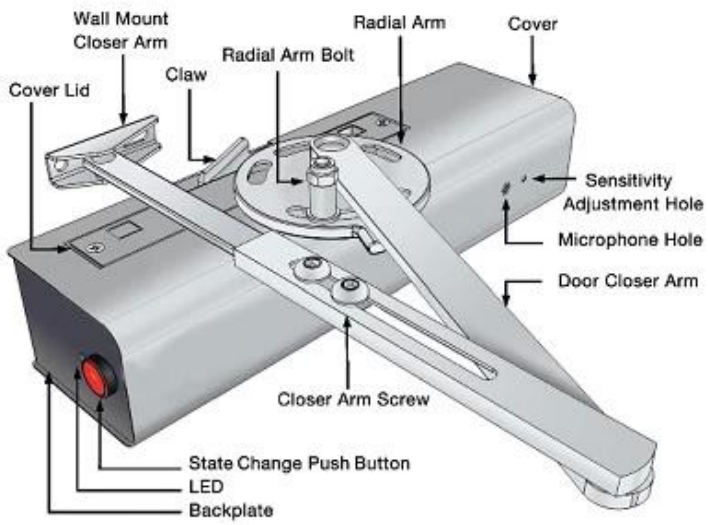
P
a
P
a
m
e
t
e
t
D
e
s
a
m
e
p
e
r
o
n

F
F
a
r
i
p
l
S
u
p
e
r
e
D
2
m
E
N
4

o
n
W
k
m
8
H
n
m
m
d
y
W
i
d
t
h
1
5
m
Ø
o
r
m
a
x

W
e
i
g
h
t
o
b
a
n
k
g
r
a
m
m
a
x
A
c
k
-
c
h
e
r
e
F
u
n
c
t
i
o
n
M
a
x
o
p
p
o
s
i
t
i
o
n
C
o
n
g
l
e

l
e
f
t
o
A
p
p
r
o
p
r
i
e
t
y
t
e
s
t
W
e
i
g
h
t



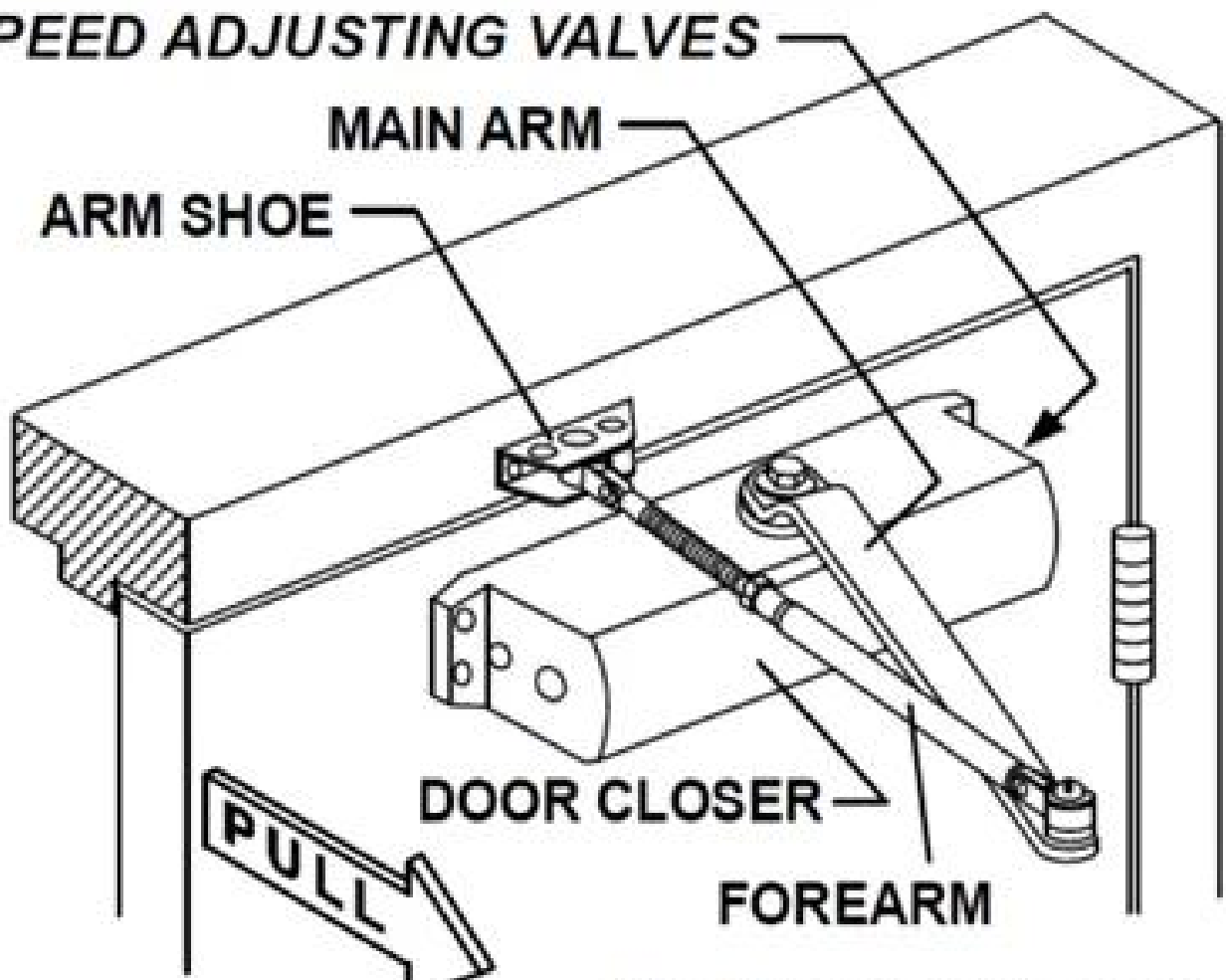


Door Closer [Detail picture](#) :

SPEED ADJUSTING VALVES

MAIN ARM

ARM SHOE



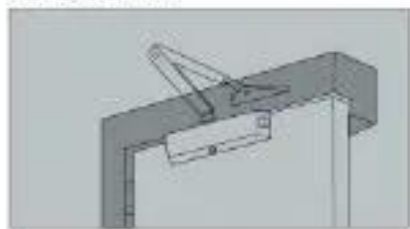
DOOR CLOSER

FOREARM

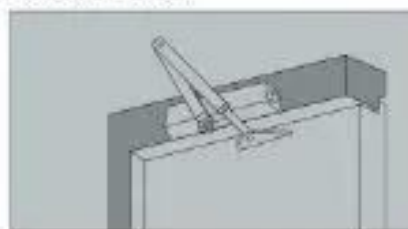
PULL →

(Left Hand Door)

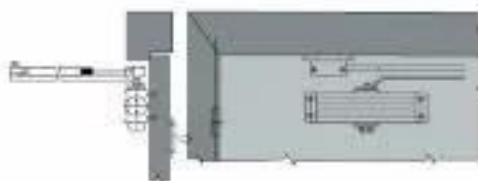
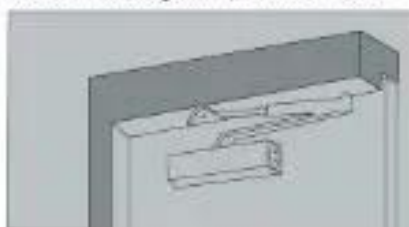
A 标准安装
Standard install



B 倒悬安装
Doorcase install



C 平行安装
Parallel rocking arm pedestal install



Packing&Delivery



RFID reader Shipping Way :

- 1 DHL ,FEDEX ,UPS ,TNT ; Door to door service
- 2 By air or by sea for bulk goods ; airport ,port receiving
- 3 Support customer specifying forwarder or shipping method
- 4 Delivery time : 2-7 working days . Accurate date based on your quantity .

You may need



ACM-Y100S 2PIN

ELECTRIC DROP BOLT LOCK
Standby 100MA / working
900MA Power to unlock, 2PIN

ACM-Y100S 5PIN

ELECTRIC DROP BOLT LOCK
Low temperature time-delay, feedback
signal Power to unlock, 5PIN

ACM-Y500A

Fail Safe Sturdiness Electronic

BoltW/Narrow DoorLock Size:
205x30x38mm



ACM-Y280

Surface mounted magnetic
lock(280kg/600lbs)

ACM-Y131

Stainless steel electronic Stripe
(NC/NO) For Wooden Door, Metal
Door,PVC Door

ACM-Y066

Intelligent Smart Lock (motor lock)

Lock size: 130x98x41mm Working

Our Service

- 1, Any inquires will be replied within 24 hours
- 2, Professional manufacturer and supplier, Welcome to visit our website and our factory
- 3, OEM/ODM Available
- 4, High quality, fashin desing, reasonable & competitive price, fast lead time
- 5, After-sale Service :
 - 1), All products will have been strictly quality checked in house before packing
 - 2), All products will be well packed before shipping
 - 3), All our products have 2-3 year warranty if the damage is not caused by human
- 6, Faster delivery : Around 1~ 5 days for sample order, 7~30 days for bulk order
- 7, Payment : You can pay for the order via : T/T, Western Union, Paypal.
- 8, Shipping: We have strong cooperation with DHL, FEDEX, TNT, UPS, EMS, Forwarder by SEA and By AIR, You also can choose your own shipping forwarder.

FAQ

Q: 1. How can I place an order?

A: Please list your requirement to us via email. Then we will send the offer to you at earliest time,after order confirmation, we will arrange production ASAP.

Q: 2.What about the payment and shipment?

A: T/T ,Paypal, Western Union.

Clients can choose by sea, air or express(DHL, FedEx, TNT UPS etc.)

Q: 3. How can i get a sample to check your quality?

A:We could provide free sample to you, and the freight cost payed by you.

Q:4. How long can I expect to get the samples?

A: It depends on the quantity. Normally 3-7 days for 5000pcs and 7-15 days for 100,000pcs

Q:5. Can your products be customized?

A: Almost all of your products are customized ,including the materia, size, thickness and printing. OEM orders are highly welcome.

Q:6.Are you a trading company or factory?

We are the one of the biggest manufacturer of RFID cards/NFC tags/RFID keybod /RFID wristband□rfid reader and access control products in China more than 20 years.