

Supply power	AC/DC 12V~36V
Static parameter	DC12V 22mA
Action current	DC12V 55mA
Transmit distance	1~15CM adjustable
Operation Frequency	38KHZ
Working environment humidity	-20°C~45°C
Dimension	113x63x20mm
Fixed way	Fixed with hidden screw
Total Weight	108G

Dimensions(mm)



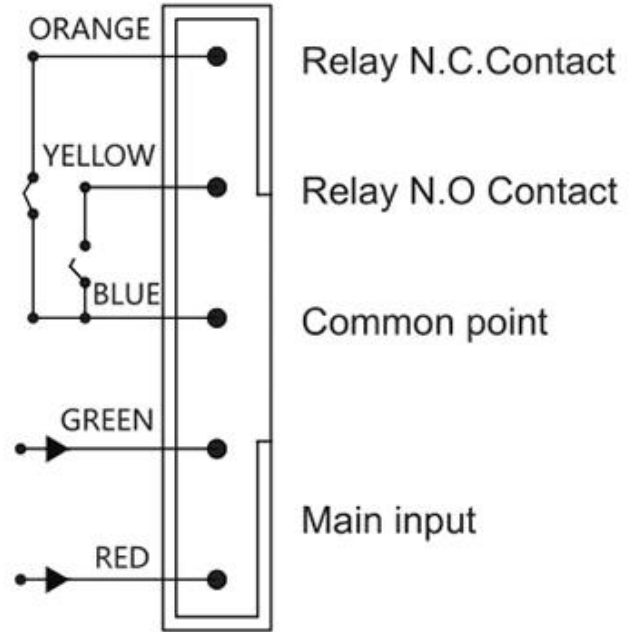


NC

NO

COM

AC/DC
12V~36V



Relay N.C.Contact

Relay N.O Contact

Common point

Main input